

265 ACX

2013

Spare parts

Ersatzteile

Pièces détachées

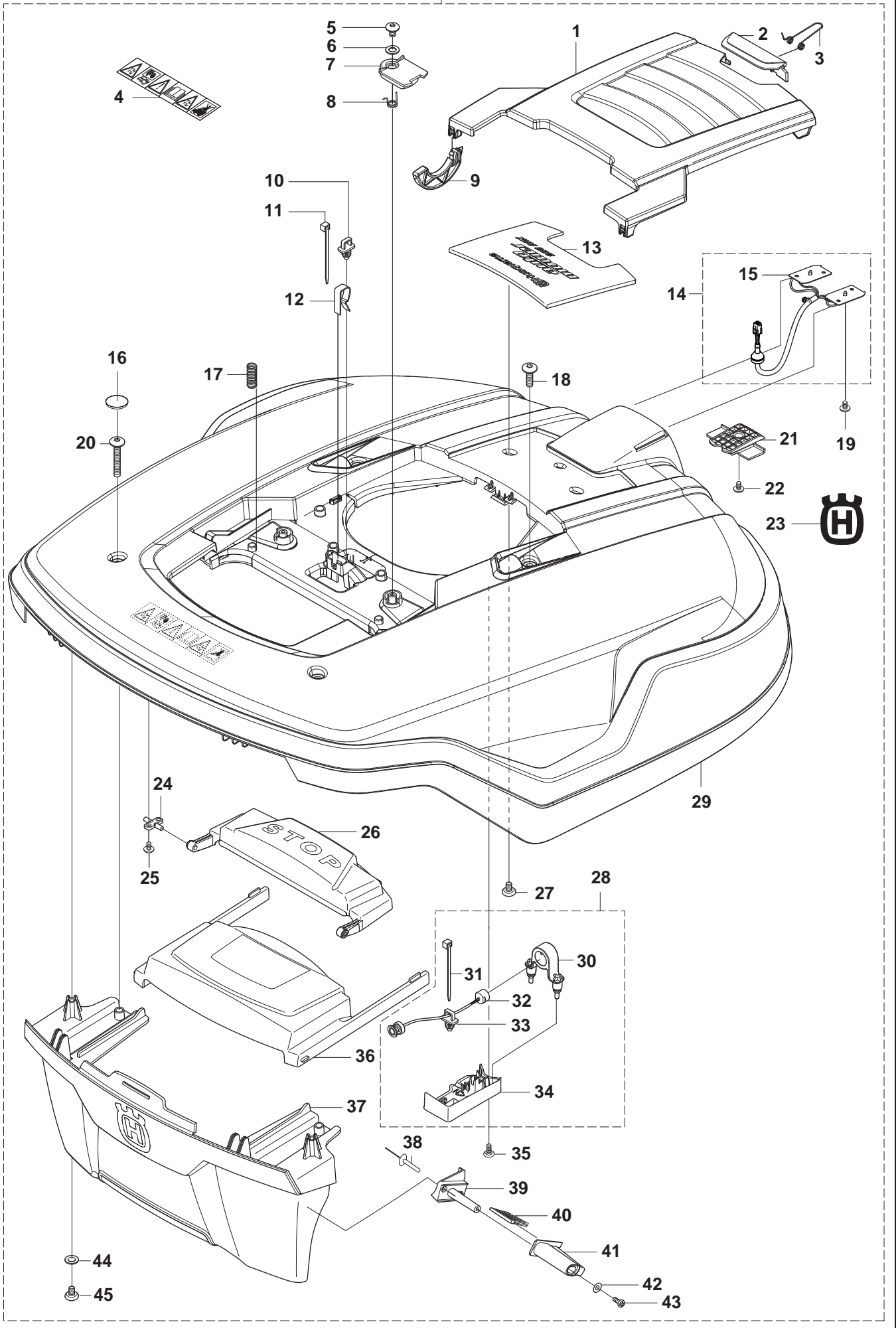
Reserve onderdelen

Repuestos

Reservdelar

A AUTOMOWER 265 ACX COVER

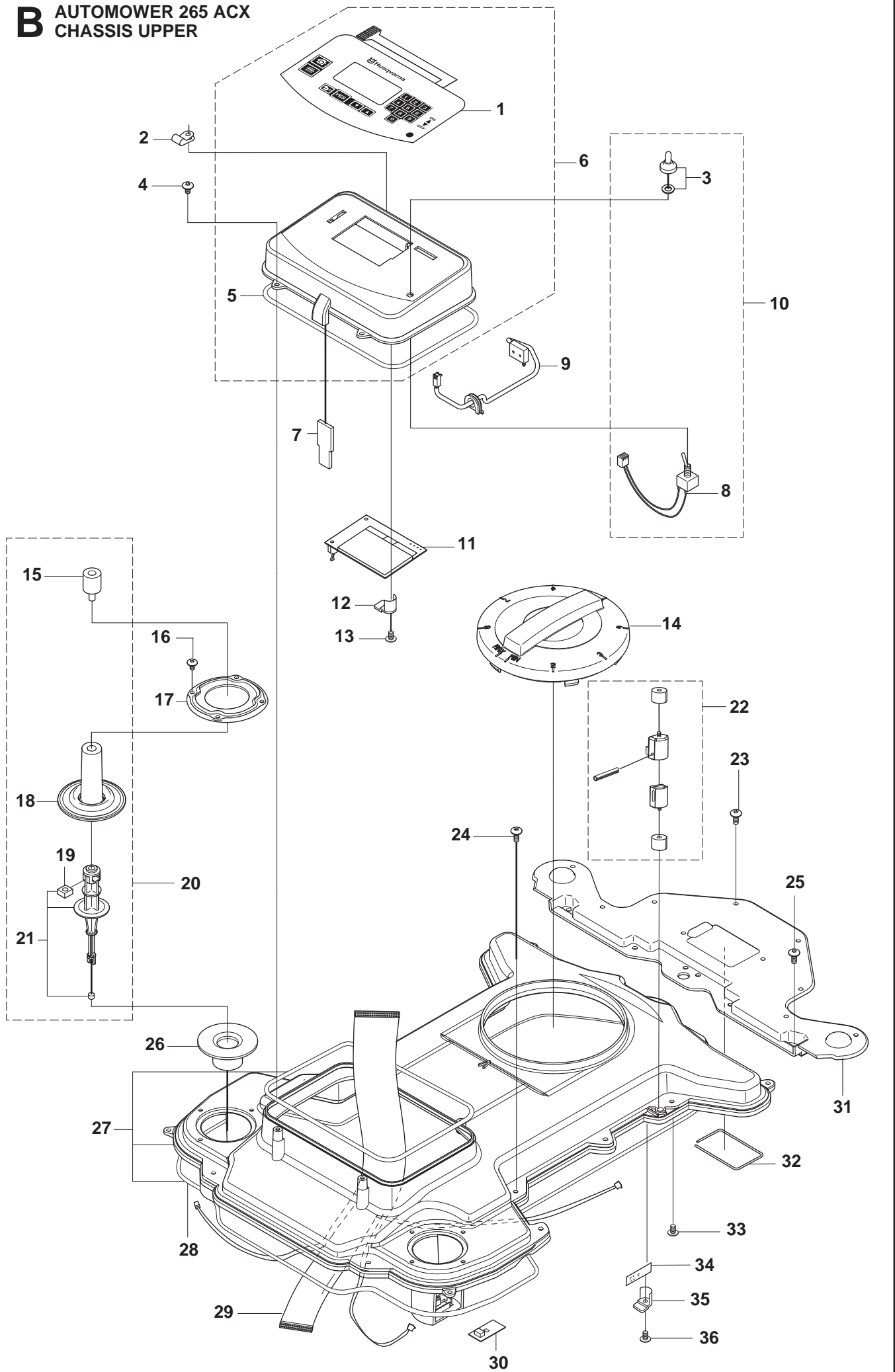
46



Page A AUTOMOWER 265 ACX COVER

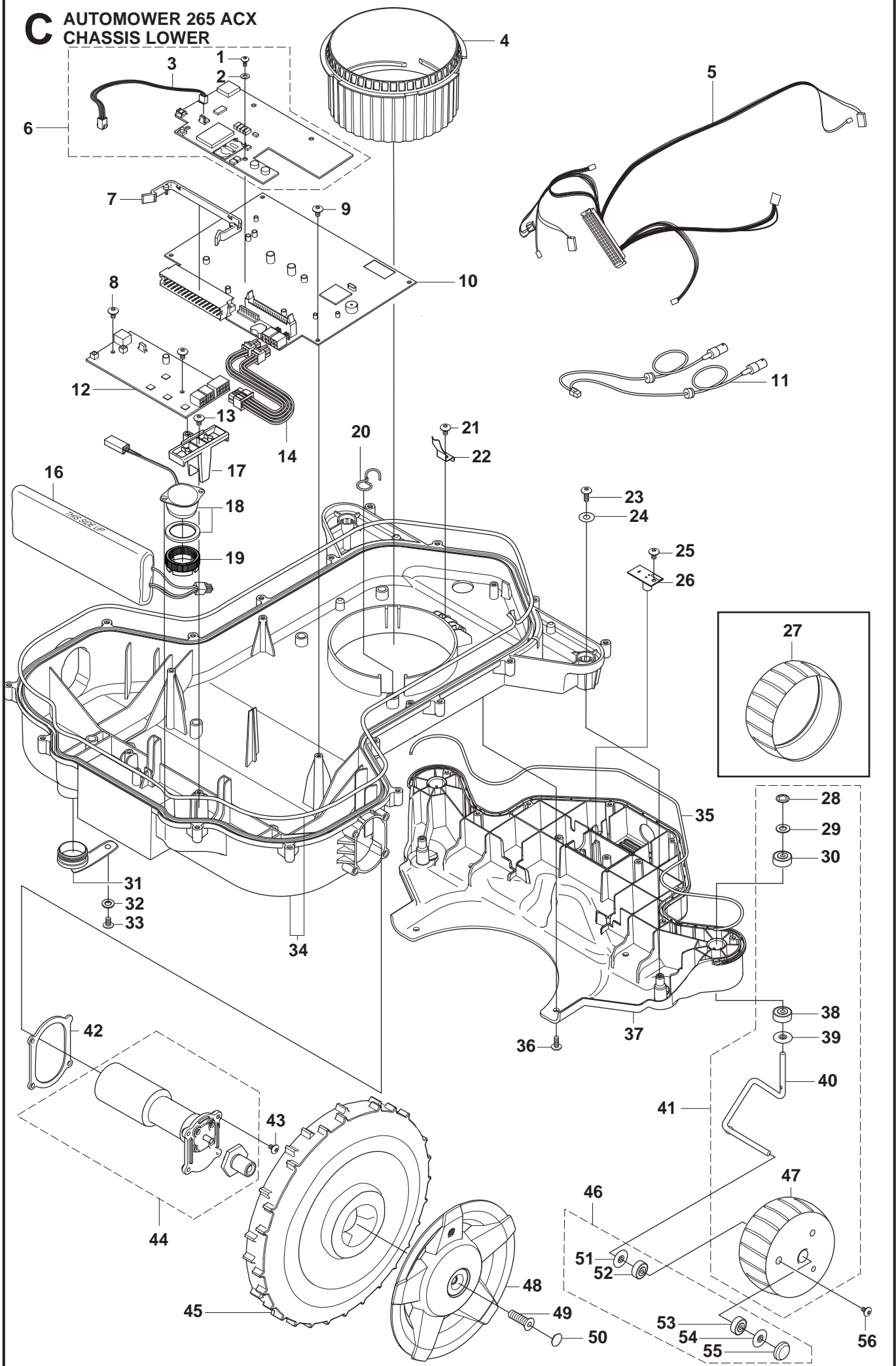
Position	Article	Quantity	Notes	Kit
1	510 14 38-01	1	LID	
2	510 14 39-01	1	LATCH	
3	535 13 57-01	1	TORSION SPRING	
4	522 79 27-02	1	LABEL WARNING	
5	575 54 33-10	2	SCREW, Silver 10mm	
6	734 11 37-41	2	WASHER	
7	535 12 68-01	2	LOCK CLAMP	
8	535 13 02-01	2	TORSION SPRING	
9	535 13 53-01	2	PIVOT	
10	535 13 04-01	1	ANCHOR	
11	900 23 87-08	1	TIE WRAP	
12	535 08 98-01	1	CLIPS	
13	578 78 58-01	1	PLATE	
14	535 13 73-04	1	WIRING	
15	535 13 59-01	2	CHARGING PLATE	14
16	521 93 61-01	4	COVER WASHER	
17	535 13 01-01	2	SPRING	
18	535 12 93-03	2	SCREW M6x25	
19	575 54 33-06	2	SCREW, White 6mm	
20	535 12 93-04	2	SCREW M6x60	
21	521 93 60-01	1	SPACER	
22	575 54 33-12	1	SCREW, Yellow 12mm	
23	574 38 21-01	1	DECAL	
24	535 12 78-01	2	SHAFT	
25	575 54 33-10	4	SCREW, Silver 10mm	
26	510 14 40-01	1	BUTTON	
27	575 54 33-12	2	SCREW, Yellow 12mm	
28	578 90 33-01	1	KIT, ULTRA SONIC SENSORS	
29	510 14 34-01	1	COVER	
30	578 89 37-01	1	SUPPORT, Ultra Sonic	28
31	900 23 87-08	1	TIE WRAP	28
32	523 05 59-02	2	WIRING ASSY	28
33	535 13 04-01	1	ANCHOR	28
34	578 89 35-01	1	BRACKET, right	28
34	578 89 35-02	1	BRACKET, left	28
35	575 54 33-14	4	SCREW, Grey 14mm	
36	535 12 66-02	1	COVER	
37	510 14 37-02	1	MAIN BODY	
38	505 16 16-01	4	RIVET	
39	575 49 18-01	1	BRACKET, right	
39	575 49 71-01	1	BRACKET, left	
40	505 13 25-02	2	BRUSH, Wheel	
41	575 49 10-01	2	BRUSH HOLDER, Wheel	
42	734 11 37-41	2	WASHER	
43	575 54 33-14	2	SCREW, Grey 14mm	
44	734 11 37-41	2	WASHER	
45	535 13 03-40	2	SCREW	
46	580 29 26-01	1	BODY, complete kit	

B AUTOMOWER 265 ACX CHASSIS UPPER



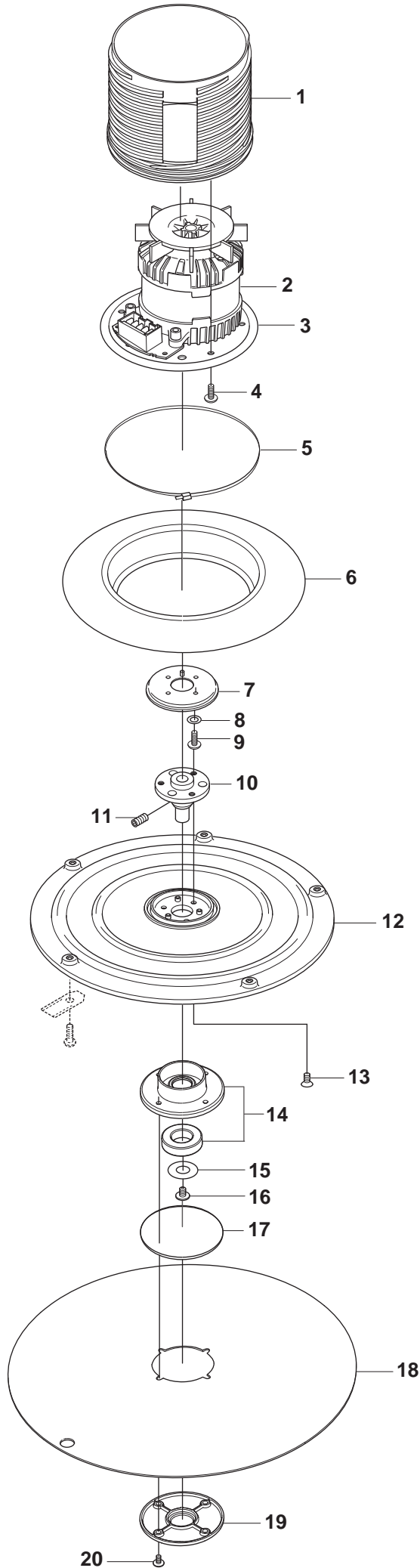
Position	Article	Quantity	Notes	Kit
1	522 98 59-01	1	KEYBOARD	6
2	577 52 72-01	1	CABLE CLAMP	
3	535 10 17-01	1	CAP	10
4	574 45 01-01	4	SCREW	
5	575 98 63-01	1	SEALING STRIP (10 pcs)	6, 27
5	574 87 47-02	1	SEALING STRIP	
6	575 94 42-03	1	KIT, DISPLAY COVER	
7	535 14 47-01	1	FILTER	
8	535 12 39-01	1	MAIN SWITCH	10
9	577 59 23-01	1	SWITCH KIT	
10	535 12 39-01	1	KIT, MAIN SWITCH	
11	540 06 03-03	1	DISPLAY	
12	535 12 79-01	1	BRACKET	
13	575 54 33-14	1	SCREW, Grey 14mm	
14	535 12 22-01	1	STEERING WHEEL	
15	577 67 06-02	2	RUBBER DAMPER	20
16	575 54 33-14	8	SCREW, Grey 14mm	
17	505 17 43-01	2	RING FASTENER	
18	577 52 58-01	1	RUBBER GAITERS	20
19	503 22 66-01	2	SQUARE NUT	19
20	577 59 84-02	2	KIT, COLUMN	
21	579 24 88-01	2	COLUMN	20
22	544 14 15-03	2	KIT, SENSOR	
23	575 54 33-14	10	SCREW, Grey 14mm	
24	574 45 01-01	12	SCREW	
25	574 45 01-01	4	SCREW	
26	535 14 32-01	2	DEFLECTION LIMITER	
27	575 94 38-01	1	CHASSIS	
28	575 98 62-01	1	SEALING STRIP (10 pcs)	27
28	574 87 47-01	1	SEALING STRIP	
29	544 12 69-01	1	WIRING	
30	578 78 90-01	2	PCB, Sensor board	
31	510 08 66-01	1	BRACKET	
32	522 03 93-02	1	SEALING RING	
33	535 07 60-02	2	SCREW, M6x10	
34	578 78 90-01	1	PCB, Sensor board	
35	535 12 79-01	1	BRACKET	
36	575 54 33-14	1	SCREW, Grey 14mm	

C AUTOMOWER 265 ACX CHASSIS LOWER



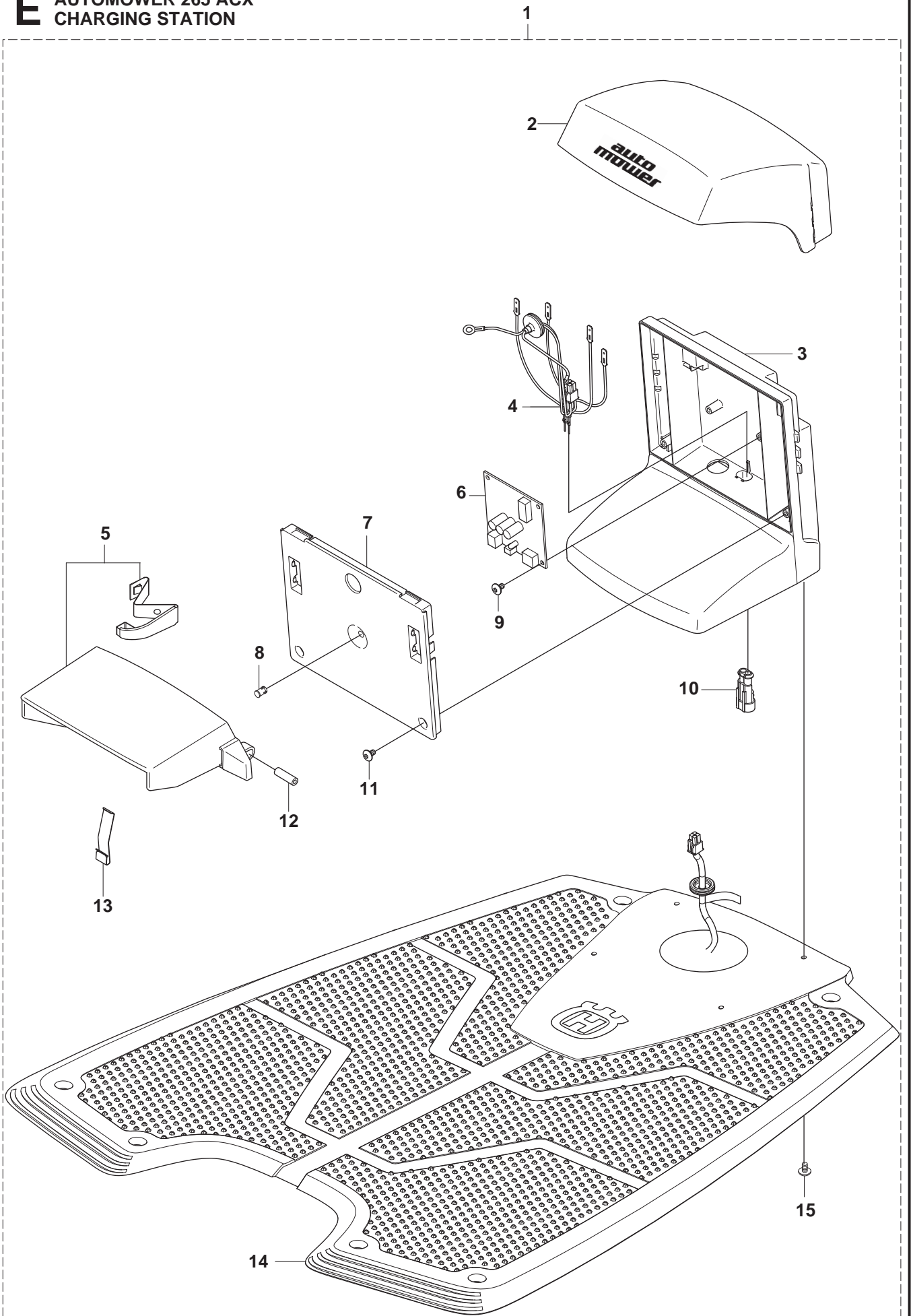
Position	Article	Quantity	Notes	Kit
1	522 59 71-01	2	SCREW	6
2	522 59 72-01	2	WASHER	6
3	576 21 94-01	1	LOOM	6
4	535 12 21-02	1	NUT	
5	501 00 37-04	1	MAIN WIRING	
6	575 24 24-03	1	KIT, GPS MODULE	
7	578 05 61-01	1	CLIP	
7	578 05 61-02	1	CLIP, 50 pcs	
8	575 54 33-12	2	SCREW, Yellow 12mm	
9	575 54 33-10	4	SCREW, Silver 10mm	
10	578 97 43-01	1	MAIN CIRCUIT BOARD (MCB)	
11	523 05 60-02	1	WIRING ASSY	
12	581 75 78-02	1	ULTRASONIC BOARD (PCB)	
13	575 54 33-14	2	SCREW, Grey 14mm	
14	578 89 84-01	1	LOOM	
16	578 84 87-02	2	BATTERY, Li-Ion	
17	579 73 42-01	2	BRACKET	
18	501 00 42-01	1	BUZZER	
19	579 52 12-01	1	NUT	
20	535 13 96-01	1	CABLE HOLDER	
21	535 13 03-14	2	SCREW	
22	535 12 24-01	2	LOCKING SPRING	
23	575 54 33-14	2	SCREW, Grey 14mm	
24	734 11 37-41	2	WASHER	
25	575 54 33-10	2	SCREW	
26	578 78 88-01	2	PCB, Sensor board	
27	574 44 98-01	2	WHEEL	47
28	576 01 93-01	2	LOCK WASHER	41
29	576 21 43-01	2	WASHER	41
30	510 14 46-01	2	BALL BEARING	41
31	574 42 74-02	1	PLUG	
32	734 11 37-41	1	WASHER	
33	575 54 33-14	1	SCREW, Grey 14mm	
34	575 94 39-02	1	CHASSIS	
35	522 03 93-01	1	SEALING RING	
36	575 54 33-14	4	SCREW, Grey 14mm	
37	510 08 67-02	1	BRACKET	
38	510 14 46-01	2	BALL BEARING	41
39	535 08 78-03	2	WASHER	41
40	505 19 35-01	2	SPINDLE	41
41	574 30 03-02	2	KIT, Front wheel	
42	535 13 92-03	2	GASKET	44
43	575 54 33-16	8	SCREW, Orange 16mm	
44	544 90 70-03	2	KIT, DRIVE MOTOR	
45	544 90 58-03	2	REAR WHEEL	
46	574 30 06-01	2	KIT, Bearing	41
47	575 23 17-01	2	WHEEL ASSY	41
48	544 90 51-02	2	HUB CAP	41
49	535 13 94-01	2	SCREW, M8x14	
50	504 20 08-01	2	COVER WASHER	
51	535 08 78-03	2	WASHER	41, 46
52	510 14 46-01	2	BALL BEARING	41, 46
53	510 14 46-01	2	BALL BEARING	41, 46
54	535 08 78-03	2	WASHER	41, 46
55	521 93 31-02	2	COVER WASHER	41, 46
56	575 50 76-01	6	SCREW	47

D AUTOMOWER 265 ACX
BLADE MOTOR
& CUTTING EQUIPMENT



Position	Article	Quantity	Notes	Kit
1	510 14 41-01	1	MOTOR BOWL	
2	522 51 06-02	1	CUTTING MOTOR	
3	510 14 42-01	1	DISC	
4	575 54 33-14	6	SCREW, Grey 14mm	
5	525 25 14-01	1	TIE WRAP	
6	535 12 23-01	1	RUBBER GAITERS	
7	510 06 62-01	1	COLLAR	
8	735 21 46-01	1	LOCK WASHER	
9	502 23 91-01	1	SCREW	
10	575 52 16-01	1	HUB	
11	728 83 60-01	1	SCREW, M6x6	
12	510 05 86-02	1	CUTTING DISC	
13	535 13 05-01	3	SCREW, M4x8	
14	577 35 76-01	1	BEARING KIT	
15	734 18 14-59	1	WASHER	
16	535 07 60-01	1	SCREW, M6x8	
17	575 54 72-01	1	O-RING	
18	575 52 19-01	1	SKID PLATE	
19	575 52 18-01	1	BEARING COVER	
20	575 52 95-01	4	SCREW	

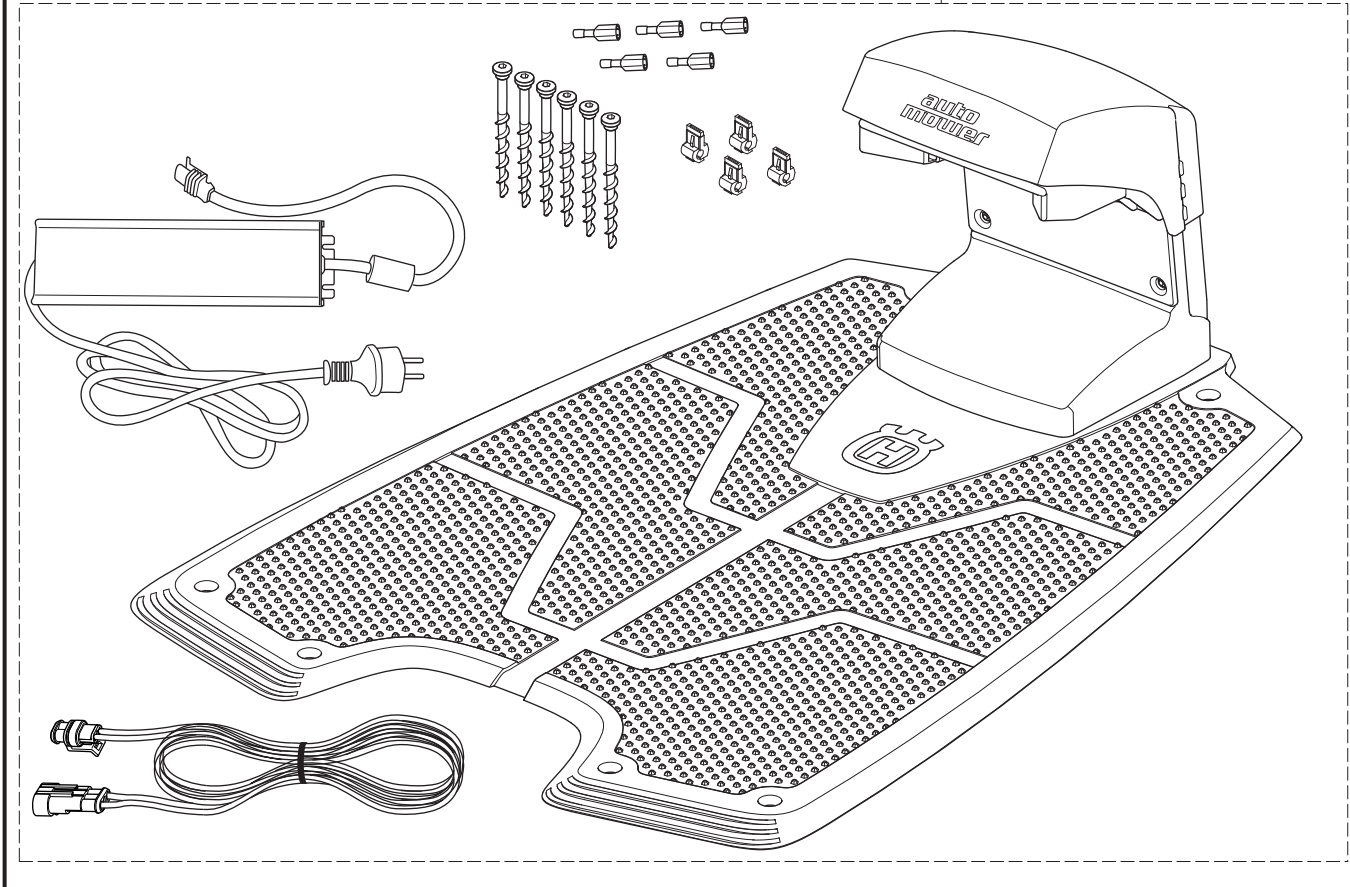
E AUTOMOWER 265 ACX
CHARGING STATION



Position	Article	Quantity	Notes	Kit
1	574 90 20-07	1	CHARGING STATION	
1	574 90 20-08	1	CHARGING STATION (CH)	
2	535 12 47-02	1	COVER	1
3	578 89 41-01	1	FRAME	1
4	544 98 38-08	1	WIRING ASSY	1
5	510 05 97-02	1	KIT, Charging Plate	1
6	578 78 84-01	1	PRINTED CIRCUIT ASSY	1
6	584 82 20-01	1	PRINTED CIRCUIT ASSY (CH)	1
7	535 12 44-01	1	CAP	1
8	535 12 87-02	1	DIODE LENS	1
9	575 54 33-10	2	SCREW, Silver 10mm	1
10	535 12 85-01	1	CONTACT HOUSING	1
11	575 54 33-14	2	SCREW, Grey 14mm	1
12	535 12 50-01	2	PIN	1
13	535 12 86-01	2	SPRING PLATE	1
14	575 23 16-01	1	ANTENNA PLATE	1
15	575 54 33-14	4	SCREW, Grey 14mm	1

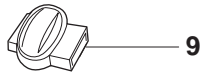
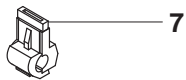
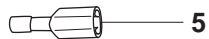
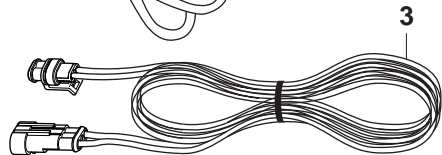
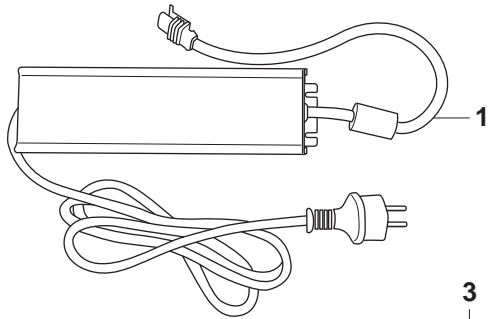
F AUTOMOWER 265 ACX
CHARGING STATION

1

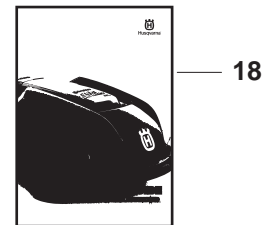
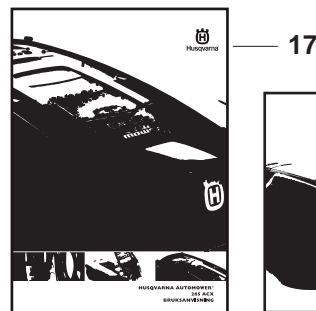
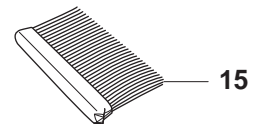
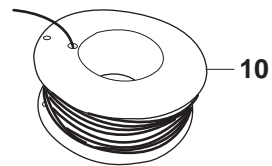
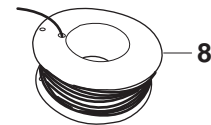
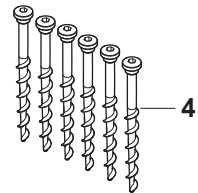
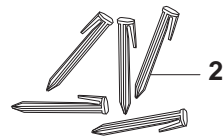
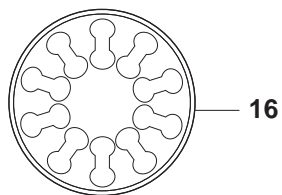
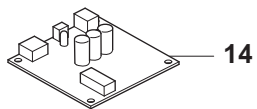


Position	Article	Quantity	Notes	Kit
1	579 57 28-01	1	CHARGING STATION, KIT (EU)	
1	579 57 28-02	1	CHARGING STATION, KIT (UK/IRL)	
1	579 57 28-03	1	CHARGING STATION, KIT (CH)	
1	579 57 28-04	1	CHARGING STATION, KIT (US/CA/MX)	
1	579 57 28-05	1	CHARGING STATION, KIT (AU/NZ)	

G AUTOMOWER 265 ACX ACCESSORIES



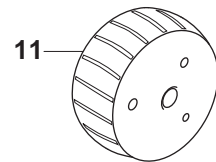
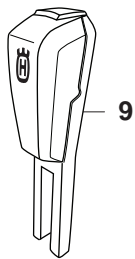
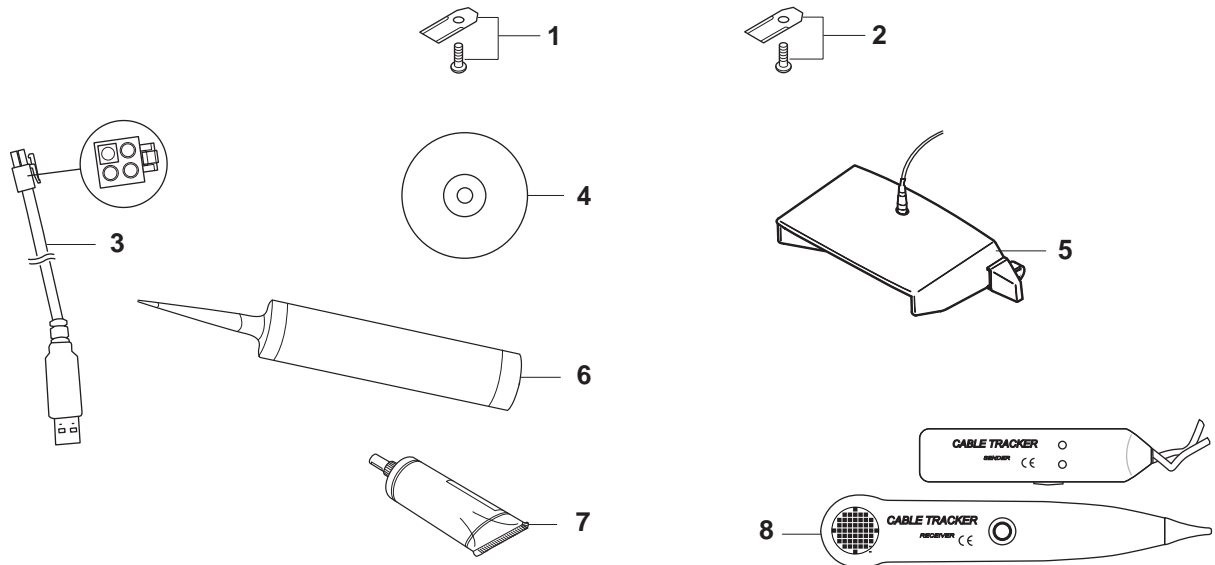
12



Page G AUTOMOWER 265 ACX ACCESSORIES

Position	Article	Quantity	Notes	Kit
1	578 27 53-01	1	CHARGER (EU)	
1	578 27 53-02	1	CHARGER (UK/IRL)	
1	578 27 53-03	1	CHARGER (CH)	
1	578 27 53-04	1	CHARGER (US/MX)	
1	578 27 53-05	1	CHARGER (AU/NZ)	
2	504 04 97-01	1	STAPLE, 100pcs	
2	577 86 42-01	1	STAPLE, Blister pack, 100pcs	
3	578 84 86-01	1	WIRING, 20m	
4	575 23 86-01	1	SCREW KIT	
4	577 86 49-01	2	SCREW KIT, Blister Pack, 3pcs	
5	529 28 08-01	1	TERMINAL	
6	501 98 03-02	1	WIRE, 150m	
6	577 86 43-01	1	WIRE, Blister pack, (150m)	
7	535 12 90-01	1	LOOP WIRE CONNECTOR	
7	577 86 48-01	1	LOOP WIRE CONNECTOR, Blister Pack, 5pcs	
8	501 98 03-01	1	WIRE, 250m	
9	501 98 02-01	1	COUPLER	
9	577 86 47-01	1	COUPLER, Blister pack, 5pcs	
10	522 91 41-01	1	WIRE, 500 m, Ø3.4 mm	
11	501 98 02-02	1	COUPLER, 50pcs	
12	525 63 70-01	1	MEASURING ROD	
13	577 91 40-01	1	LABEL	
14	584 82 20-01	1	CS CB Thunder lightning protection	
15	505 13 28-02	1	BRUSH, 6pcs	
16	581 84 28-01	1	STICKER, Cable markers	
17	115 53 40-01	1	OPERATOR'S MANUAL, Swedish	
17	115 53 40-06	1	OPERATOR'S MANUAL, Danish	
17	115 53 40-11	1	OPERATOR'S MANUAL, Finnish	
17	115 53 40-21	1	OPERATOR'S MANUAL, Norwegian	
17	115 53 40-26	1	OPERATOR'S MANUAL, English	
17	115 53 40-31	1	OPERATOR'S MANUAL, French	
17	115 53 40-32	1	OPERATOR'S MANUAL, French (Canada)	
17	115 53 40-36	1	OPERATOR'S MANUAL, Dutch	
17	115 53 40-41	1	OPERATOR'S MANUAL, Italian	
17	115 53 40-46	1	OPERATOR'S MANUAL, Spanish	
17	115 53 40-51	1	OPERATOR'S MANUAL, German	
17	115 53 40-56	1	OPERATOR'S MANUAL, Russian	
17	115 53 40-58	1	OPERATOR'S MANUAL, Hungarian	
17	115 53 40-59	1	OPERATOR'S MANUAL, Portuguese	
17	115 53 40-61	1	OPERATOR'S MANUAL, Polish	
17	115 53 40-63	1	OPERATOR'S MANUAL, Estonian	
17	115 53 40-64	1	OPERATOR'S MANUAL, Lettish	
17	115 53 40-65	1	OPERATOR'S MANUAL, Lithuanian	
17	115 53 40-68	1	OPERATOR'S MANUAL, Slovak	
17	115 53 40-84	1	OPERATOR'S MANUAL, Slovenian	
17	115 53 40-90	1	OPERATOR'S MANUAL, Czech	
17	115 53 40-95	1	OPERATOR'S MANUAL, English (EPA, CARB)	
17	115 53 40-96	1	OPERATOR'S MANUAL, Spanish (USA)	
18	115 42 55-01	1	QUICK GUIDE, Swedish	
18	115 42 55-06	1	QUICK GUIDE, Danish	
18	115 42 55-11	1	QUICK GUIDE, Finnish	
18	115 42 55-21	1	QUICK GUIDE, Norwegian	
18	115 42 55-26	1	QUICK GUIDE, English	
18	115 42 55-31	1	QUICK GUIDE, French	
18	115 42 55-32	1	QUICK GUIDE, French (Canada)	
18	115 42 55-36	1	QUICK GUIDE, Dutch	
18	115 42 55-41	1	QUICK GUIDE, Italian	
18	115 42 55-46	1	QUICK GUIDE, Spanish	
18	115 42 55-51	1	QUICK GUIDE, German	
18	115 42 55-56	1	QUICK GUIDE, Russian	
18	115 42 55-58	1	QUICK GUIDE, Hungarian	
18	115 42 55-59	1	QUICK GUIDE, Portuguese	
18	115 42 55-61	1	QUICK GUIDE, Polish	
18	115 42 55-63	1	QUICK GUIDE, Estonian	
18	115 42 55-64	1	QUICK GUIDE, Lettish	
18	115 42 55-65	1	QUICK GUIDE, Lithuanian	
18	115 42 55-68	1	QUICK GUIDE, Slovak	
18	115 42 55-84	1	QUICK GUIDE, Slovenian	
18	115 42 55-90	1	QUICK GUIDE, Czech	
18	115 42 55-95	1	QUICK GUIDE, English (EPA, CARB)	
18	115 42 55-96	1	QUICK GUIDE, Spanish (USA)	

H AUTOMOWER 265 ACX ACCESSORIES



Position	Article	Quantity	Notes	Kit
1	535 13 87-02	1	BLADE, Carbon steel, 9pcs	
1	577 86 44-01	1	BLADE, Carbon steel, Blister Pack, 9pcs	
1	535 13 88-02	1	BLADE, Carbon steel, 30pcs	
1	505 12 78-02	1	BLADE, Carbon steel, 500pcs	
2	577 60 64-02	1	BLADE, Carbon steel, Thick, 9pcs	
2	577 86 46-01	1	BLADE, Carbon steel, Thick, Blister Pack, 9pcs	
2	577 60 65-02	1	BLADE, Carbon steel, Thick, 30pcs	
2	577 60 66-02	1	BLADE, Carbon steel, Thick, 300pcs	
3	535 13 23-02	1	SERVICE CABLE (USB)	
4	577 85 81-02	1	AUTOCHECK EXP DVD	
5	522 73 65-01	1	PIN CODE TRANSFER UNIT	
6	578 05 13-02	1	GREASE TUBE, 300 ml	
7	578 05 13-01	1	GREASE TUBE, 85 ml	
8	577 60 68-01	1	INTERRUPTION DETECTOR	
9	522 42 58-01	1	SIGNAL BOOSTER	
10	522 91 66-01	1	BAG	
11	575 23 17-02	1	HEAVY WHEEL (400g)	
11	577 86 51-01	1	HEAVY WHEEL (400g), Blister pack, 2pcs	