

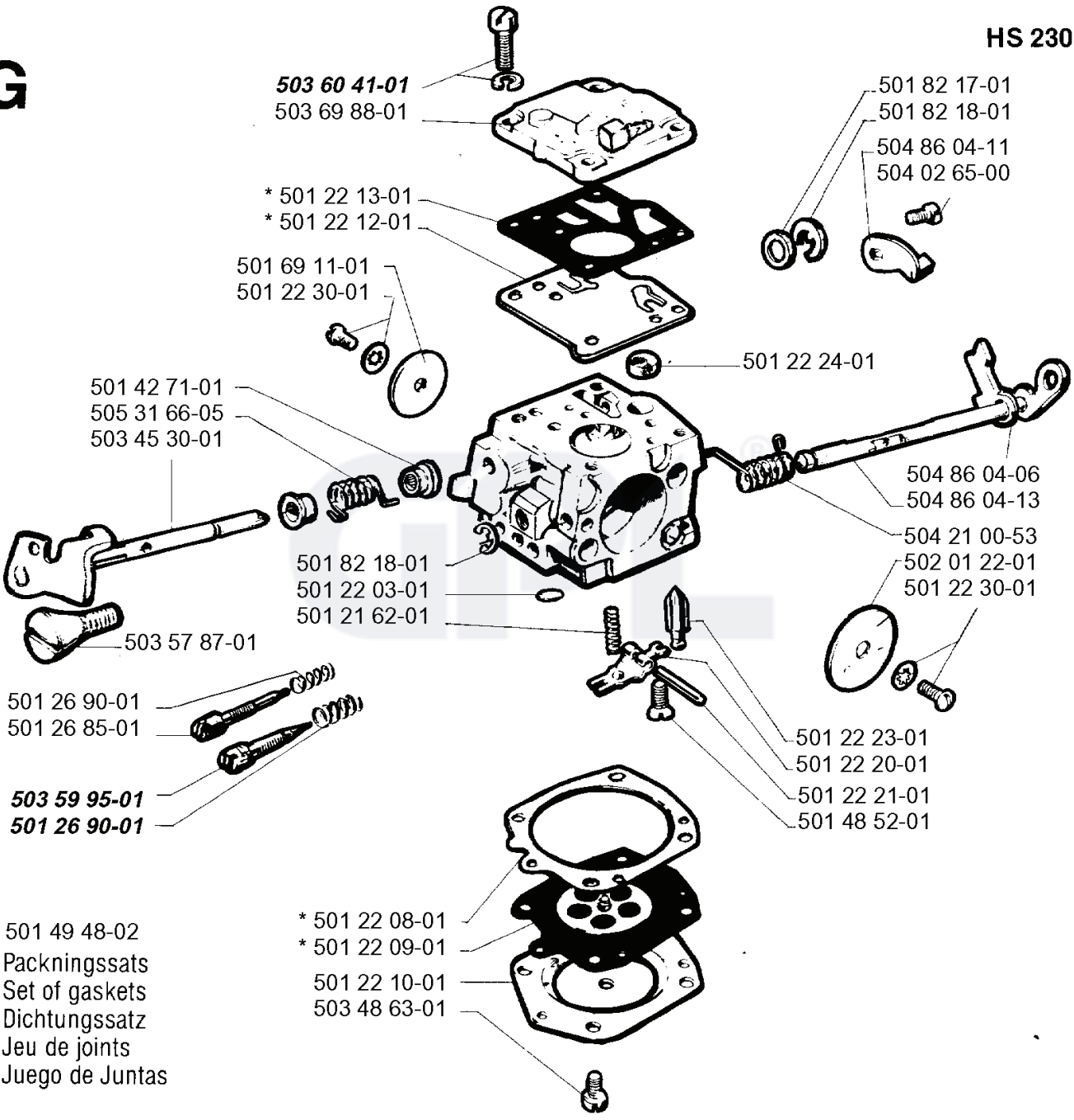
670, CHAMP, 1994-08

GPL[®]

SPARE PARTS LIST

HS 230 D

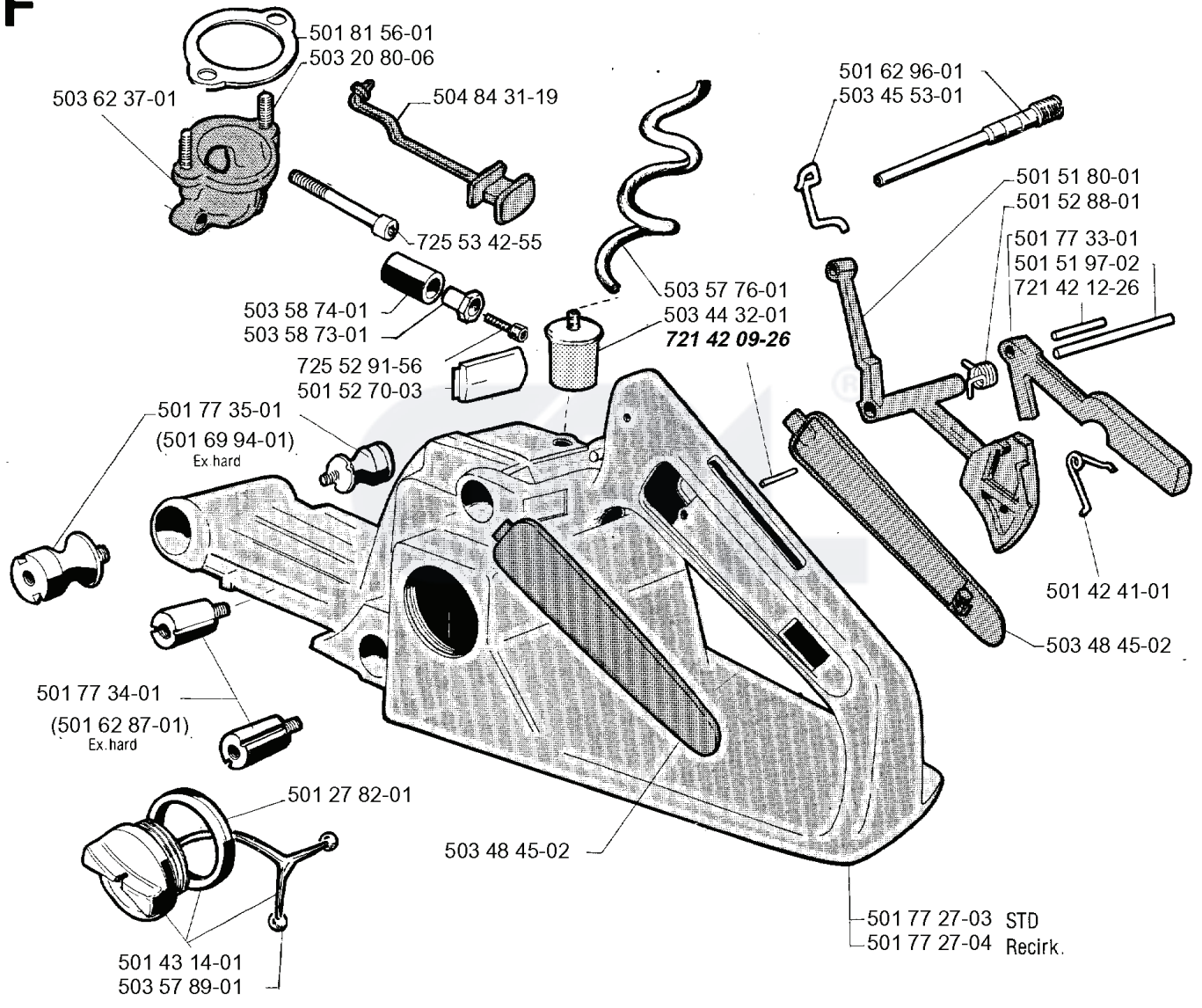
G



* 501 49 48-02
Packningssats
Set of gaskets
Dichtungssatz
Jeu de joints
Juego de Juntas

REF.	PART NO.	DESCRIPTION	REMARK	QTY.	KIT
5036041-01	503604101	SCREW		1	
5036988-01	503698801	FUEL PUMP COVER		1	
5012213-01	501221301	GASKET		1	
5012212-01	501221201	DIAGRAM		1	
5016911-01	501691101	THROTTLE VALVE		1	
5012230-01	501223001	SCREW&LOCKWASHER		1	
5014271-01	501427101	SLEEVE		1	
5053166-05	505316605	THROTTLE SH. SPRING		1	
5034530-01	503453001	THROTTLE SH.&LEVER		1	
5012203-01	501220301	PLUG		1	
5012162-01	501216201	REAR HANDLE		1	
5035787-01	503578701	IDLE SPEED SCREW		1	
5012690-01	501269001	SPRING		1	
5012685-01	501268501	SCREW		1	
5035995-01	503599501	MAIN MIXTURE SCREW		1	
5012208-01	501220801	GASKET		1	
5012209-01	501220901	DIAPHRAGM		1	
5012210-01	501221001	COVER		1	
5034863-01	503486301	SCREW		1	
5014852-01	501485201	SCREW		1	
5012221-01	501222101	PIN		1	
5012220-01	501222001	LEVER		1	
5012223-01	501222301	NEEDLE		1	
5020122-01	502012201	VALVE		1	
5042100-53	504210053	SPRING		1	
5048604-13	504860413	CHOKE SHAFT		1	
5048604-06	504860406	CHOKE LEVER		1	
5012224-01	501222401	SCREEN		1	
5040265-00	504026500	SCREW		1	
5048604-11	504860411	THROTTLE LEVER		1	
5018218-01	501821801	THROTTLE SH.'E' RING		1	
5018217-01	501821701	WASHER		1	

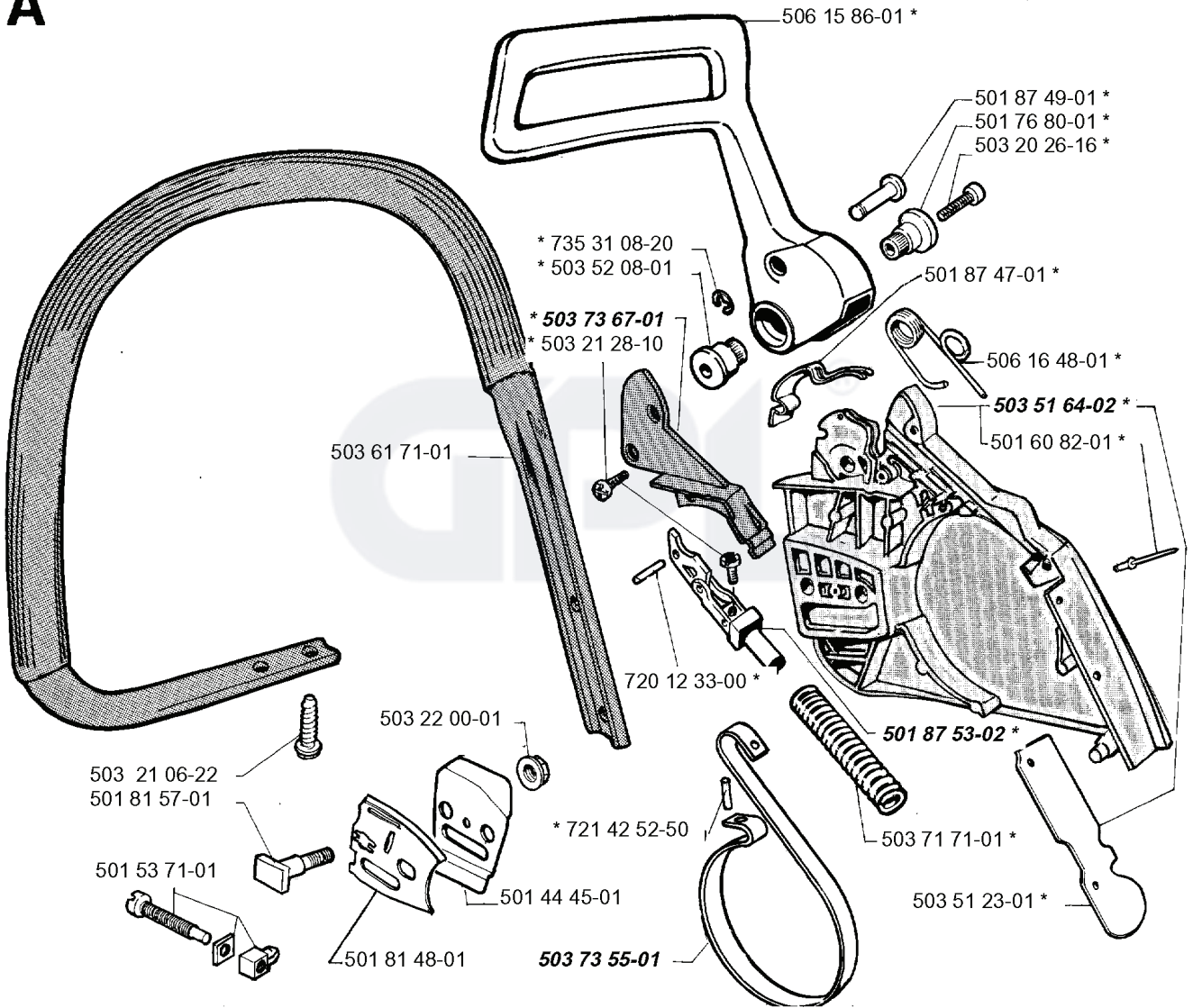
F



REF.	PART NO.	DESCRIPTION	REMARK	QTY.	KIT
5018156-01	501815601	GASKET		1	
5032080-06	503208006	SCREW		1	
5048431-19	504843119	CHOKE CONTROL		1	
5036237-01	503623701	FILTER HOLDER		1	
7255342-55	725534255	SCREW IHSCM		1	
5035874-01	503587401	ANTIVIBRATION ELEMENT		1	
5035873-01	503587301	BUSHING		1	
7255291-56	725529156	SCREW IHSCM		1	
5015270-03	501527003	COVER WASHER		1	
5017735-01	501773501	ANTIVIBRATION ELEMENT		1	
5016994-01	501699401	ANTIVIBRATION ELEMENT		1	
5017734-01	501773401	ANTIVIBRATION ELEMENT		1	
5016287-01	501628701	ANTIVIBRATION ELEMENT		1	
5012782-01	501278201	GASKET		1	
5014314-01	501431401	TANK CAP ASSY		1	
5035789-01	503578901	HOLDER		1	
5034845-02	503484502	HANDLE INSERT		1	
5017727-04	501772704	FUEL TANK		1	
5017727-03	501772703	FUEL TANK		1	
5014241-01	501424101	SPRING		1	
7214209-26	721420926	SPRING PIN		1	
5034432-01	503443201	FUEL FILTER		1	
5035776-01	503577601	FUEL HOSE		1	
7214212-26	721421226	SPRING PIN		1	
5015197-02	501519702	ROD		1	
5017733-01	501773301	THROTTLE LOCKOUT		1	
5015288-01	501528801	RECOIL SPRING		1	
5015180-01	501518001	THROTTLE LEVER		1	
5034553-01	503455301	THROTTLE ROD		1	
5016296-01	501629601	TANK VENT		1	

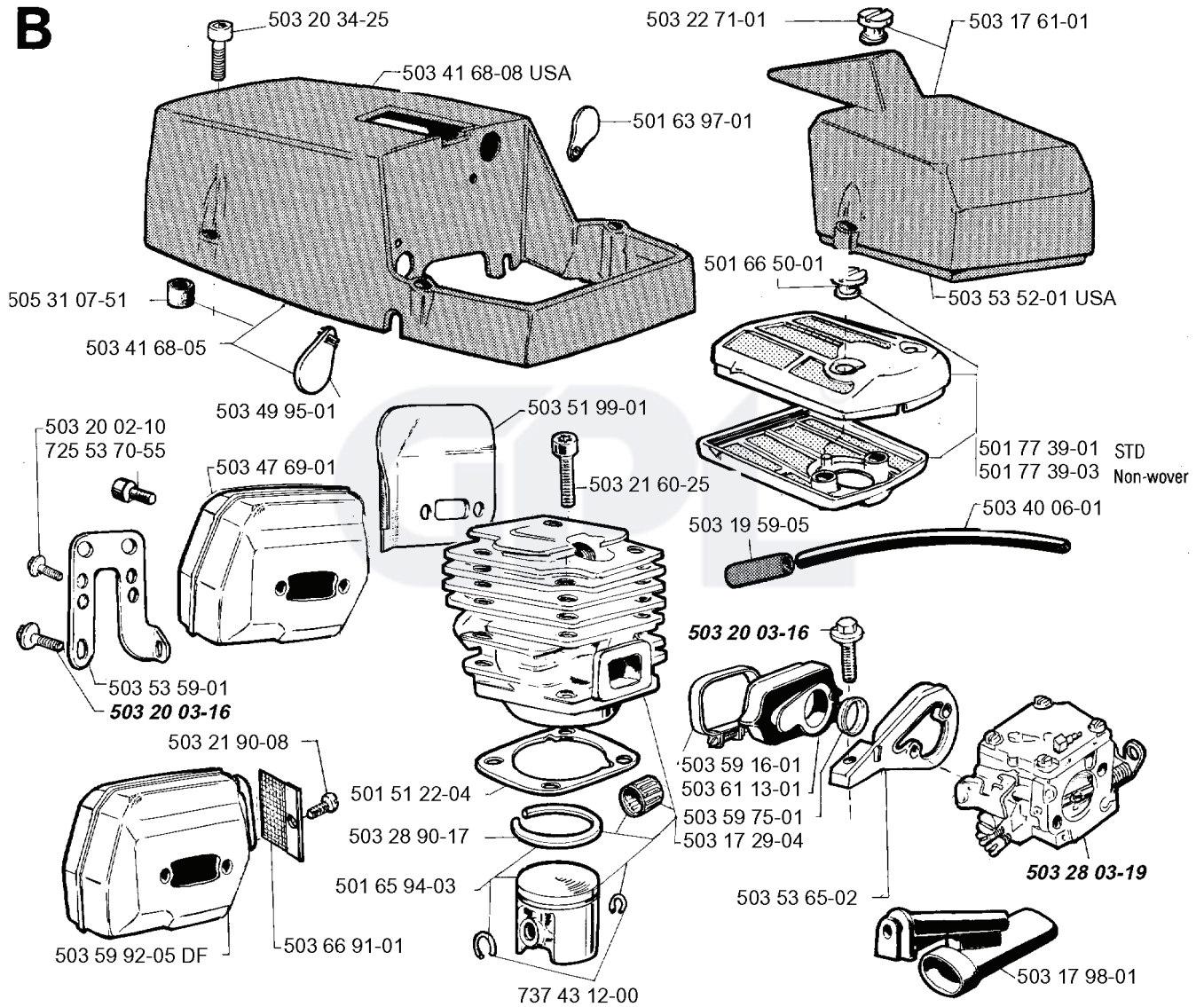
A

***Compl. 503 60 00-02**



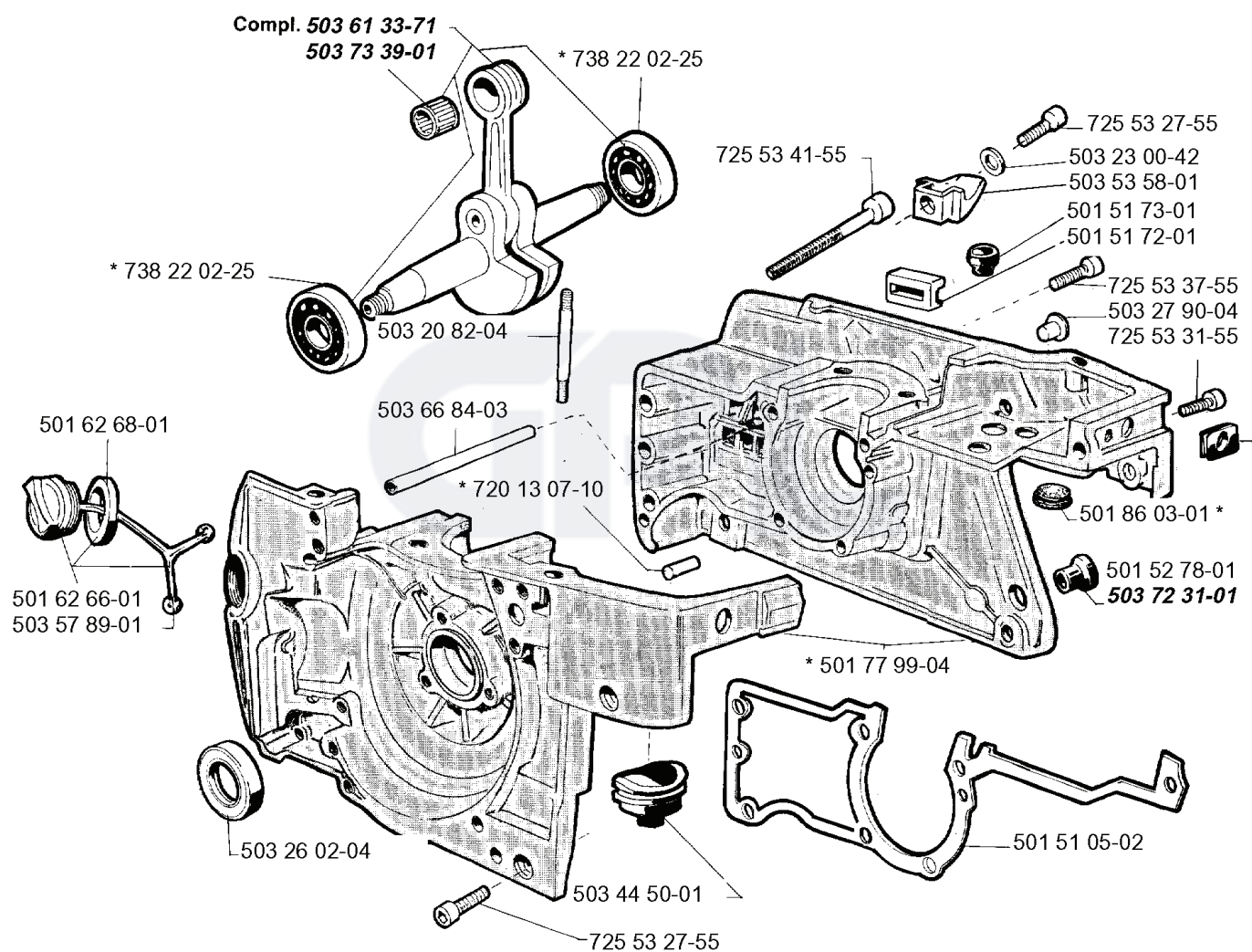
REF.	PART NO.	DESCRIPTION	REMARK	QTY.	KIT
735 31 08-20	735310820	E-CLIP		1	
503 52 08-01	503520801	SHAFT		1	
503 73 67-01	503736701	LID		1	
503 21 28-10	503212810	SCREW CCRPANT		1	
503 61 71-01	503617101	FRONT HANDLE ASSY		1	
720 12 33-00	720123300	PARALLEL PIN		1	
503 22 00-01	503220001	HEXAGON NUT		1	
503 21 06-22	503210622	SCREW IHSCCT		1	
501 81 57-01	501815701	BAR BOLT		1	
501 53 71-01	501537101	CHAIN TENSIONER KIT		1	
501 81 48-01	501814801	PROTECTIVE PLATE		1	
503 73 55-01	503735501	BRAKE BAND		1	
501 44 45-01	501444501	GUIDE PLATE		1	
721 42 52-50	721425250	SPRING PIN		1	
503 51 23-01	503512301	CHIP GUARD		1	
503 71 71-01	503717101	BRAKE SPRING		1	
501 87 53-02	501875302	KNEE JOINT		1	
501 60 82-01	501608201	RIVET		1	
503 51 64-02	503516402	CLUTCH COVER		1	
506 16 48-01	506164801	POSITION SPRING		1	
501 87 47-01	501874701	SPRING		1	
503 20 26-16	503202616	SCREW IHSCM		1	
501 76 80-01	501768001	SHAFT		1	
501 87 49-01	501874901	PIVOT PIN		1	
506 15 86-01	506158601	HAND GUARD		1	
503 60 00-02	503600002	CHAIN BRAKE ASSY		1	

B



REF.	PART NO.	DESCRIPTION	REMARK	QTY.	KIT
503 20 34-25	503203425	SCREW CCRPANMO		1	
503 41 68-08	503416808	CYLINDER COVER ASSY		1	
505 31 07-51	505310751	IMPULSE HOSE		1	
503 41 68-05	503416805	CYLINDER COVER ASSY		1	
503 49 95-01	503499501	COVER		1	
503 47 69-01	503476901	MUFFLER ASSY		1	
503 20 02-10	503200210	SCREW IHSCFM		1	
725 53 70-55	725537055	SCREW IHSCM		1	
503 53 59-01	503535901	BRACKET		1	
503 21 90-08	503219008	SCREW CCRPANM		1	
501 51 22-04	501512204	GASKET		1	
503 28 90-17	503289017	PISTON RING		1	
501 65 94-03	501659403	PISTON ASSY		1	
503 66 91-01	503669101	SPARK ARRESTER SCREEN		1	
503 59 92-05	503599205	MUFFLER ASSY		1	
737 43 12-00	737431200	SNAP RING		1	
503 53 65-02	503536502	CARBURETTOR BRACKET		1	
503 17 29-04	503172904	CYLINDER ASSY		1	
503 59 75-01	503597501	SUPPORT SLEEVE		1	
503 61 13-01	503611301	INLET PIPE		1	
503 59 16-01	503591601	HOSE CLAMP		1	
503 20 03-16	503200316	SCREW IHSCFM		1	
503 19 59-05	503195905	HOSE		1	
503 21 60-25	503216025	SCREW		1	
503 51 99-01	503519901	HEAT DEFLECTOR		1	
501 63 97-01	501639701	COVER		1	
503 22 71-01	503227101	NUT		1	
501 66 50-01	501665001	CAP NUT		1	
503 28 03-19	503280319	CARBURETTOR		1	
503 17 98-01	503179801	GUIDE BUSHING		1	
503 40 06-01	503400601	IMPULSE HOSE		1	
501 77 39-03	501773903	AIR FILTER ASSY		1	
501 77 39-01	501773901	AIR FILTER ASSY		1	
503 53 52-01	503535201	FILTER COVER		1	
503 17 61-01	503176101	FILTER COVER		1	

E



*compl. 501 77 99-04

REF.	PART NO.	DESCRIPTION	REMARK	QTY.	KIT
503 61 33-71	503613371	CRANKSHAFT ASSY		1	
503 73 39-01	503733901	BEARING		1	
501 62 68-01	501626801	GASKET		1	
501 62 66-01	501626601	TANK		1	
503 57 89-01	503578901	HOLDER		1	
503 26 02-04	503260204	SEALING RING		1	
725 53 27-55	725532755	SCREW IHSCM		1	
503 44 50-01	503445001	BELLOWS		1	
720 13 07-10	720130710	PARALLEL PIN		1	
503 66 84-03	503668403	TANK VENT ASSY		1	
503 20 82-04	503208204	SCREW PIN		1	
738 22 02-25	738220225	BALL BEARING		1	
725 53 41-55	725534155	SCREW IHSCM		1	
501 51 05-02	501510502	GASKET		1	
501 77 99-04	501779904	CRANKCASE ASSY		1	
503 72 31-01	503723101	BUSHING		1	
501 52 78-01	501527801	GROMMET		1	
501 86 03-01	501860301	BUFFER		1	
725 53 31-55	725533155	SCREW IHSCM		1	
503 27 90-04	503279004	PLUG		1	
725 53 37-55	725533755	SCREW IHSCM		1	
501 51 72-01	501517201	CHAIN GUIDE		1	
501 51 73-01	501517301	PLUG		1	
503 53 58-01	503535801	CHAIN CATCHER		1	
503 23 00-42	503230042	WASHER		1	

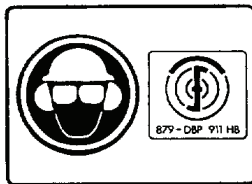
H



503 67 56-01

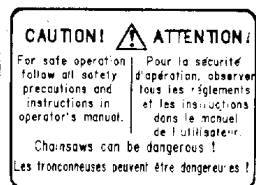


503 67 57-01



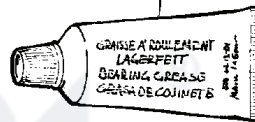
503 50 23-01

STOP 501 53 13-01

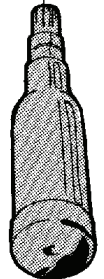


503 44 17-01

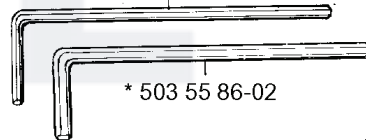
* 503 62 12-01



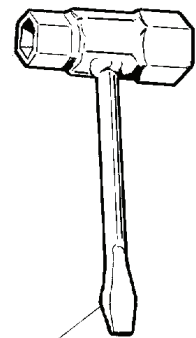
* 501 91 14-01



* 503 55 86-01



* 503 55 86-02

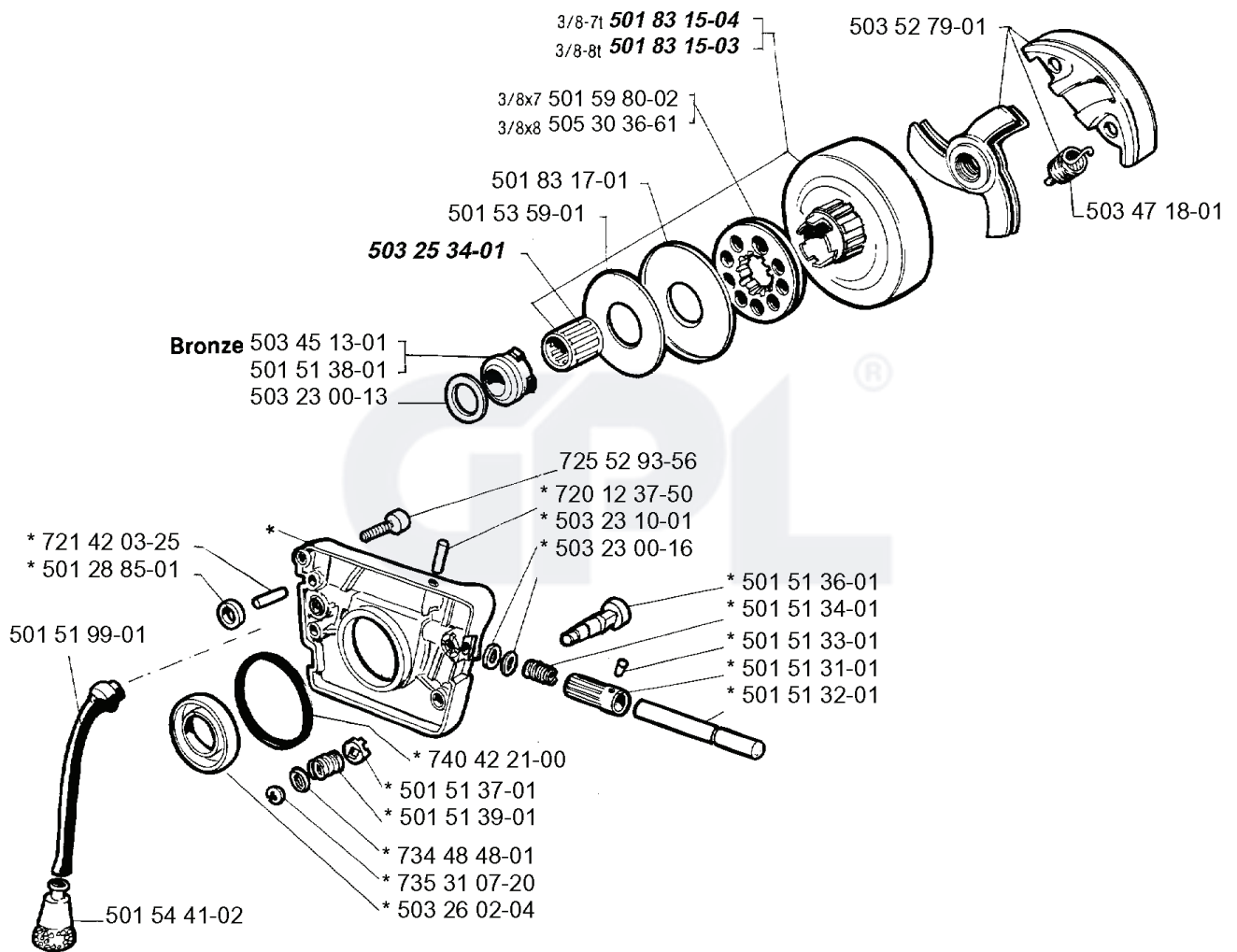


* 501 69 17-01

*compl. 503 55 85-01

REF.	PART NO.	DESCRIPTION	REMARK	QTY.	KIT
5036756-01	503675601	LABEL		1	
5036171-02	503617102	FRONT HANDLE ASSY		1	
5036757-01	503675701	DECAL		1	
5018024-01	501802401	STATOR ASSY		1	
5015313-01	501531301	DECAL		1	
7255293-56	725529356	SCREW IHSCM		1	
5035023-01	503502301	DECAL		1	
5035115-01	503511501	FLYWHEEL ASSY		1	
5034417-01	503441701	SIGN		1	
5016735-01	501673501	SPRING		1	
5016917-01	501691701	COMBINATION WRENCH		1	
5032300-42	503230042	WASHER		1	
5035585-01	503558501	TOOL		1	
5016732-01	501673201	PAWL		1	
5035586-02	503558602	SPANNER		1	
5018199-01	501819901	SCREW		1	
5035586-01	503558601	SPANNER		1	
5032803-09	503280309	CARBURETTOR		1	
5019114-01	501911401	GREASE GUN		1	
5036151-01	503615101	TUBE CONNECTOR		1	
5036212-01	503621201	GREASE		1	
5035339-01	503533901	TUBE CONNECTOR		1	
5017683-11	501768311	FUEL HOSE		1	
5032106-32	503210632	SCREW IH SCT		1	
5016997-02	501699702	SPACER		1	
5034516-01	503451601	BASEPLATE		1	
5032106-22	503210622	SCREW IH SCT		1	
5036174-01	503617401	FRONT HANDLE ASSY		1	
5015266-02	501526602	SWITCH		1	
5017951-01	501795101	COVER WASHER		1	
5016293-04	501629304	HANDLE INSERT		1	
5032129-05	503212905	SCREW CCRPANT		1	
5035907-01	503590701	SPIKE		1	
5018344-05	501834405	BAR COVER		1	
5018344-02	501834402	BAR COVER		1	
5035909-01	503590901	BUMPER		1	
7243224-05	724322405	SCREW CRCSFM		1	
5015974-04	501597404	SPACER		1	
5035908-01	503590801	SPIKE		1	
5034457-01	503445701	SPIKE		1	

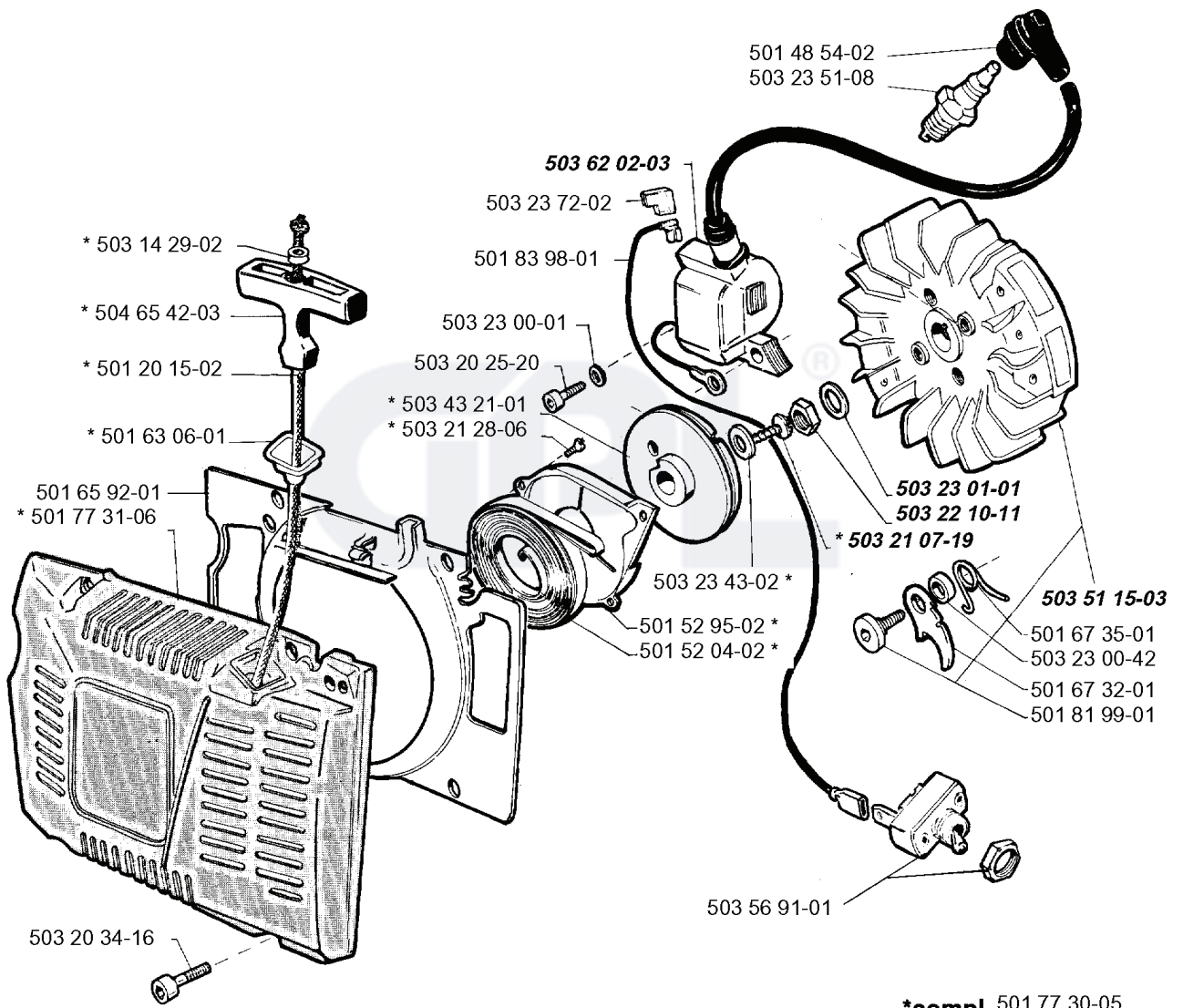
C



*compl. 501 51 25-01

REF.	PART NO.	DESCRIPTION	REMARK	QTY.	KIT
501 83 15-04	501831504	CLUTCH DRUM ASSY		1	
501 83 15-03	501831503	CLUTCH DRUM ASSY		1	
501 59 80-02	501598002	RIM		1	
505 30 36-61	505303661	RIM		1	
501 83 17-01	501831701	WASHER		1	
501 53 59-01	501535901	WASHER		1	
503 25 34-01	503253401	NEEDLE BEARING		1	
503 45 13-01	503451301	GEAR WHEEL ASSY		1	
501 51 38-01	501513801	GEAR WHEEL		1	
503 23 00-13	503230013	WASHER		1	
721 42 03-25	721420325	PINNE FRP-LS3X6 OXSV		1	
501 28 85-01	501288501	SEAL		1	
501 51 99-01	501519901	OIL HOSE		1	
501 54 41-02	501544102	OIL SCREEN		1	
501 51 25-01	501512501	OIL PUMP ASSY		1	
503 26 02-04	503260204	SEALING RING		1	
735 31 07-20	735310720	E-CLIP		1	
734 48 48-01	734484801	WASHER		1	
501 51 39-01	501513901	SPRING		1	
501 51 37-01	501513701	FIXING WASHER		1	
740 42 21-00	740422100	O-RING		1	
503 23 00-16	503230016	WASHER		1	
503 23 10-01	503231001	WASHER		1	
720 12 37-50	720123750	PARALLEL PIN		1	
725 52 93-56	725529356	SCREW IHSCM		1	
501 51 36-01	501513601	ADJUSTMENT SCREW		1	
501 51 34-01	501513401	SPRING		1	
501 51 33-01	501513301	STOP SCREW		1	
501 51 31-01	501513101	GEAR WHEEL		1	
501 51 32-01	501513201	SHAFT		1	
503 47 18-01	503471801	CLUTCH SPRING		1	
503 52 79-01	503527901	CLUTCH ASSY		1	

D



REF.	PART NO.	DESCRIPTION	REMARK	QTY.	KIT
503 14 29-02	503142902	WASHER		1	
504 65 42-03	504654203	STARTER HANDLE		1	
501 20 15-02	501201502	STARTER ROPE		1	
501 63 06-01	501630601	SLEEVE		1	
501 65 92-01	501659201	AIR CONDUCTOR		1	
501 77 31-06	501773106	STARTER HOUSING		1	
503 20 34-16	503203416	SCREW CCRPANMO		1	
503 56 91-01	503569101	STOP SWITCH ASSY		1	
501 52 04-02	501520402	RECOIL SPRING		1	
501 52 95-02	501529502	GUARD RING		1	
503 23 43-02	503234302	WASHER		1	
503 21 28-06	503212806	SCREW CCRPANT		1	
503 43 21-01	503432101	STARTER PULLEY		1	
503 20 25-20	503202520	SCREW IHSCM		1	
503 23 00-01	503230001	WASHER		1	
501 83 98-01	501839801	CABLE		1	
503 23 72-02	503237202	INSULATING CAP		1	
503 62 02-03	503620203	ELECTRONIC MODULE		1	
503 23 01-01	503230101	WASHER		1	
503 22 10-11	503221011	HEXAGON NUT		1	
503 21 07-19	503210719	SCREW IHSCFT		1	
501 77 30-05	501773005	STARTER ASSY		1	
501 81 99-01	501819901	SCREW		1	
501 67 32-01	501673201	PAWL		1	
503 23 00-42	503230042	WASHER		1	
501 67 35-01	501673501	SPRING		1	
503 51 15-03	503511503	FLYWHEEL ASSY		1	
503 23 51-08	503235108	SPARK PLUG		1	
501 48 54-02	501485402	SPARK PLUG CAP		1	