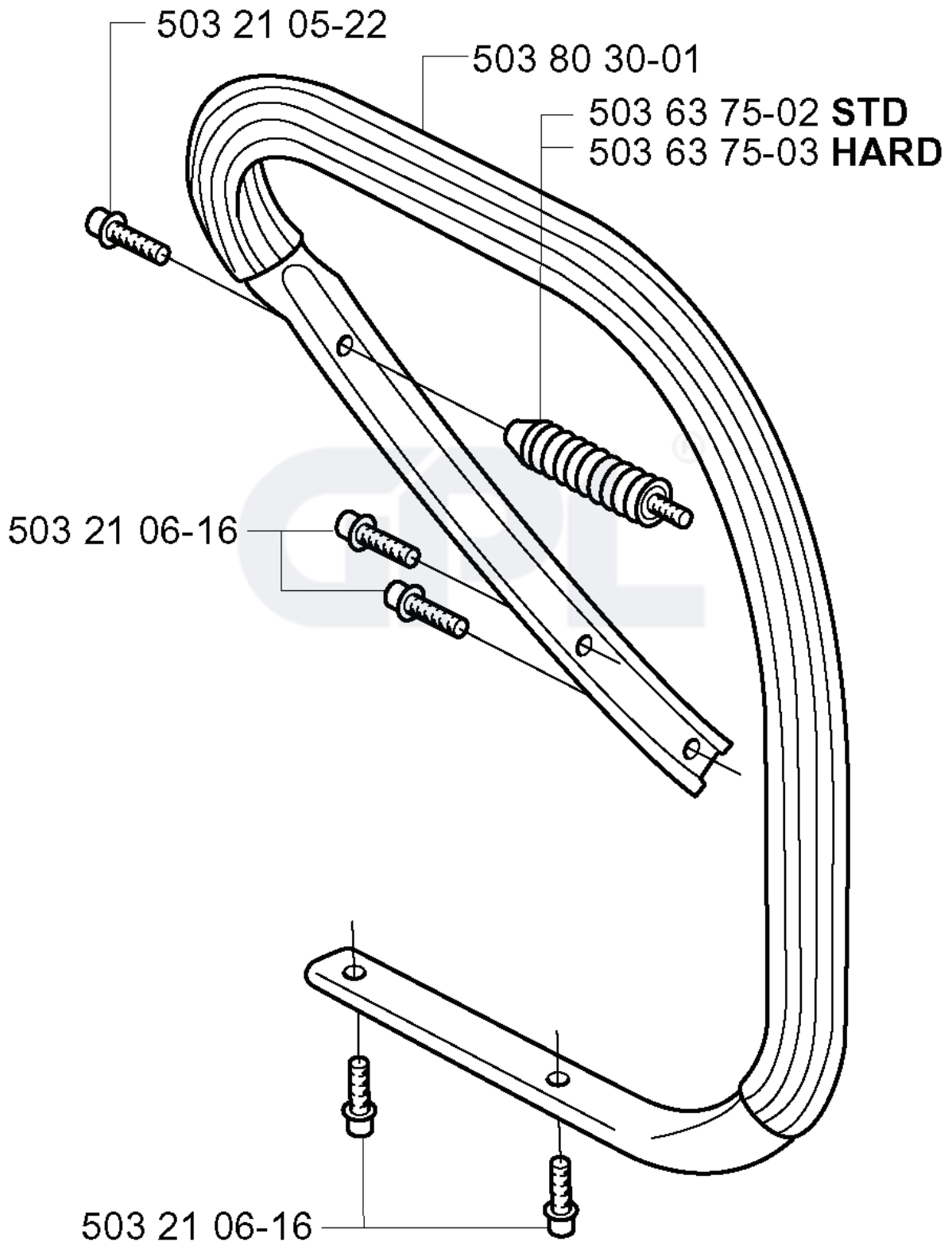


2163, EPA, 2001-10

GPL[®]

SPARE PARTS LIST

L



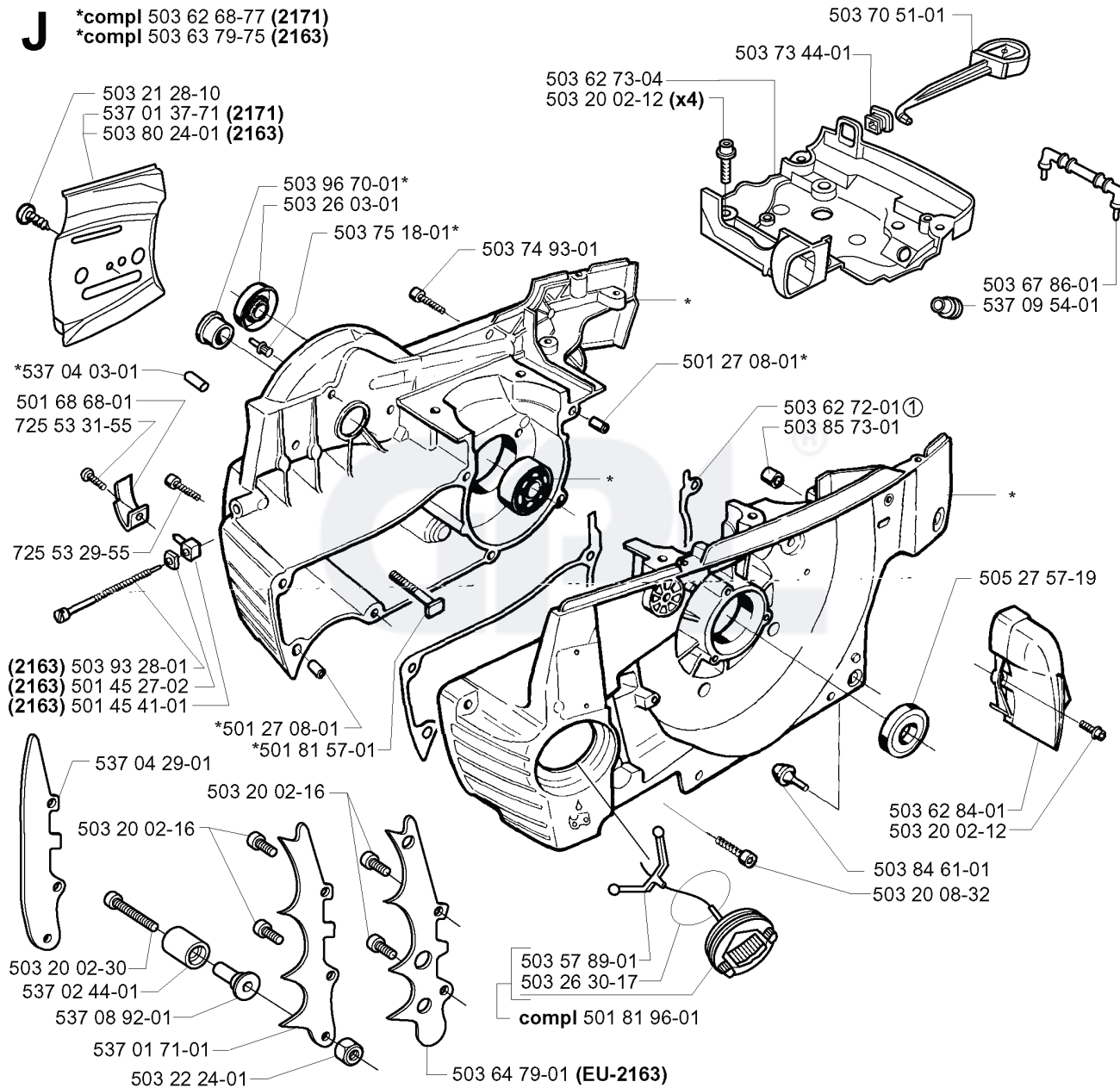
REF.	PART NO.	DESCRIPTION	REMARK	QTY.	KIT
503 21 05-22	503210522	SCREW IHSCT		1	
503 21 06-16	503210616	SCREW IHSCT		1	
503 63 75-03	503637503	ANTIVIBRATION ELEMENT		1	
503 63 75-02	503637502	ANTIVIBRATION ELEMENT		1	
503 80 30-01	503803001	HANDLE		1	



J

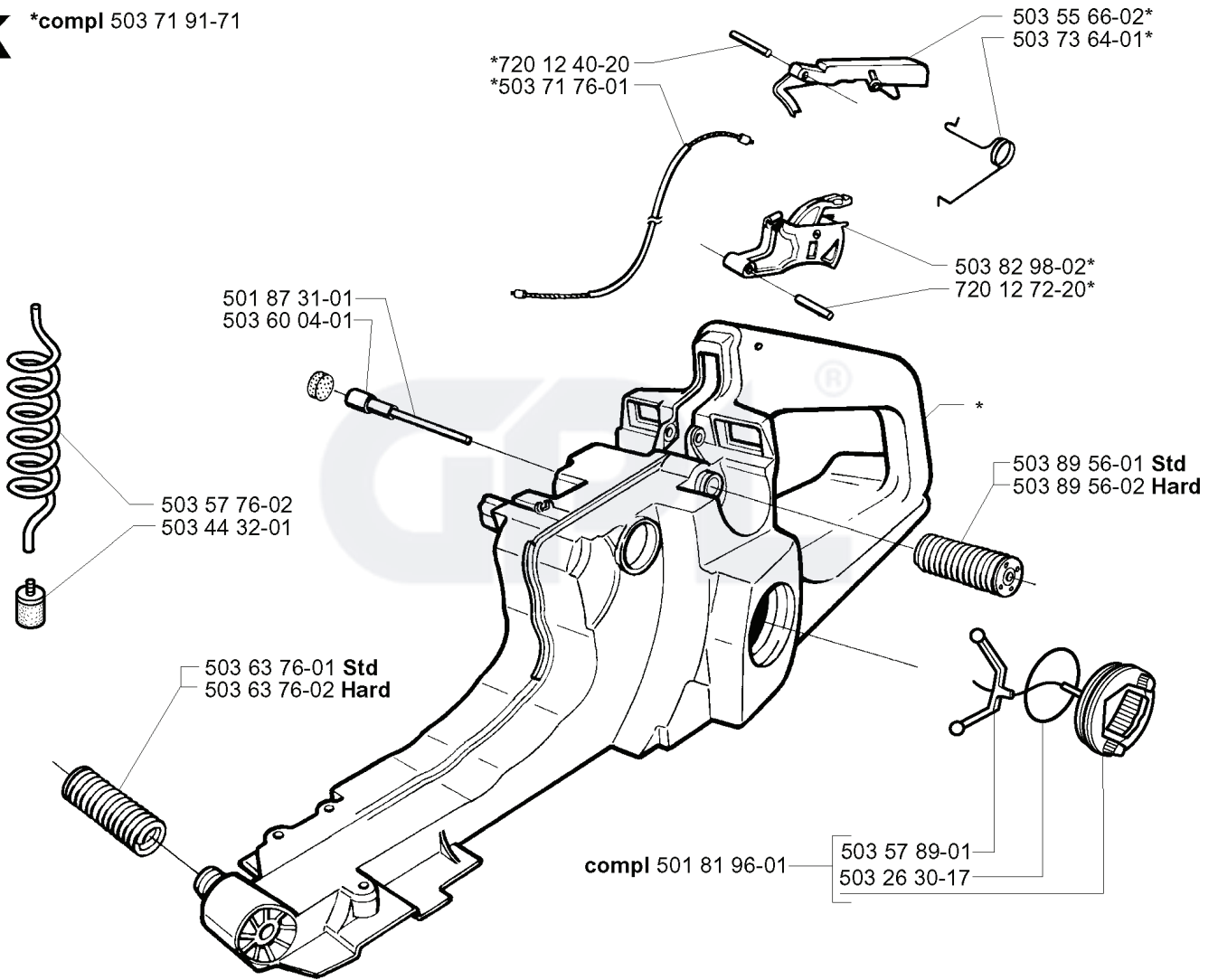
*compl 503 62 68-77 (2171)

*compl 503 63 79-75 (2163)



REF.	PART NO.	DESCRIPTION	REMARK	QTY.	KIT
503 62 68-77	503626877	CRANKCASE ASSY		1	
503 63 79-75	503637975	CRANKCASE ASSY		1	
503 21 28-10	503212810	SCREW CCRPANT		1	
537 01 37-71	537013771	CHAIN GUIDE PLATE		1	
503 80 24-01	503802401	CHAIN GUIDE PLATE		1	
537 04 03-01	537040301	VALVE		1	
501 68 68-01	501686801	CHAIN CATCHER		1	
725 53 31-55	725533155	SCREW IHSCM		1	
725 53 29-55	725532955	SCREW IHSCM		1	
503 93 28-01	503932801	SCREW		1	
501 45 27-02	501452702	LOCK NUT		1	
501 45 41-01	501454101	NUT		1	
537 04 29-01	537042901	BUMPER		1	
503 20 02-16	503200216	SCREW IHSCFM		1	
503 20 02-30	503200230	SCREW IHSCFM		1	
537 02 44-01	537024401	WEAR PROTECTION		1	
537 08 92-01	537089201	CHAIN CATCHER		1	
537 01 71-01	537017101	SPIKE		1	
503 22 24-01	503222401	LOCK NUT		1	
503 64 79-01	503647901	SPIKE		1	
501 81 96-01	501819601	TANK CAP ASSY		1	
503 26 30-17	503263017	O-RING		1	
503 57 89-01	503578901	HOLDER		1	
501 81 57-01	501815701	BAR BOLT		1	
501 27 08-01	501270801	GUIDE BUSHING		1	
503 75 18-01	503751801	PIN		1	
503 26 03-01	503260301	SEALING RING		1	
503 96 70-01	503967001	BUSHING		1	
503 62 73-04	503627304	CARBURETTOR		1	
503 20 02-12	503200212	SCREW IHSCFM		4	
503 74 93-01	503749301	SCREW		1	
503 73 44-01	503734401	GROMMET		1	
503 70 51-01	503705101	CHOKE CONTROL		1	
503 67 86-01	503678601	STÖTTA FÖRGASARE		1	
537 09 54-01	537095401	GROMMET		1	
503 62 72-01	503627201	GASKET		1	
503 85 73-01	503857301	COVER		1	
503 20 08-32	503200832	SCREW IHSCM		1	
503 84 61-01	503846101	BUFFER		1	
503 62 84-01	503628401	AIR NOZZLE		1	
505 27 57-19	505275719	SEALING RING		1	

K *compl 503 71 91-71



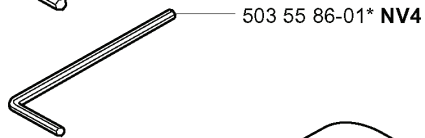
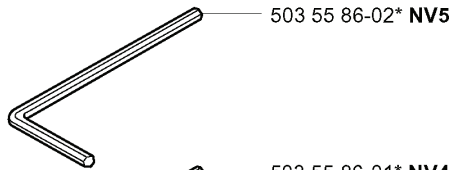
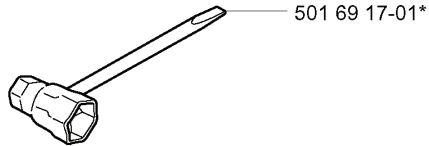
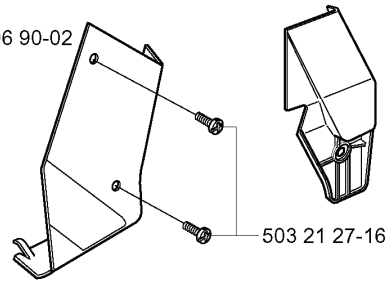
REF.	PART NO.	DESCRIPTION	REMARK	QTY.	KIT
503 71 91-71	503719171	FUEL TANK		1	
501 87 31-01	501873101	TANK VENT ASSY		1	
503 60 04-01	503600401	FILTER PLUG		1	
503 57 76-02	503577602	FUEL HOSE		1	
503 44 32-01	503443201	FUEL FILTER		1	
503 63 76-01	503637601	ANTIVIBRATION ELEMENT		1	
503 63 76-02	503637602	ANTIVIBRATION ELEMENT		1	
501 81 96-01	501819601	TANK CAP ASSY		1	
503 57 89-01	503578901	HOLDER		1	
503 26 30-17	503263017	O-RING		1	
503 89 56-02	503895602	ANTIVIBRATION ELEMENT		1	
503 89 56-01	503895601	ANTIVIBRATION ELEMENT		1	
720 12 72-20	720127220	PARALLEL PIN		1	
503 82 98-02	503829802	THROTTLE TRIGGER		1	
503 71 76-01	503717601	THROTTLE CABLE ASSY		1	
720 12 40-20	720124020	PARALLEL PIN		1	
503 73 64-01	503736401	SPRING		1	
503 55 66-02	503556602	THROTTLE LOCKOUT		1	



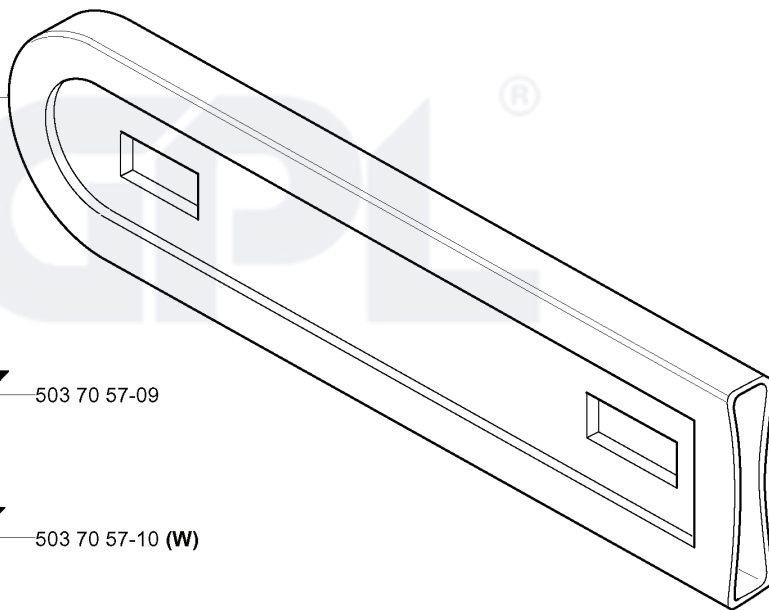
R Accessories
 Zubehöre
 Accessories
 Accesorios
 Tillbehör

*compl 503 55 85-01

WINTER
 compl 503 96 90-02



501 83 44-02 13"-16"
 501 83 44-05 18"-22"
 501 83 45-02 24"-28"



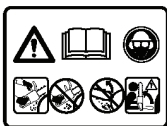
REF.	PART NO.	DESCRIPTION	REMARK	QTY.	KIT
5035585-01	503558501	TOOL		1	
5016917-01	501691701	COMBINATION WRENCH		1	
5035586-02	503558602	SPANNER		1	
5035586-01	503558601	SPANNER		1	
5018344-02	501834402	BAR COVER		1	
5018344-05	501834405	BAR COVER		1	
5018345-02	501834502	BAR COVER		1	
5037057-09	503705709	LABEL		1	
5037057-10	503705710	LABEL		1	
5037057-06	503705706	LABEL		1	
5037057-07	503705707	LABEL		1	
5037012-03	503701203	LABEL		1	
5019114-01	501911401	GREASE GUN		1	
5036212-01	503621201	GREASE		1	
5032127-16	503212716	SCREW CRPANT		1	
5039690-02	503969002	KIT		1	



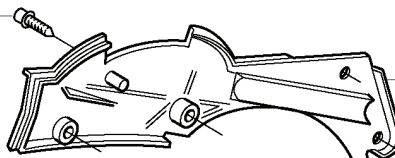
A

*compl 503 71 93-04

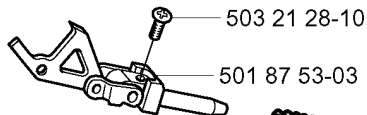
503 20 02-12 (x4)



503 98 74-01*



503 75 11-03

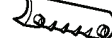


503 21 28-10

501 87 53-03



503 70 99-01

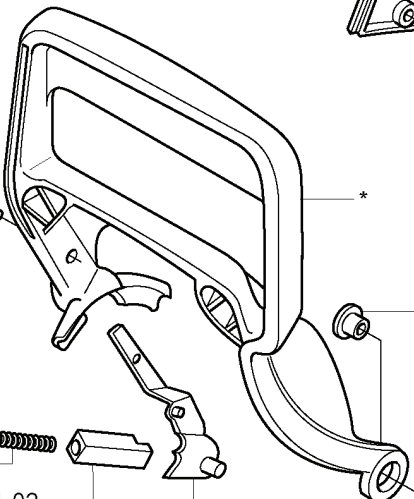


503 79 27-01



503 75 22-01

503 20 25-12



503 77 52-01

503 43 65-01



503 83 81-02

537 00 87-02

**537 07 20-71

503 70 12-03

503 21 28-10

503 89 70-01

503 76 29-02

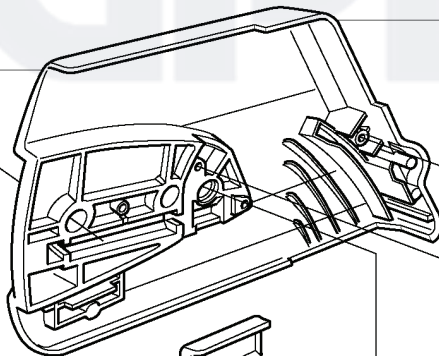


**compl 537 07 20-01 2171

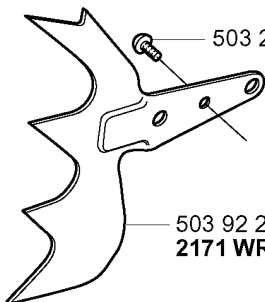
503 22 00-01 (x2)



**

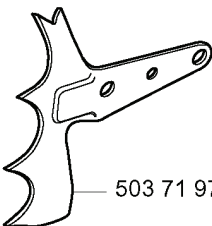


**501 51 72-01



503 21 28-10

503 92 27-01
2171 WRAP



503 71 97-01 2171

740 48 07-02

503 23 00-63

537 07 94-01

503 21 28-10** (x2)

**537 04 41-02

537 01 74-01

503 99 83-01

537 07 95-01

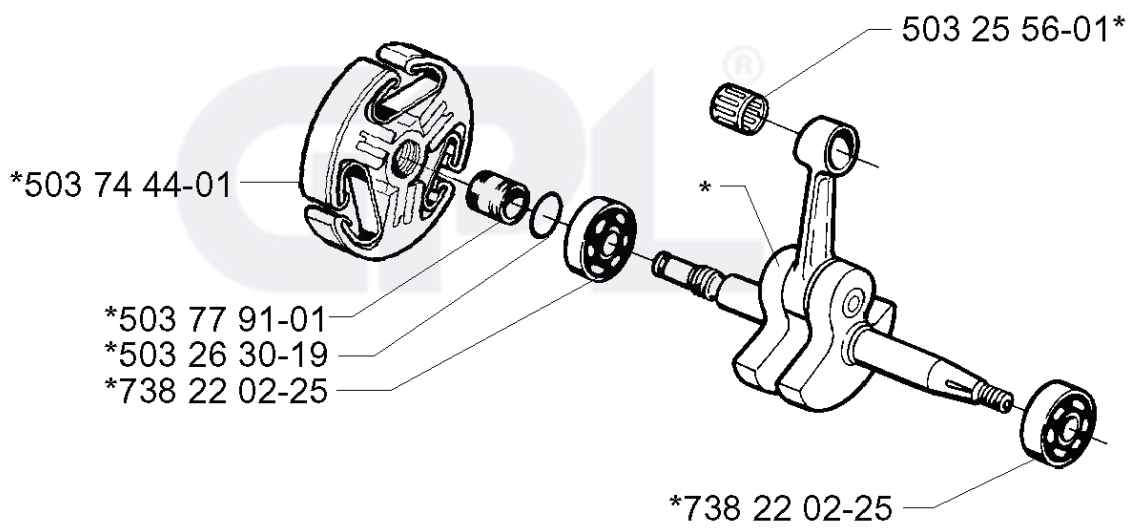
503 23 00-66

537 01 68-01

REF.	PART NO.	DESCRIPTION	REMARK	QTY.	KIT
503 71 93-04	503719304	HAND GUARD		1	
503 98 74-01	503987401	LABEL		1	
503 20 25-12	503202512	SCREW IHSCM		1	
503 43 65-01	503436501	POSITION SPRING		1	
503 83 81-02	503838102	LOCK		1	
537 00 87-02	537008702	BRAKE LEVER		1	
537 07 20-01	537072001	CLUTCH COVER ASSY		1	
503 22 00-01	503220001	HEXAGON NUT		2	
503 92 27-01	503922701	SPIKE		1	
537 04 41-02	537044102	CHAIN TENSIONER		1	
503 71 97-01	503719701	SPIKE		1	
537 01 68-01	537016801	COVER		1	
503 23 00-66	503230066	WASHER		1	
537 07 95-01	537079501	WORM SCREW		1	
503 99 83-01	503998301	PAWL		1	
537 01 74-01	537017401	BEARING SLEEVE		1	
537 07 94-01	537079401	WORM WHEEL		1	
503 23 00-63	503230063	WASHER		1	
740 48 07-02	740480702	O-RING		1	
501 51 72-01	501517201	CHAIN GUIDE		1	
503 76 29-02	503762902	CHIP GUARD		1	
503 89 70-01	503897001	SLEEVE		1	
503 21 28-10	503212810	SCREW CCRPANT		1	
503 70 12-03	503701203	LABEL		1	
537 07 20-71	537072071	CLUTCH COVER ASSY		1	
503 77 52-01	503775201	BUSHING		1	
503 20 02-12	503200212	SCREW IHSCFM		4	
501 87 53-03	501875303	KNEE JOINT		1	
503 75 22-01	503752201	BRAKE BAND ASSY		1	
503 79 27-01	503792701	SUPPORT		1	
503 70 99-01	503709901	BRAKE SPRING		1	
503 75 11-03	503751103	HUB CAP		1	

F

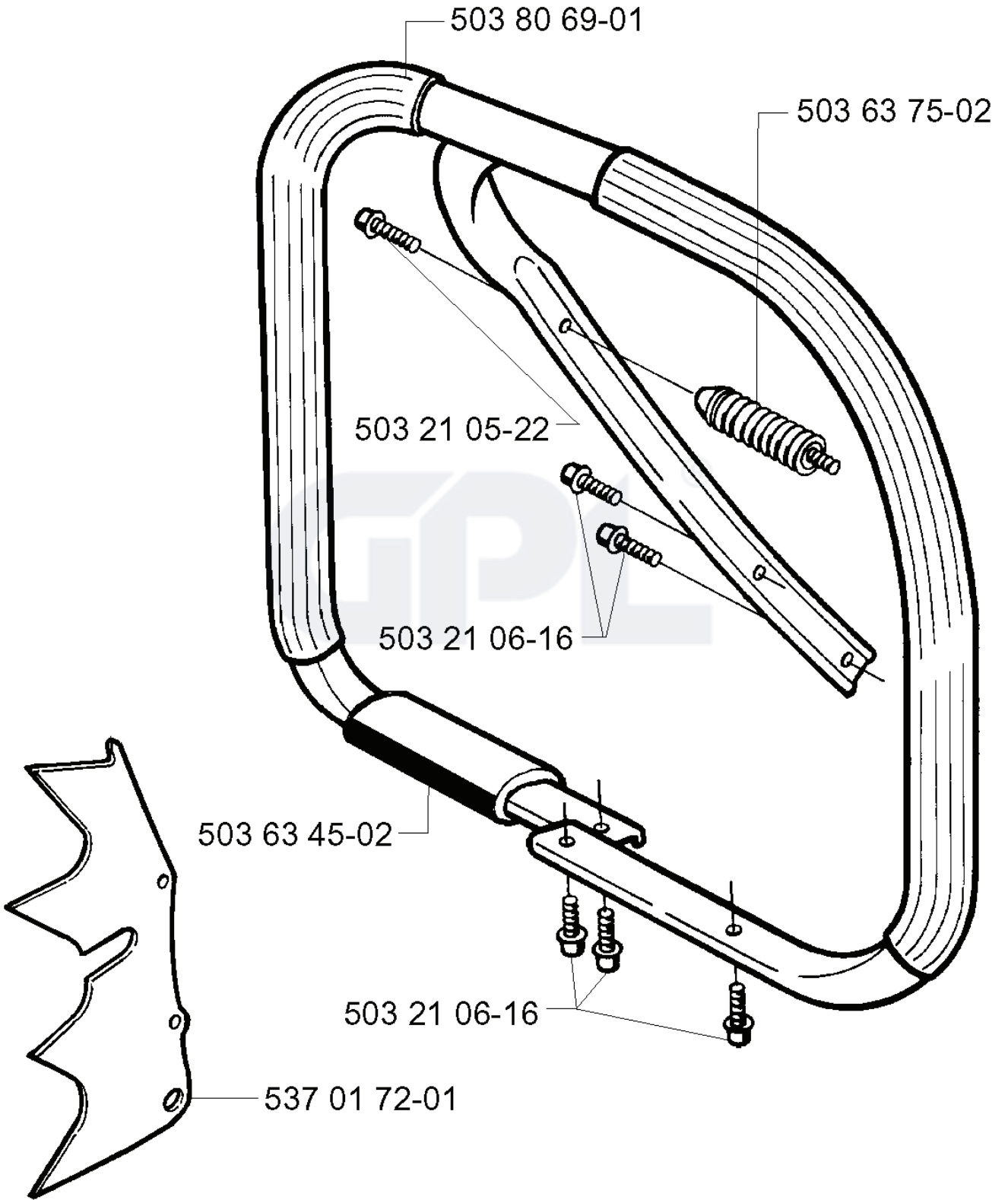
*compl 503 74 87-01



REF.	PART NO.	DESCRIPTION	REMARK	QTY.	KIT
503 74 87-01	503748701	CRANKSHAFT ASSY		1	
503 74 44-01	503744401	CLUTCH ASSY		1	
503 77 91-01	503779101	SLEEVE		1	
503 26 30-19	503263019	O-RING		1	
738 22 02-25	738220225	BALL BEARING		1	
503 25 56-01	503255601	NEEDLE BEARING		1	



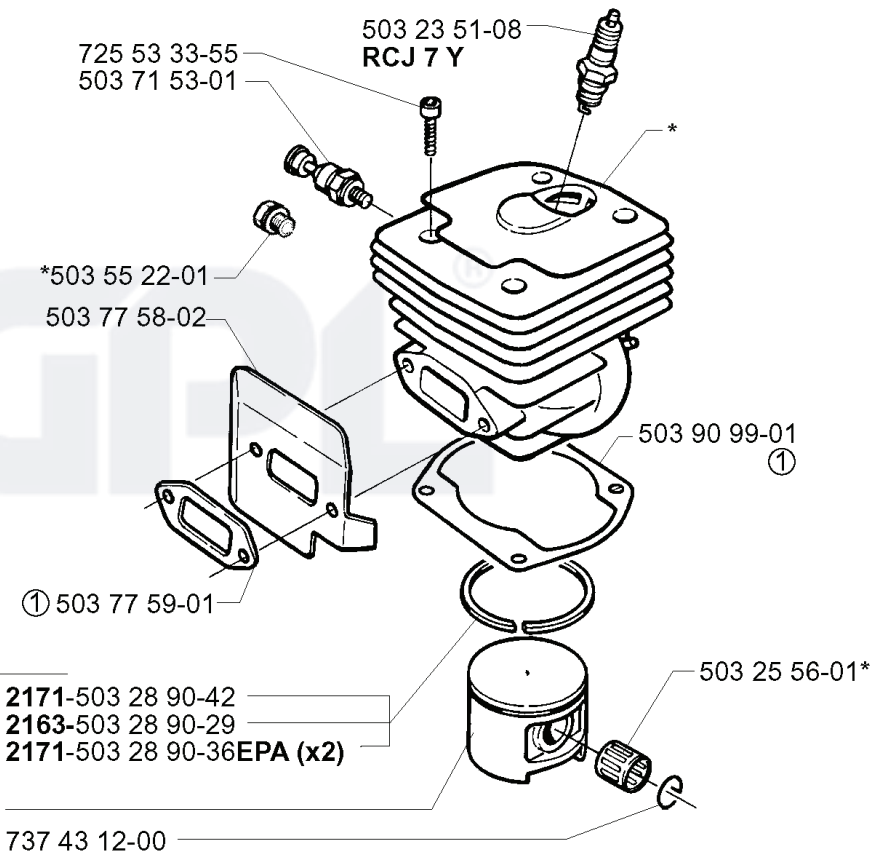
M



REF.	PART NO.	DESCRIPTION	REMARK	QTY.	KIT
503 80 69-01	503806901	HANDLE		1	
503 21 05-22	503210522	SCREW IHSCT		1	
503 21 06-16	503210616	SCREW IHSCT		1	
503 63 45-02	503634502	COVER		1	
537 01 72-01	537017201	SPIKE		1	
503 63 75-02	503637502	ANTIVIBRATION ELEMENT		1	



E *compl 503 62 64-73 **2171**
 *compl 503 96 52-71 **2163**
 *compl 503 93 93-72 **2171 EPA**



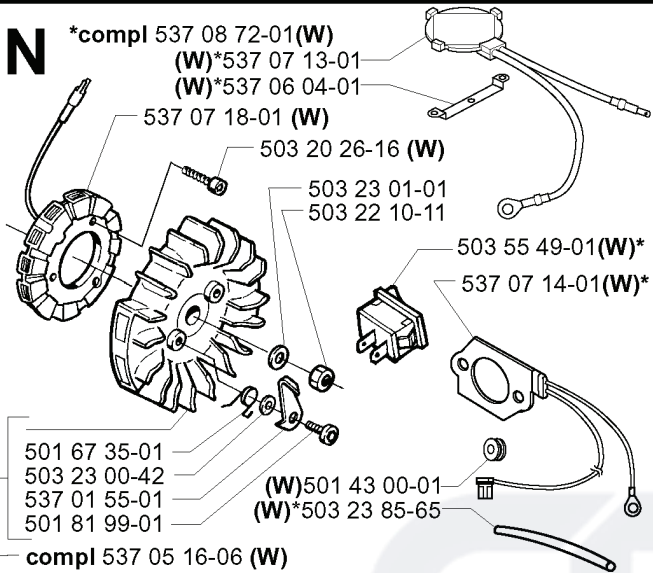
*compl 503 69 12-71 - **2171**
 *compl 503 69 14-71 - **2163**
 *compl 503 93 92-71 - **2171 EPA**

REF.	PART NO.	DESCRIPTION	REMARK	QTY.	KIT
503 62 64-73	503626473	CYLINDER ASSY		1	
503 96 52-71	503965271	CYLINDER ASSY		1	
503 93 93-72	503939372	CYLINDER ASSY		1	
503 69 12-71	503691271	PISTON ASSY		1	
503 69 14-71	503691471	PISTON ASSY		1	
503 93 92-71	503939271	PISTON ASSY		1	
737 43 12-00	737431200	SNAP RING		1	
503 28 90-36	503289036	PISTON RING		2	
503 28 90-29	503289029	PISTON RING		1	
503 28 90-42	503289042	PISTON RING		1	
503 77 59-01	503775901	GASKET		1	
503 77 58-02	503775802	HEAT DEFLECTOR		1	
503 55 22-01	503552201	PLUG		1	
503 71 53-01	503715301	DECOMPRESSION VALVE		1	
725 53 33-55	725533355	SCREW IHSCM		1	
503 25 56-01	503255601	NEEDLE BEARING		1	
503 90 99-01	503909901	GASKET		1	
503 23 51-08	503235108	SPARK PLUG		1	



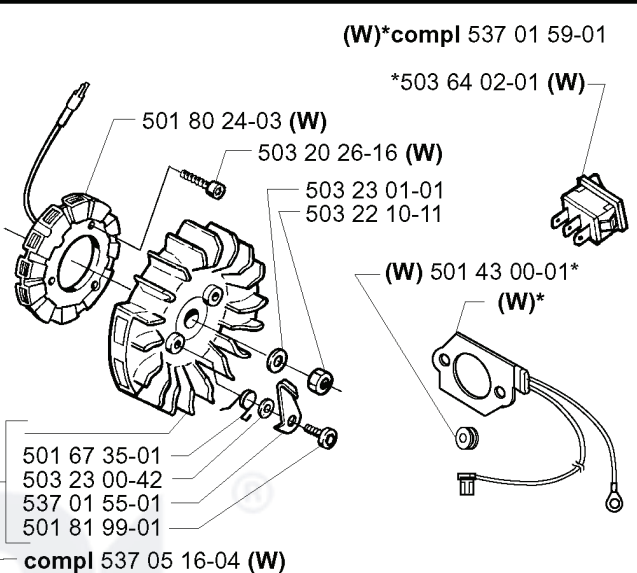
N

*compl 537 08 72-01(W)
(W)*537 07 13-01
(W)*537 06 04-01

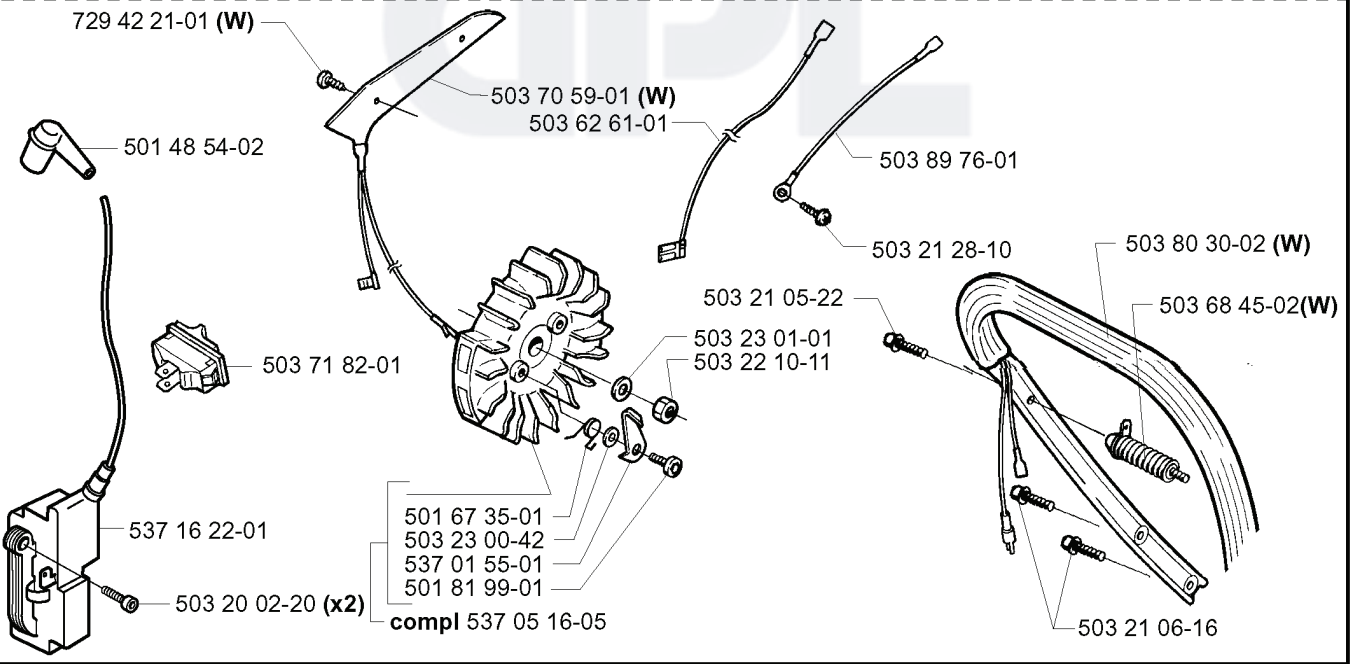


(W)*compl 537 01 59-01

*503 64 02-01 (W)

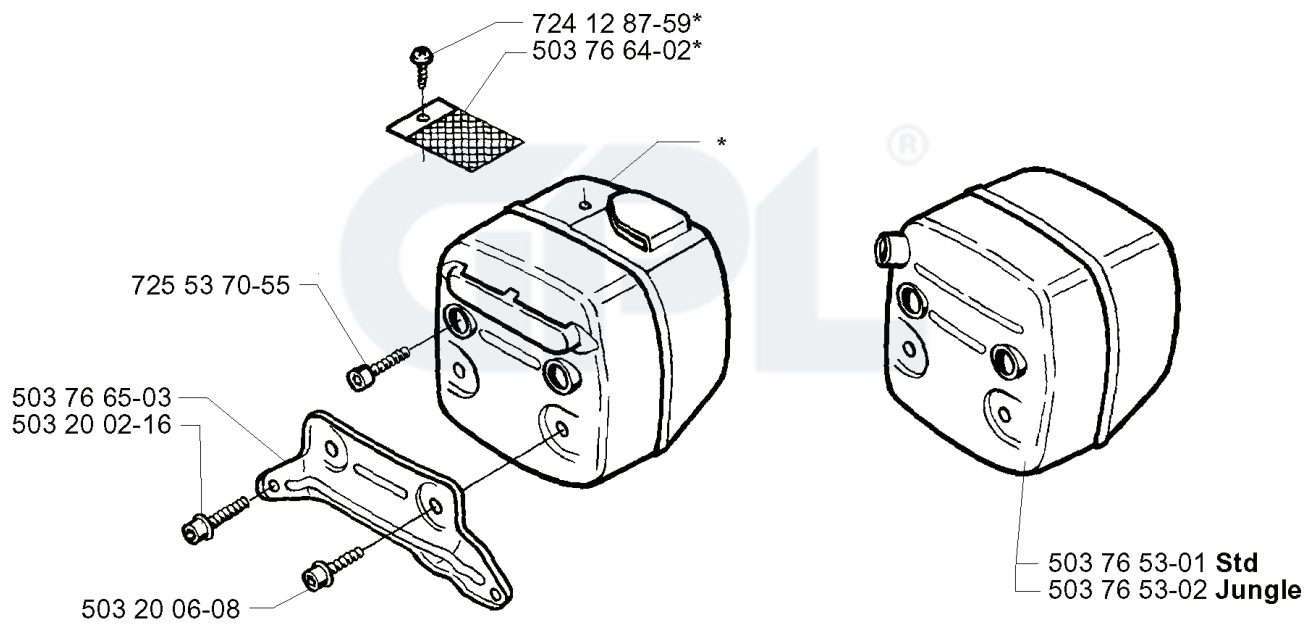


729 42 21-01 (W)



REF.	PART NO.	DESCRIPTION	REMARK	QTY.	KIT
537 08 72-01	537087201	KIT		1	
537 07 13-01	537071301	THERMOSTAT ASSY		1	
537 06 04-01	537060401	RETAINER		1	
537 07 18-01	537071801	STATOR ASSY		1	
503 20 26-16	503202616	SCREW IHSCM		1	
503 23 01-01	503230101	WASHER		1	
503 22 10-11	503221011	HEXAGON NUT		1	
503 55 49-01	503554901	SWITCH		1	
537 07 14-01	537071401	FOIL ELEMENT		1	
537 05 16-06	537051606	FLYWHEEL ASSY		1	
503 23 85-65	503238565	SHRINKAGE HOSE		1	
729 42 21-01	729422101	SCREW SLCSRT		1	
501 48 54-02	501485402	SPARK PLUG CAP		1	
503 71 82-01	503718201	SWITCH		1	
537 16 22-01	537162201	IGNITION SYSTEM		1	
503 20 02-20	503200220	SCREW IHSCFM		2	
537 05 16-05	537051605	FLYWHEEL ASSY		1	
501 81 99-01	501819901	SCREW		1	
537 01 55-01	537015501	STARTER PAWL		1	
503 23 00-42	503230042	WASHER		1	
503 21 05-22	503210522	SCREW IH SCT		1	
503 62 61-01	503626101	CABLE		1	
503 70 59-01	503705901	HEATING PLATE		1	
537 05 16-04	537051604	FLYWHEEL ASSY		1	
501 67 35-01	501673501	SPRING		1	
501 80 24-03	501802403	STATOR ASSY		1	
537 01 59-01	537015901	KIT		1	
503 64 02-01	503640201	SWITCH		1	
501 43 00-01	501430001	CABLE GROMMET		1	
503 89 76-01	503897601	CABLE		1	
503 21 28-10	503212810	SCREW CCRPANT		1	
503 21 06-16	503210616	SCREW IH SCT		1	
503 68 45-02	503684502	ANTIVIBRATION ELEMENT		1	
503 80 30-02	503803002	HANDLE		1	

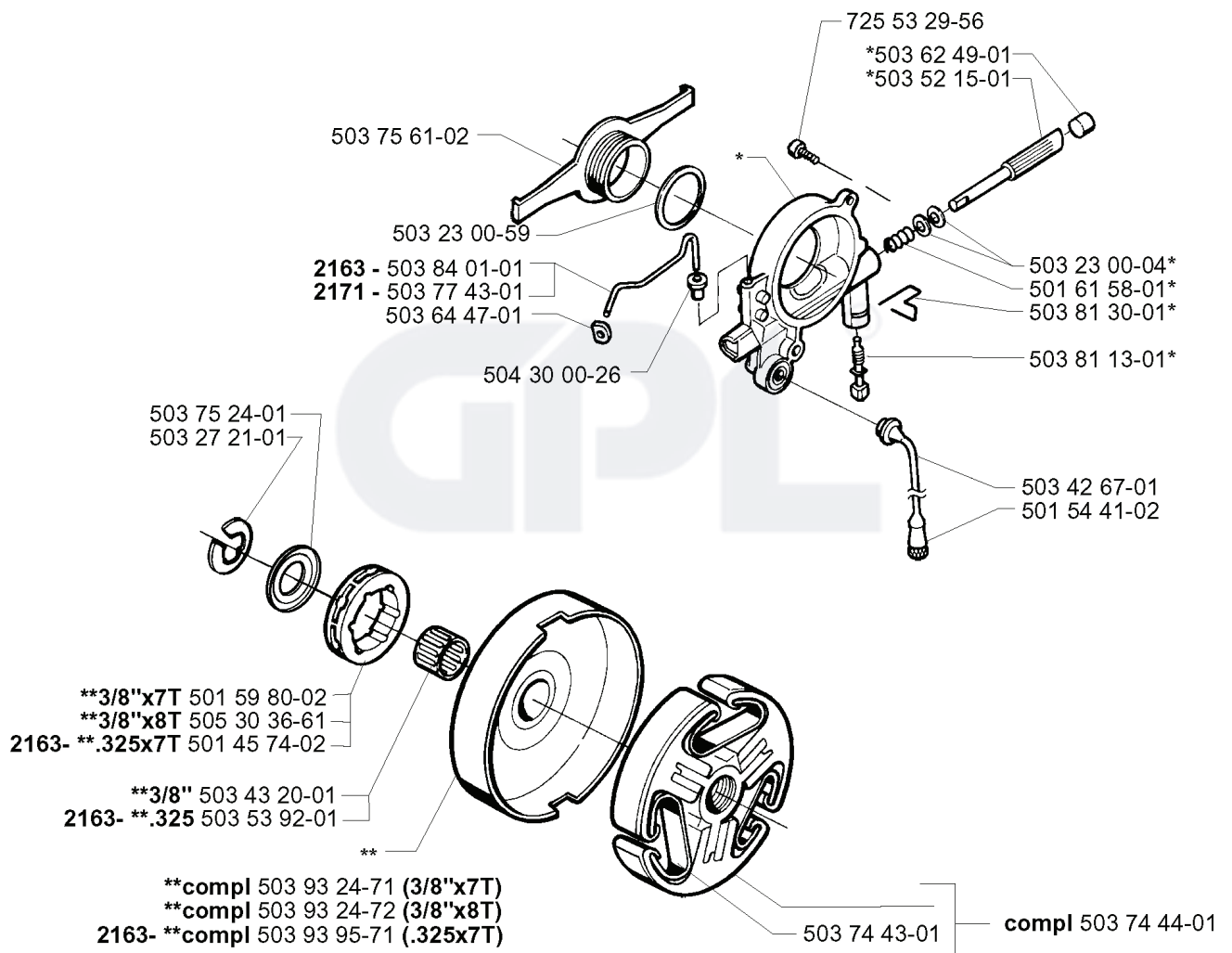
G *compl 503 76 52-01 FG
*compl 503 76 54-02 DF



REF.	PART NO.	DESCRIPTION	REMARK	QTY.	KIT
503 76 52-01	503765201	MUFFLER ASSY		1	
503 76 54-02	503765402	MUFFLER ASSY		1	
725 53 70-55	725537055	SCREW IHSCM		1	
503 76 65-03	503766503	BRACKET		1	
503 20 02-16	503200216	SCREW IHSCFM		1	
503 20 06-08	503200608	SCREW IHSCFM		1	
503 76 64-02	503766402	SPARK ARRESTER SCREEN		1	
724 12 87-59	724128759	SCREW CRPANM		1	
503 76 53-02	503765302	MUFFLER ASSY		1	
503 76 53-01	503765301	MUFFLER ASSY		1	



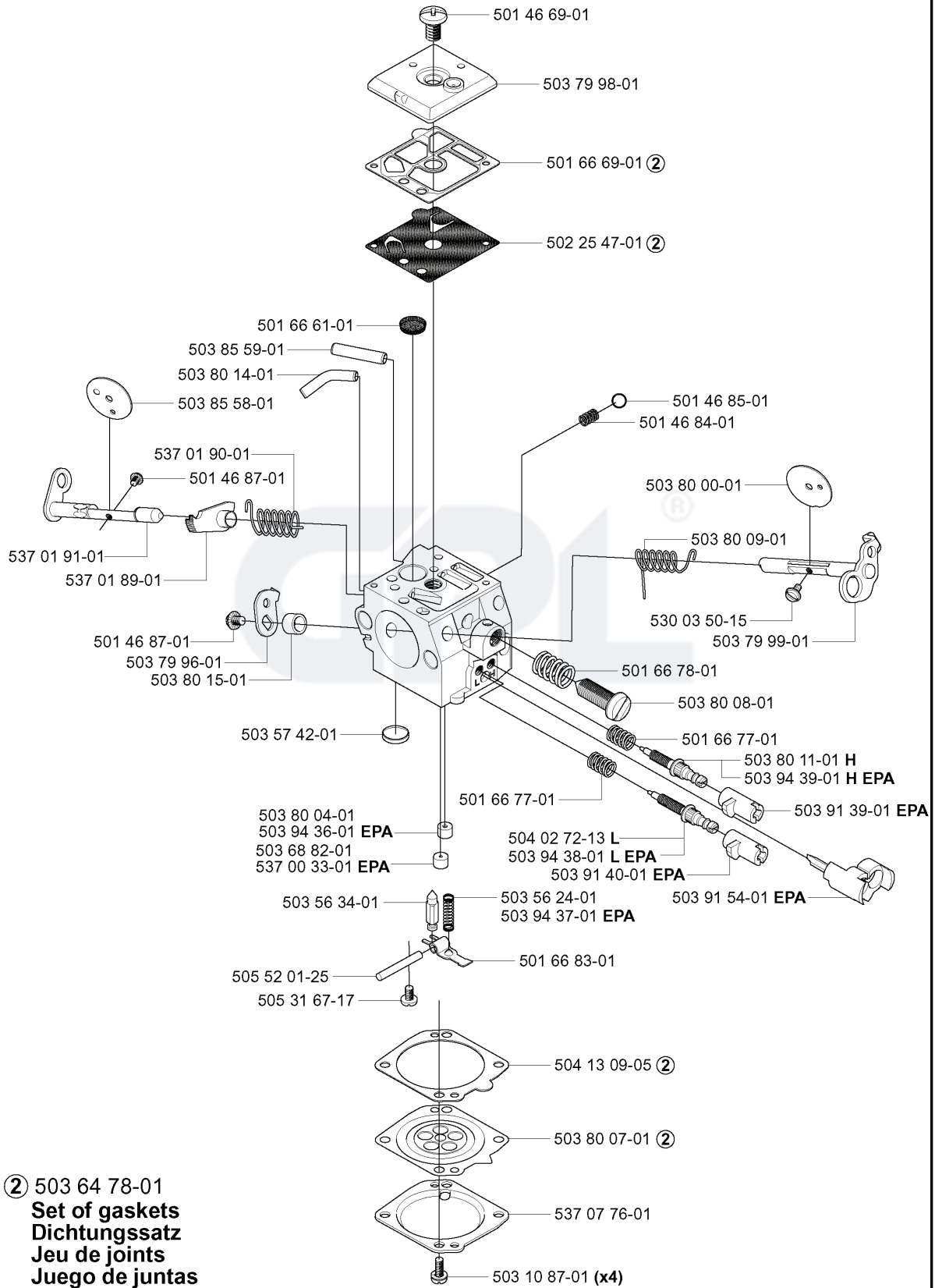
C *compl 503 52 13-01



REF.	PART NO.	DESCRIPTION	REMARK	QTY.	KIT
503 52 13-01	503521301	OIL PUMP ASSY		1	
503 75 61-02	503756102	GEAR WHEEL		1	
503 23 00-59	503230059	WASHER		1	
503 84 01-01	503840101	OIL PIPE		1	
503 77 43-01	503774301	OIL PIPE		1	
503 64 47-01	503644701	BUSHING		1	
504 30 00-26	504300026	SEALING		1	
503 75 24-01	503752401	WASHER		1	
503 27 21-01	503272101	E-CLIP		1	
501 59 80-02	501598002	RIM		1	
505 30 36-61	505303661	RIM		1	
501 45 74-02	501457402	RIM		1	
503 43 20-01	503432001	NEEDLE HOLDER		1	
503 53 92-01	503539201	NEEDLE BEARING		1	
503 93 24-71	503932471	CLUTCH DRUM		1	
503 93 24-72	503932472	CLUTCH DRUM		1	
503 93 95-71	503939571	CLUTCH DRUM		1	
503 74 43-01	503744301	CLUTCH SPRING		1	
503 74 44-01	503744401	CLUTCH ASSY		1	
501 54 41-02	501544102	OIL SCREEN		1	
503 42 67-01	503426701	OIL HOSE		1	
503 81 13-01	503811301	SCREW		1	
503 81 30-01	503813001	SPRING		1	
501 61 58-01	501615801	SPRING		1	
503 23 00-04	503230004	WASHER		1	
503 52 15-01	503521501	PUMP PISTON		1	
503 62 49-01	503624901	SEALING PLUG		1	
725 53 29-56	725532956	SCREW IHSCM		1	

Q compl 503 28 18-04
 compl 503 28 18-05 EPA

Walbro HD-6B Walbro HD-12B EPA



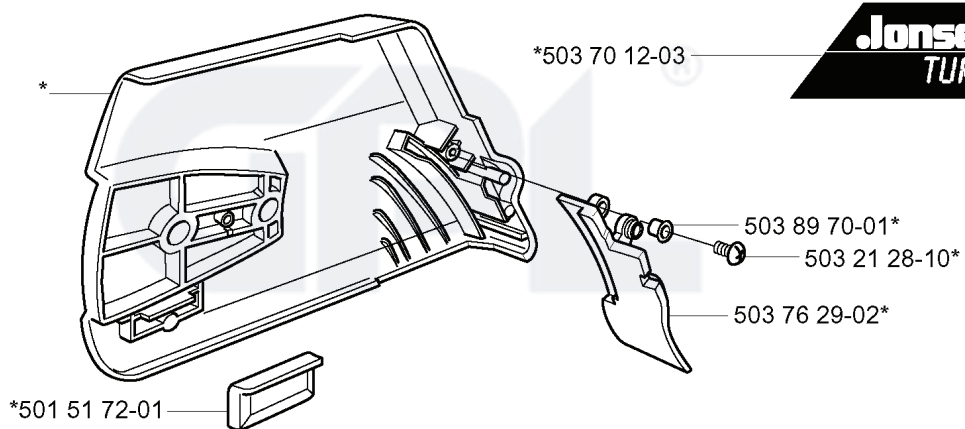
② 503 64 78-01
Set of gaskets
Dichtungssatz
Jeu de joints
Juego de juntas
Packningssats

REF.	PART NO.	DESCRIPTION	REMARK	QTY.	KIT
503 28 18-04	503281804	CARBURETTOR		1	
503 28 18-05	503281805	CARBURETTOR		1	
501 66 61-01	501666101	SCREEN		1	
503 85 59-01	503855901	FITTING		1	
503 80 14-01	503801401	FITTING		1	
503 85 58-01	503855801	VALVE		1	
537 01 90-01	537019001	SPRING		1	
537 01 91-01	537019101	SHAFT ASSY		1	
537 01 89-01	537018901	LEVER		1	
501 46 87-01	501468701	SCREW		1	
503 79 96-01	503799601	LEVER		1	
503 80 15-01	503801501	WASHER		1	
503 57 42-01	503574201	PLUG		1	
503 80 04-01	503800401	NOZZLE		1	
503 94 36-01	503943601	NOZZLE ASSY		1	
503 68 82-01	503688201	JET		1	
537 00 33-01	537003301	JET		1	
503 56 34-01	503563401	NEEDLE VALVE		1	
505 52 01-25	505520125	PIN		1	
505 31 67-17	505316717	SCREW		1	
503 10 87-01	503108701	SCREW		4	
537 07 76-01	537077601	COVER		1	
503 80 07-01	503800701	DIAPHRAGM		1	
504 13 09-05	504130905	GASKET		1	
501 66 83-01	501668301	LEVER		1	
503 94 37-01	503943701	SPRING		1	
503 56 24-01	503562401	SPRING		1	
503 91 40-01	503914001	LIMITER CAP		1	
503 94 38-01	503943801	NEEDLE		1	
504 02 72-13	504027213	NEEDLE-IDLE SPEED		1	
503 91 54-01	503915401	RETAINER		1	
503 91 39-01	503913901	LIMITER CAP		1	
503 94 39-01	503943901	NEEDLE		1	
503 80 11-01	503801101	NEEDLE		1	
501 66 77-01	501667701	SPRING		1	
503 80 08-01	503800801	SCREW		1	
501 66 78-01	501667801	SPRING		1	
503 79 99-01	503799901	SHAFT		1	
530 03 50-15	530035015	SCREW		1	
503 80 09-01	503800901	SPRING		1	
503 80 00-01	503800001	VALVE		1	

REF.	PART NO.	DESCRIPTION	REMARK	QTY.	KIT
501 46 84-01	501468401	SPRING		1	
501 46 85-01	501468501	BALL		1	
502 25 47-01	502254701	DIAPHRAGM PUMP		1	
501 66 69-01	501666901	GASKET		1	
503 79 98-01	503799801	COVER		1	
501 46 69-01	501466901	SCREW		1	



B *compl 503 73 51-01 2163

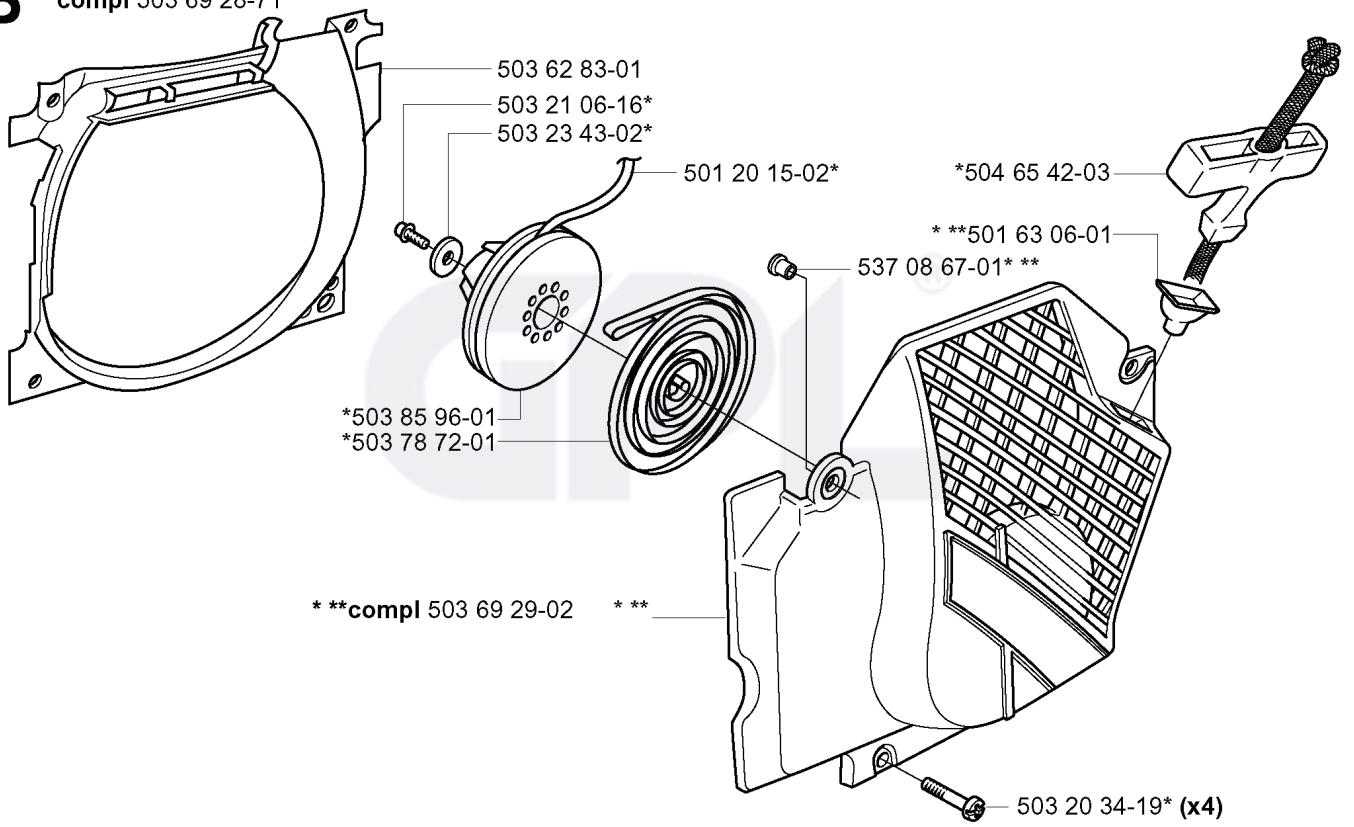


REF.	PART NO.	DESCRIPTION	REMARK	QTY.	KIT
5037351-01	503735101	CLUTCH COVER ASSY		1	
5015172-01	501517201	CHAIN GUIDE		1	
5037629-02	503762902	CHIP GUARD		1	
5032128-10	503212810	SCREW CCRPANT		1	
5038970-01	503897001	SLEEVE		1	
5037012-03	503701203	LABEL		1	



P

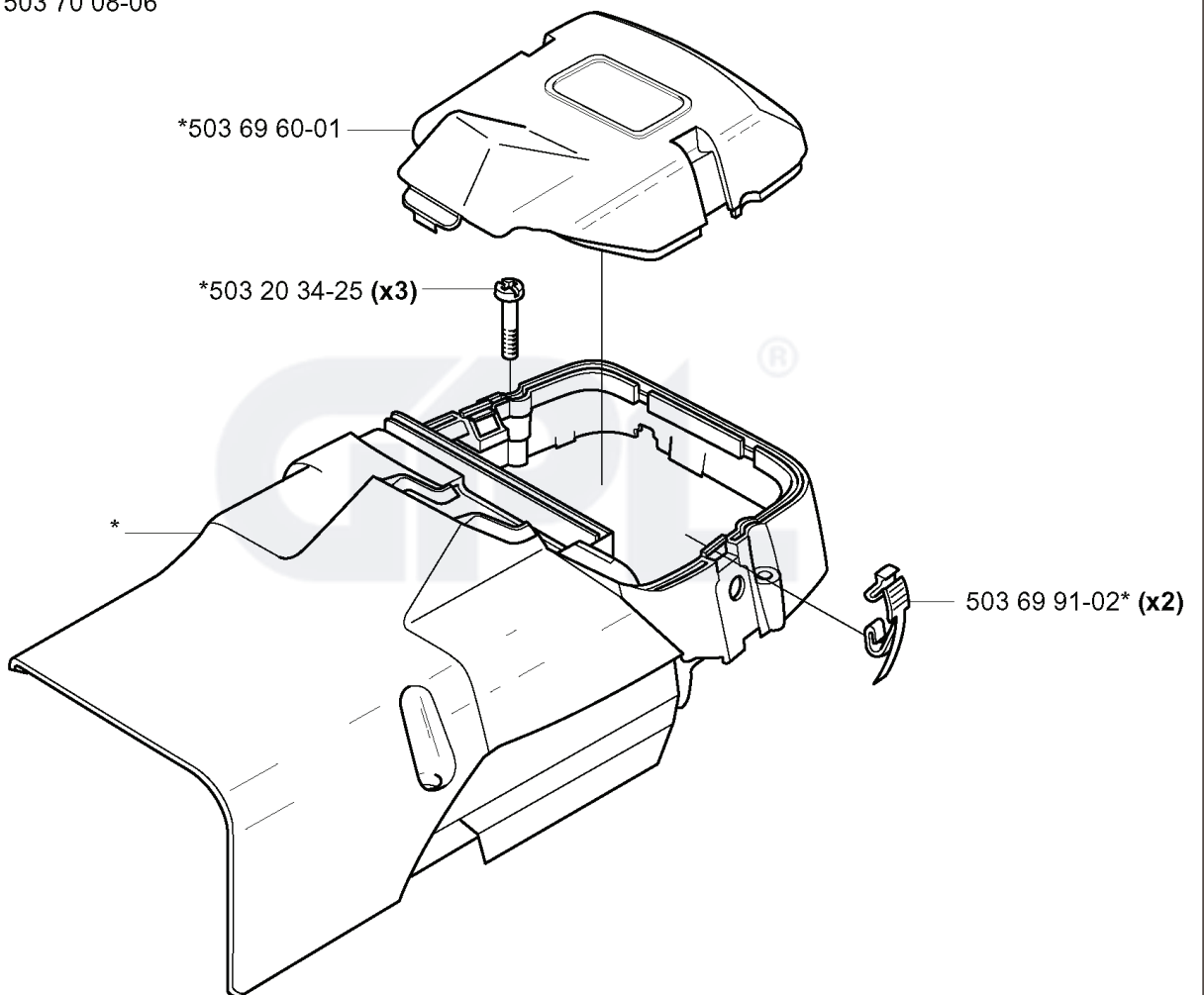
*compl 503 69 28-71



REF.	PART NO.	DESCRIPTION	REMARK	QTY.	KIT
503 69 28-71	503692871	STARTER ASSY		1	
503 85 96-01	503859601	STARTER PULLEY		1	
503 78 72-01	503787201	RECOIL SPRING		1	
503 69 29-02	503692902	STARTER HOUSING		1	
503 23 43-02	503234302	WASHER		1	
503 21 06-16	503210616	SCREW IHSCT		1	
503 62 83-01	503628301	AIR CONDUCTOR		1	
501 20 15-02	501201502	STARTER ROPE		1	
503 20 34-19	503203419	SCREW CCRPANMO		4	
537 08 67-01	537086701	BUSHING		1	
501 63 06-01	501630601	SLEEVE		1	
504 65 42-03	504654203	STARTER HANDLE		1	



D *compl 503 70 08-06



REF.	PART NO.	DESCRIPTION	REMARK	QTY.	KIT
503 70 08-06	503700806	CYLINDER COVER ASSY		1	
503 69 60-01	503696001	FILTER COVER		1	
503 20 34-25	503203425	SCREW CCRPANMO		3	
503 69 91-02	503699102	SNAP LOCKING		2	



H

80 μ 503 81 45-01
44 μ 503 81 45-02
Felt 503 81 45-03

503 73 54-01

503 62 75-01
725 53 05-55

503 28 18-04
503 28 18-05 EPA

503 40 06-06

compl 503 71 27-01

503 22 65-03

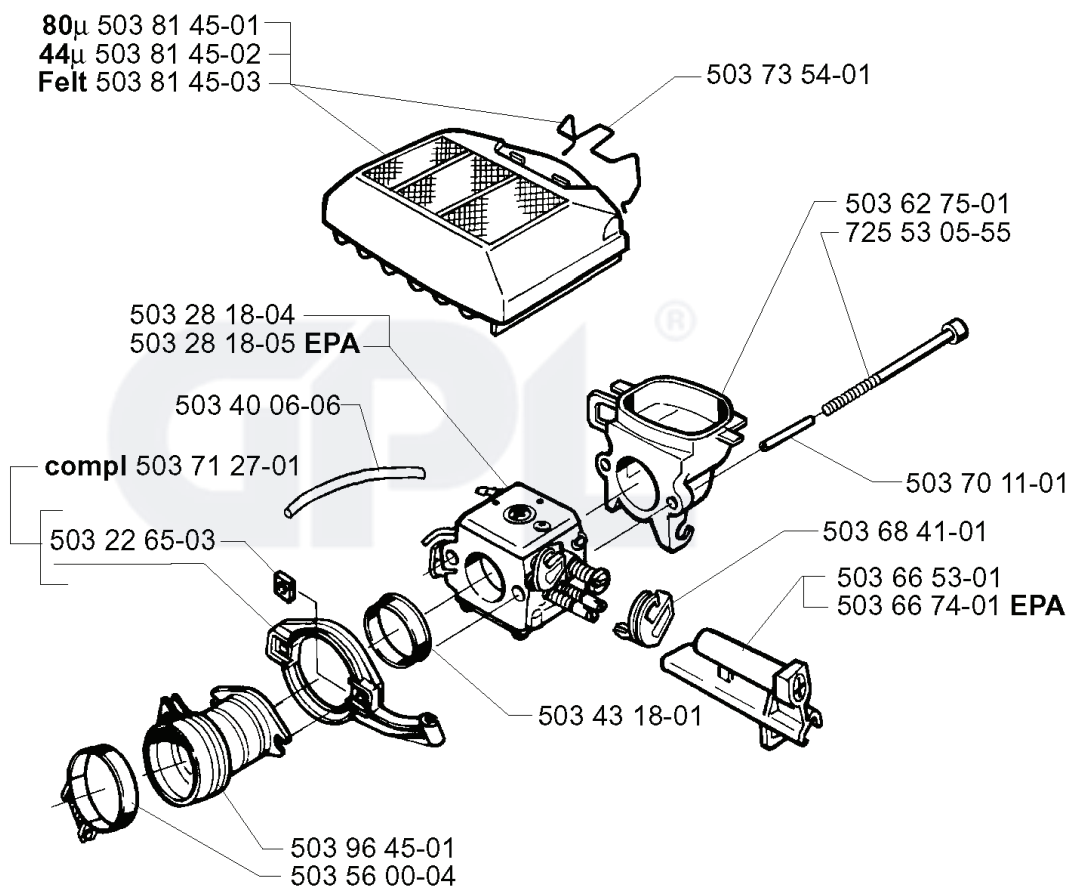
503 70 11-01

503 68 41-01

503 66 53-01
503 66 74-01 EPA

503 43 18-01

503 96 45-01
503 56 00-04

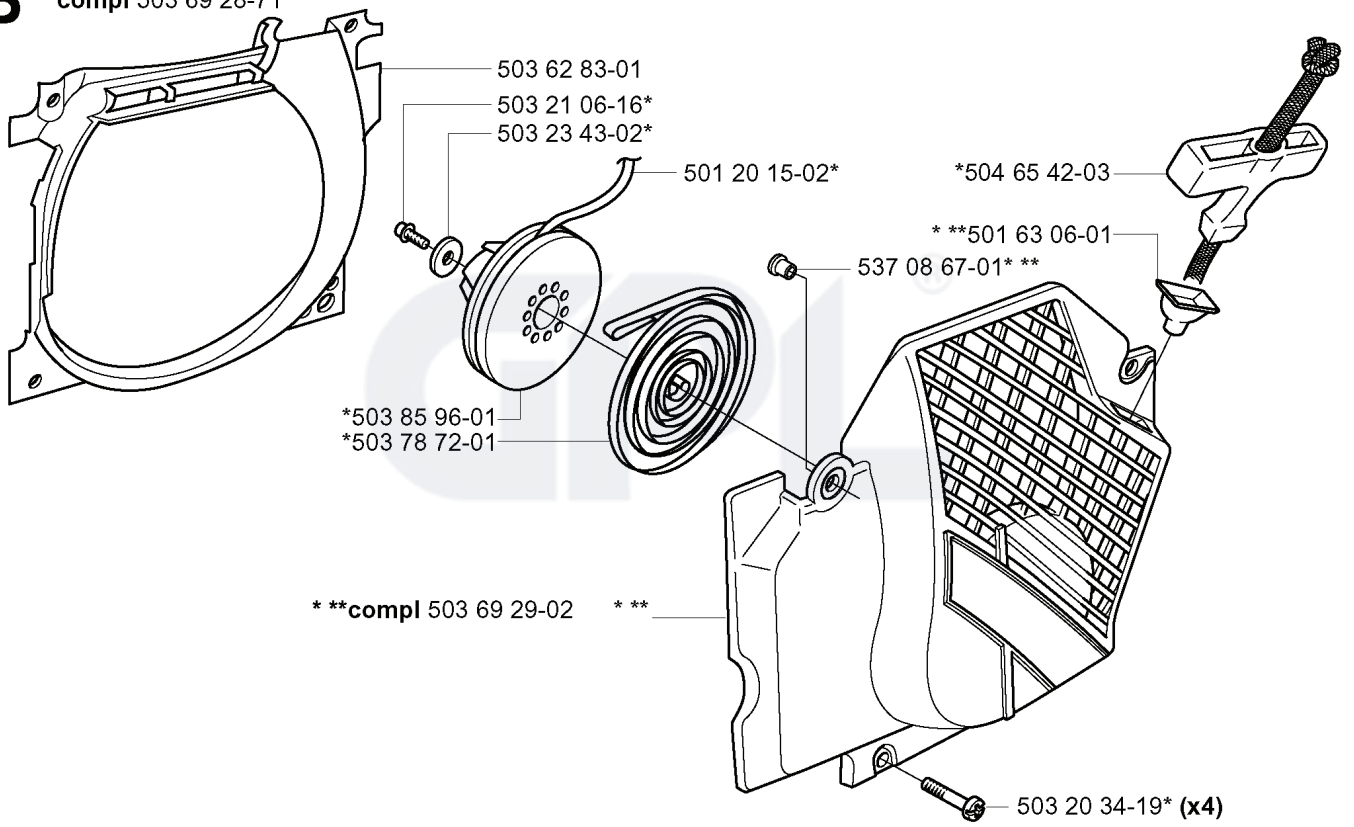


REF.	PART NO.	DESCRIPTION	REMARK	QTY.	KIT
503 81 45-01	503814501	AIR FILTER ASSY		1	
503 81 45-02	503814502	AIR FILTER ASSY		1	
503 81 45-03	503814503	AIR FILTER ASSY		1	
503 28 18-04	503281804	CARBURETTOR		1	
503 28 18-05	503281805	CARBURETTOR		1	
503 40 06-06	503400606	IMPULSE HOSE		1	
503 71 27-01	503712701	FLANGE		1	
503 22 65-03	503226503	SQUARE NUT		1	
503 96 45-01	503964501	INLET PIPE		1	
503 56 00-04	503560004	HOSE CLAMP		1	
503 43 18-01	503431801	SUPPORT SLEEVE		1	
503 66 74-01	503667401	GUIDE BUSHING		1	
503 66 53-01	503665301	GUIDE BUSHING		1	
503 68 41-01	503684101	LEVER		1	
503 70 11-01	503701101	TUBE		1	
725 53 05-55	725530555	SCREW IHSCM		1	
503 62 75-01	503627501	FILTER HOLDER		1	
503 73 54-01	503735401	CLAMP		1	



P

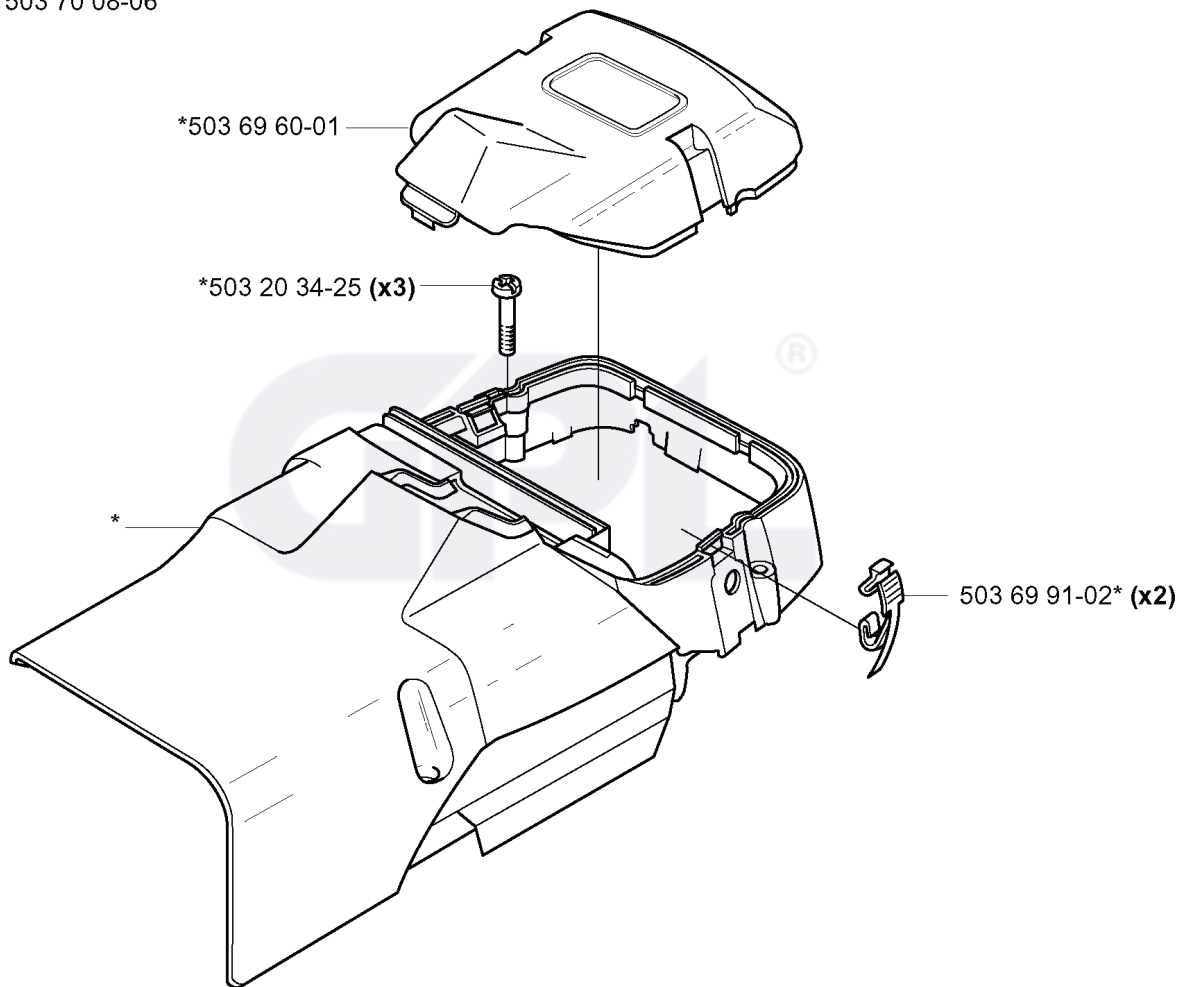
*compl 503 69 28-71



REF.	PART NO.	DESCRIPTION	REMARK	QTY.	KIT
503 69 28-71	503692871	STARTER ASSY		1	
503 69 29-02	503692902	STARTER HOUSING		1	
503 78 72-01	503787201	RECOIL SPRING		1	
503 85 96-01	503859601	STARTER PULLEY		1	
503 23 43-02	503234302	WASHER		1	
503 21 06-16	503210616	SCREW IHSCT		1	
503 62 83-01	503628301	AIR CONDUCTOR		1	
501 20 15-02	501201502	STARTER ROPE		1	
537 08 67-01	537086701	BUSHING		1	
503 20 34-19	503203419	SCREW CCRPANMO		4	
501 63 06-01	501630601	SLEEVE		1	
504 65 42-03	504654203	STARTER HANDLE		1	



D *compl 503 70 08-06

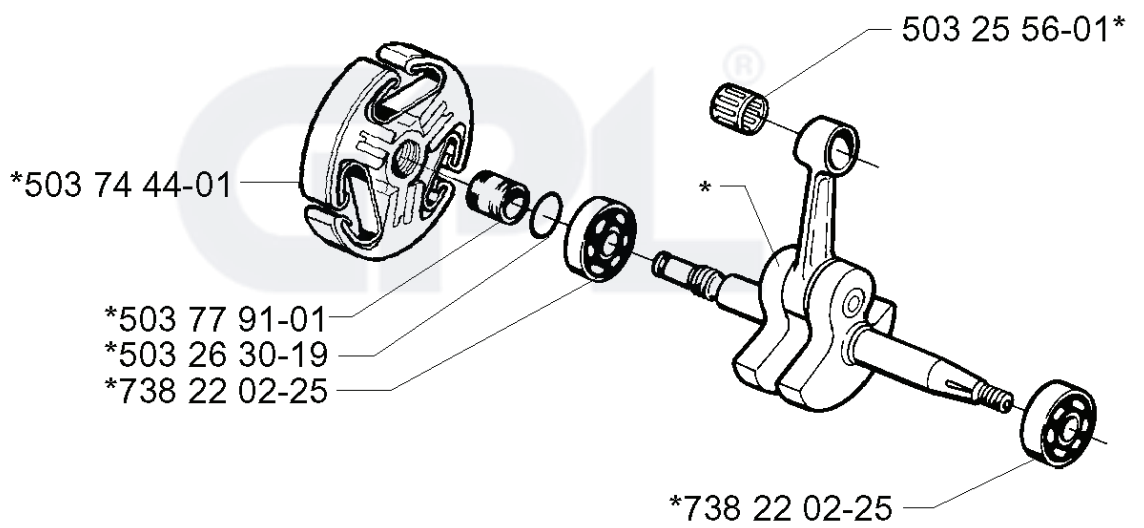


REF.	PART NO.	DESCRIPTION	REMARK	QTY.	KIT
503 70 08-06	503700806	CYLINDER COVER ASSY		1	
503 69 60-01	503696001	FILTER COVER		1	
503 20 34-25	503203425	SCREW CCRPANMO		3	
503 69 91-02	503699102	SNAP LOCKING		2	



F

*compl 503 74 87-01

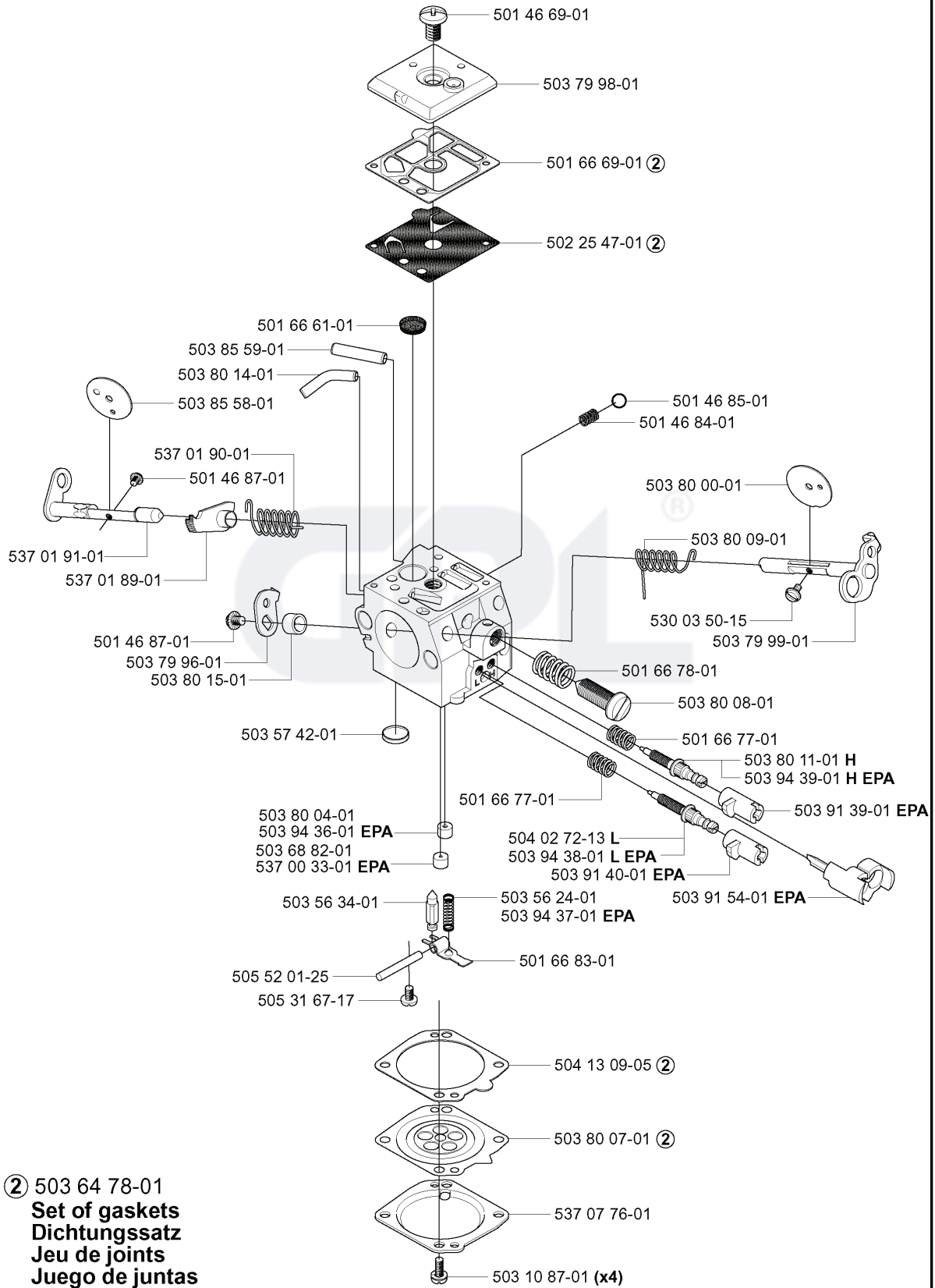


REF.	PART NO.	DESCRIPTION	REMARK	QTY.	KIT
503 74 87-01	503748701	CRANKSHAFT ASSY		1	
503 74 44-01	503744401	CLUTCH ASSY		1	
503 77 91-01	503779101	SLEEVE		1	
503 26 30-19	503263019	O-RING		1	
738 22 02-25	738220225	BALL BEARING		1	
503 25 56-01	503255601	NEEDLE BEARING		1	



Q compl 503 28 18-04
 compl 503 28 18-05 EPA

Walbro HD-6B Walbro HD-12B EPA



② 503 64 78-01
Set of gaskets
Dichtungssatz
Jeu de joints
Juego de juntas
Packningssats

REF.	PART NO.	DESCRIPTION	REMARK	QTY.	KIT
503 28 18-04	503281804	CARBURETTOR		1	
503 28 18-05	503281805	CARBURETTOR	EPA	1	
501 66 61-01	501666101	SCREEN		1	
503 85 59-01	503855901	FITTING		1	
503 80 14-01	503801401	FITTING		1	
503 85 58-01	503855801	VALVE		1	
537 01 90-01	537019001	SPRING		1	
501 46 87-01	501468701	SCREW		1	
537 01 91-01	537019101	SHAFT ASSY		1	
537 01 89-01	537018901	LEVER		1	
503 79 96-01	503799601	LEVER		1	
503 80 15-01	503801501	WASHER		1	
503 57 42-01	503574201	PLUG		1	
503 80 04-01	503800401	NOZZLE		1	
503 94 36-01	503943601	NOZZLE ASSY	EPA	1	
503 68 82-01	503688201	JET		1	
537 00 33-01	537003301	JET	EPA	1	
503 56 34-01	503563401	NEEDLE VALVE		1	
505 52 01-25	505520125	PIN		1	
505 31 67-17	505316717	SCREW		1	
503 10 87-01	503108701	SCREW		4	
537 07 76-01	537077601	COVER		1	
503 80 07-01	503800701	DIAPHRAGM	503 64 78-01 SET OF GASKETS	1	
504 13 09-05	504130905	GASKET	503 64 78-01 SET OF GASKETS	1	
501 66 83-01	501668301	LEVER		1	
503 94 37-01	503943701	SPRING	EPA	1	
503 56 24-01	503562401	SPRING		1	
503 91 40-01	503914001	LIMITER CAP	EPA	1	
503 94 38-01	503943801	NEEDLE	L EPA	1	
504 02 72-13	504027213	NEEDLE-IDLE SPEED	L	1	
503 91 54-01	503915401	RETAINER	EPA	1	
503 91 39-01	503913901	LIMITER CAP	EPA	1	
503 94 39-01	503943901	NEEDLE	H EPA	1	
503 80 11-01	503801101	NEEDLE	H	1	
501 66 77-01	501667701	SPRING		1	
503 80 08-01	503800801	SCREW		1	
501 66 78-01	501667801	SPRING		1	
503 79 99-01	503799901	SHAFT		1	
530 03 50-15	530035015	SCREW		1	
503 80 09-01	503800901	SPRING		1	
503 80 00-01	503800001	VALVE		1	

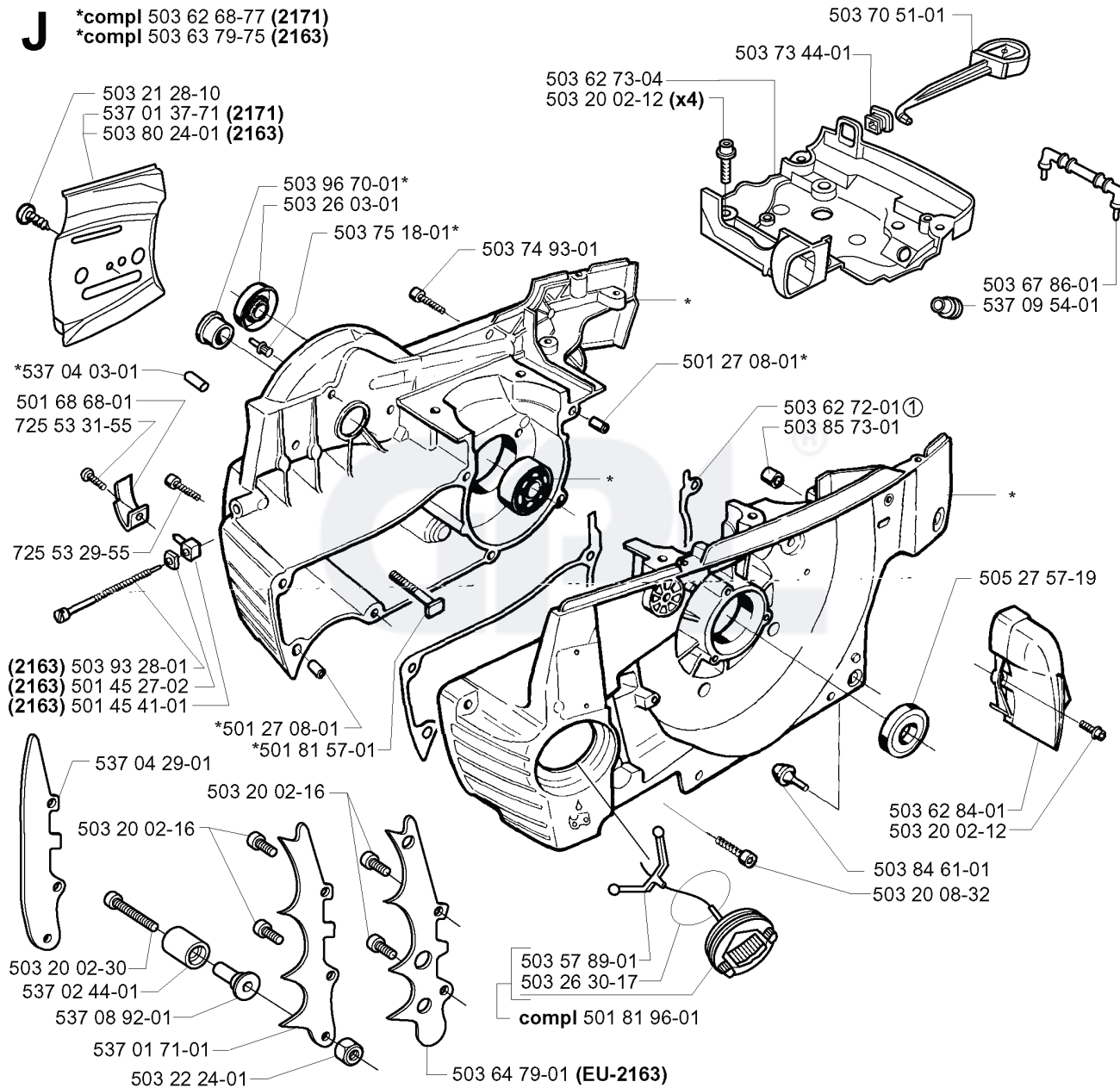
REF.	PART NO.	DESCRIPTION	REMARK	QTY.	KIT
501 46 84-01	501468401	SPRING		1	
501 46 85-01	501468501	BALL		1	
502 25 47-01	502254701	DIAPHRAGM PUMP	503 64 78-01 SET OF GASKETS	1	
501 66 69-01	501666901	GASKET	503 64 78-01 SET OF GASKETS	1	
503 79 98-01	503799801	COVER		1	
501 46 69-01	501466901	SCREW		1	



J

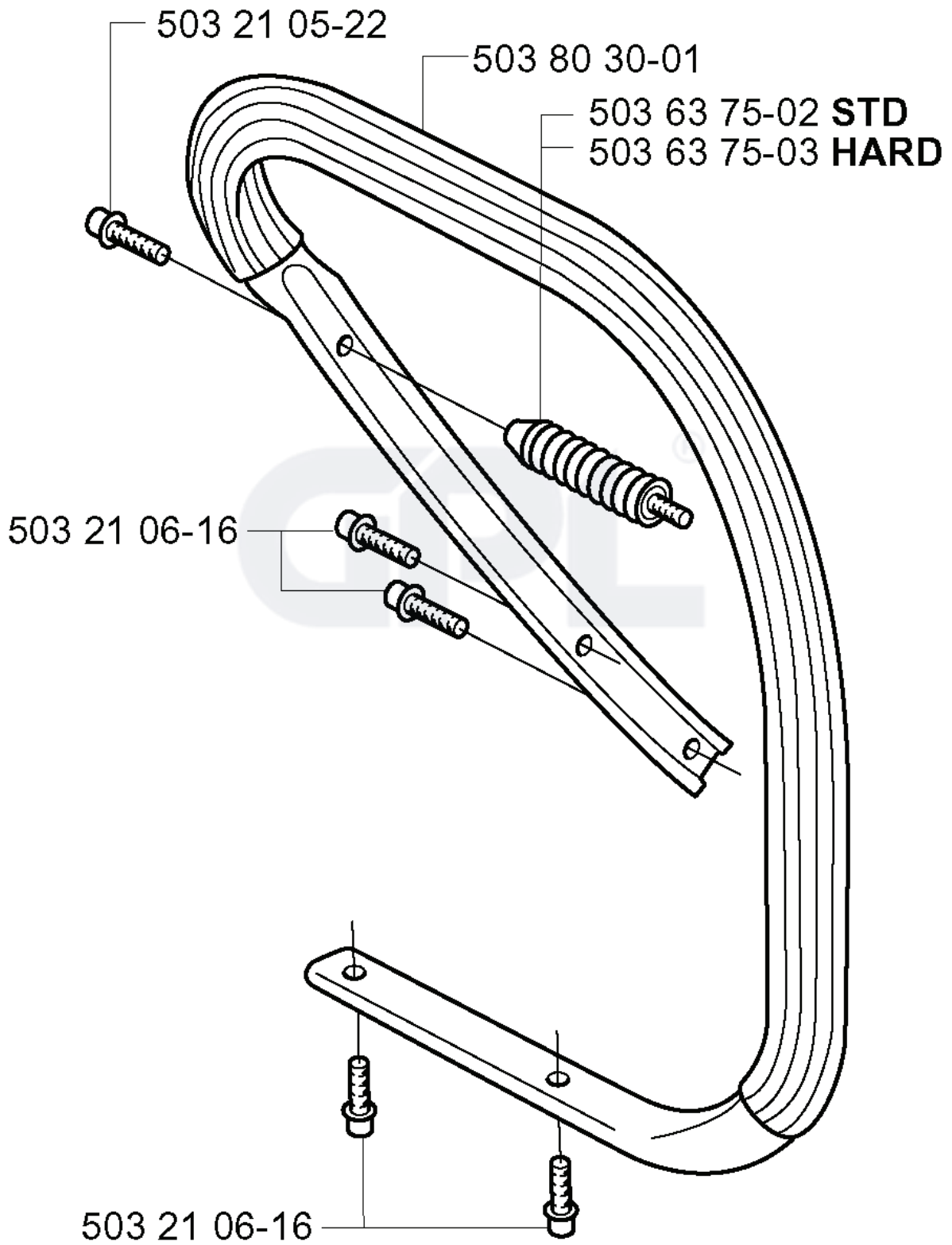
*compl 503 62 68-77 (2171)

*compl 503 63 79-75 (2163)



REF.	PART NO.	DESCRIPTION	REMARK	QTY.	KIT
503 62 68-77	503626877	CRANKCASE ASSY	2171	1	
503 63 79-75	503637975	CRANKCASE ASSY	2163	1	
503 21 28-10	503212810	SCREW CCRPANT		1	
537 01 37-71	537013771	CHAIN GUIDE PLATE	2171	1	
503 80 24-01	503802401	CHAIN GUIDE PLATE	2163	1	
537 04 03-01	537040301	VALVE		1	
501 68 68-01	501686801	CHAIN CATCHER		1	
725 53 31-55	725533155	SCREW IHSCM		1	
725 53 29-55	725532955	SCREW IHSCM		1	
503 93 28-01	503932801	SCREW	2163	1	
501 45 27-02	501452702	LOCK NUT	2163	1	
501 45 41-01	501454101	NUT	2163	1	
537 04 29-01	537042901	BUMPER		1	
503 20 02-30	503200230	SCREW IHSCFM		1	
537 02 44-01	537024401	WEAR PROTECTION		1	
537 08 92-01	537089201	CHAIN CATCHER		1	
537 01 71-01	537017101	SPIKE		1	
503 22 24-01	503222401	LOCK NUT		1	
503 20 02-16	503200216	SCREW IHSCFM		1	
501 81 57-01	501815701	BAR BOLT		1	
501 27 08-01	501270801	GUIDE BUSHING		1	
503 75 18-01	503751801	PIN		1	
503 26 03-01	503260301	SEALING RING		1	
503 96 70-01	503967001	BUSHING		1	
503 74 93-01	503749301	SCREW		1	
503 57 89-01	503578901	HOLDER		1	
503 26 30-17	503263017	O-RING		1	
501 81 96-01	501819601	TANK CAP ASSY		1	
503 64 79-01	503647901	SPIKE	EU-2163	1	
503 20 08-32	503200832	SCREW IHSCM		1	
503 84 61-01	503846101	BUFFER		1	
503 62 84-01	503628401	AIR NOZZLE		1	
505 27 57-19	505275719	SEALING RING		1	
503 85 73-01	503857301	COVER		1	
503 62 72-01	503627201	GASKET		1	
503 20 02-12	503200212	SCREW IHSCFM		4	
503 62 73-04	503627304	CARBURETTOR		1	
537 09 54-01	537095401	GROMMET		1	
503 67 86-01	503678601	STÖTTA FÖRGASARE		1	
503 73 44-01	503734401	GROMMET		1	
503 70 51-01	503705101	CHOKE CONTROL		1	

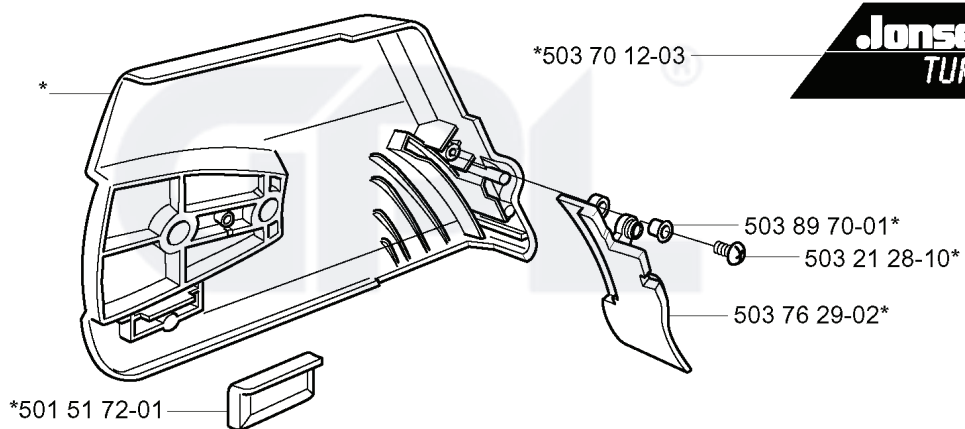
L



REF.	PART NO.	DESCRIPTION	REMARK	QTY.	KIT
503 21 05- 22	503210522	SCREW IHSCT		1	
503 21 06- 16	503210616	SCREW IHSCT		1	
503 63 75- 03	503637503	ANTIVIBRATION ELEMENT	HARD	1	
503 63 75- 02	503637502	ANTIVIBRATION ELEMENT	STD	1	
503 80 30- 01	503803001	HANDLE		1	

GPL®

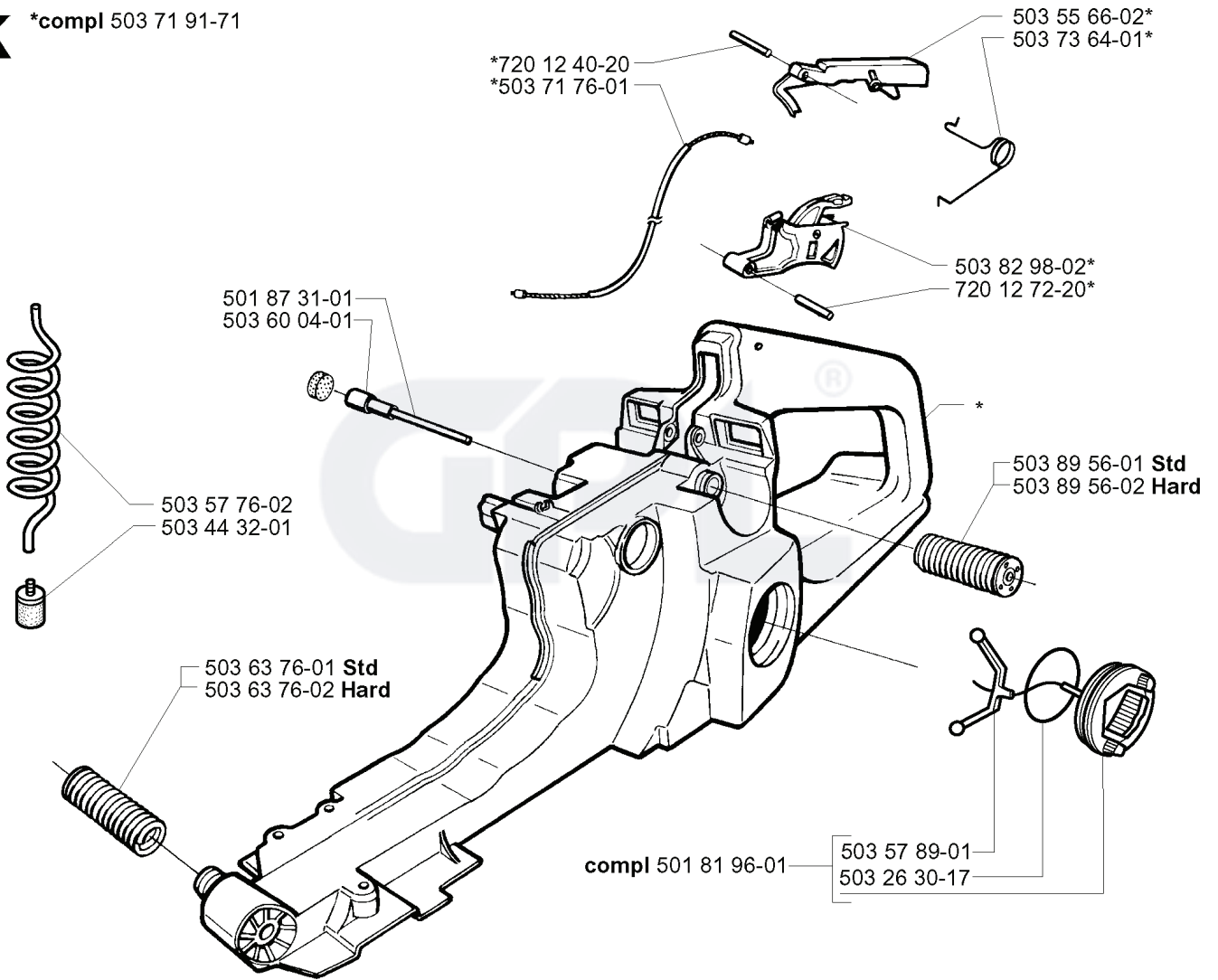
B *compl 503 73 51-01 2163



REF.	PART NO.	DESCRIPTION	REMARK	QTY.	KIT
5037351-01	503735101	CLUTCH COVER ASSY	2163	1	
5015172-01	501517201	CHAIN GUIDE		1	
5037629-02	503762902	CHIP GUARD		1	
5032128-10	503212810	SCREW CCRPANT		1	
5038970-01	503897001	SLEEVE		1	
5037012-03	503701203	LABEL		1	

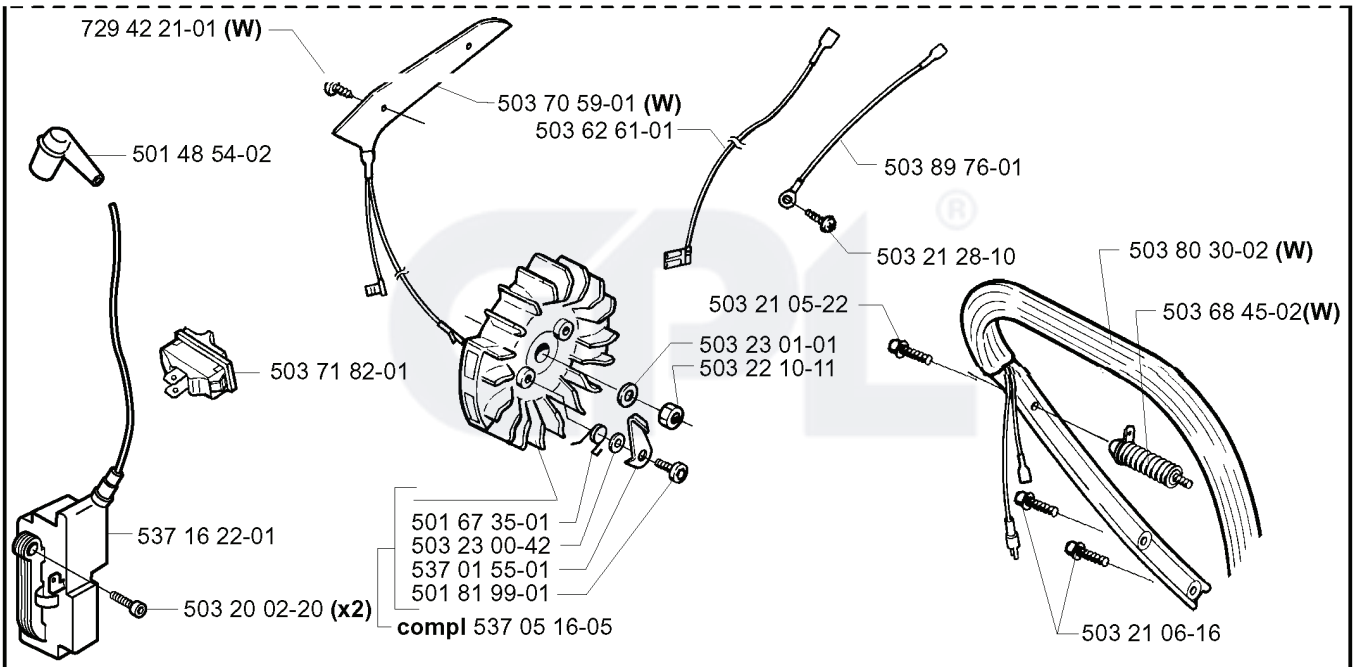


K *compl 503 71 91-71

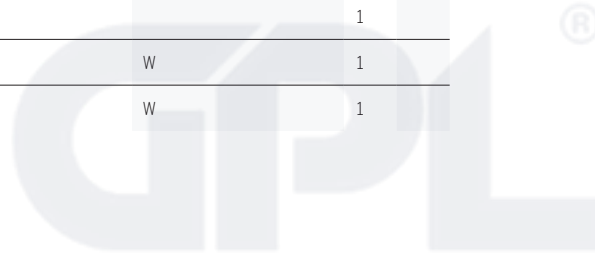


REF.	PART NO.	DESCRIPTION	REMARK	QTY.	KIT
503 71 91-71	503719171	FUEL TANK		1	
720 12 40-20	720124020	PARALLEL PIN		1	
503 71 76-01	503717601	THROTTLE CABLE ASSY		1	
501 87 31-01	501873101	TANK VENT ASSY		1	
503 60 04-01	503600401	FILTER PLUG		1	
503 57 76-02	503577602	FUEL HOSE		1	
503 44 32-01	503443201	FUEL FILTER		1	
503 63 76-01	503637601	ANTIVIBRATION ELEMENT	STD	1	
503 63 76-02	503637602	ANTIVIBRATION ELEMENT	HARD	1	
501 81 96-01	501819601	TANK CAP ASSY		1	
503 26 30-17	503263017	O-RING		1	
503 57 89-01	503578901	HOLDER		1	
503 89 56-02	503895602	ANTIVIBRATION ELEMENT	HARD	1	
503 89 56-01	503895601	ANTIVIBRATION ELEMENT	STD	1	
720 12 72-20	720127220	PARALLEL PIN		1	
503 82 98-02	503829802	THROTTLE TRIGGER		1	
503 73 64-01	503736401	SPRING		1	
503 55 66-02	503556602	THROTTLE LOCKOUT		1	

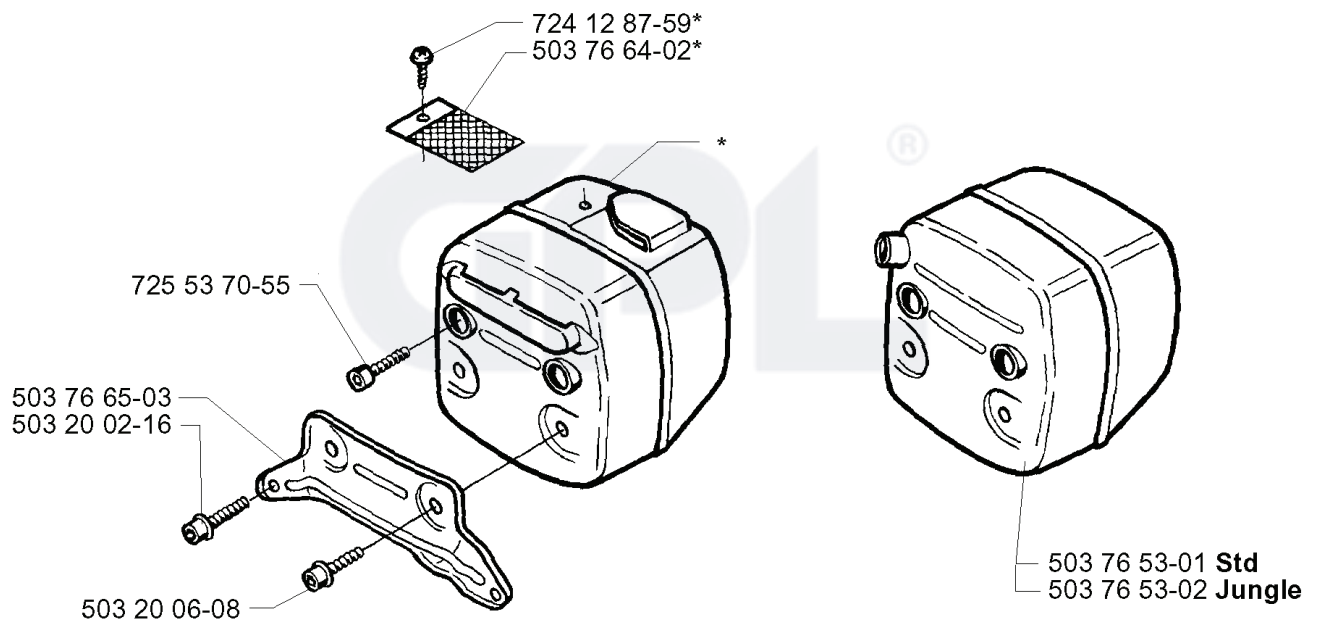




REF.	PART NO.	DESCRIPTION	REMARK	QTY.	KIT
729 42 21-01	729422101	SCREW SLCSRT	W	1	
501 48 54-02	501485402	SPARK PLUG CAP		1	
503 71 82-01	503718201	SWITCH		1	
537 16 22-01	537162201	IGNITION SYSTEM		1	
503 20 02-20	503200220	SCREW IHSCFM		2	
537 05 16-05	537051605	FLYWHEEL ASSY		1	
501 81 99-01	501819901	SCREW		1	
537 01 55-01	537015501	STARTER PAWL		1	
503 23 00-42	503230042	WASHER		1	
501 67 35-01	501673501	SPRING		1	
503 62 61-01	503626101	CABLE		1	
503 70 59-01	503705901	HEATING PLATE	W	1	
503 21 05-22	503210522	SCREW IH SCT		1	
503 23 01-01	503230101	WASHER		1	
503 22 10-11	503221011	HEXAGON NUT		1	
503 21 06-16	503210616	SCREW IH SCT		1	
503 21 28-10	503212810	SCREW CCRPANT		1	
503 89 76-01	503897601	CABLE		1	
503 68 45-02	503684502	ANTIVIBRATION ELEMENT	W	1	
503 80 30-02	503803002	HANDLE	W	1	



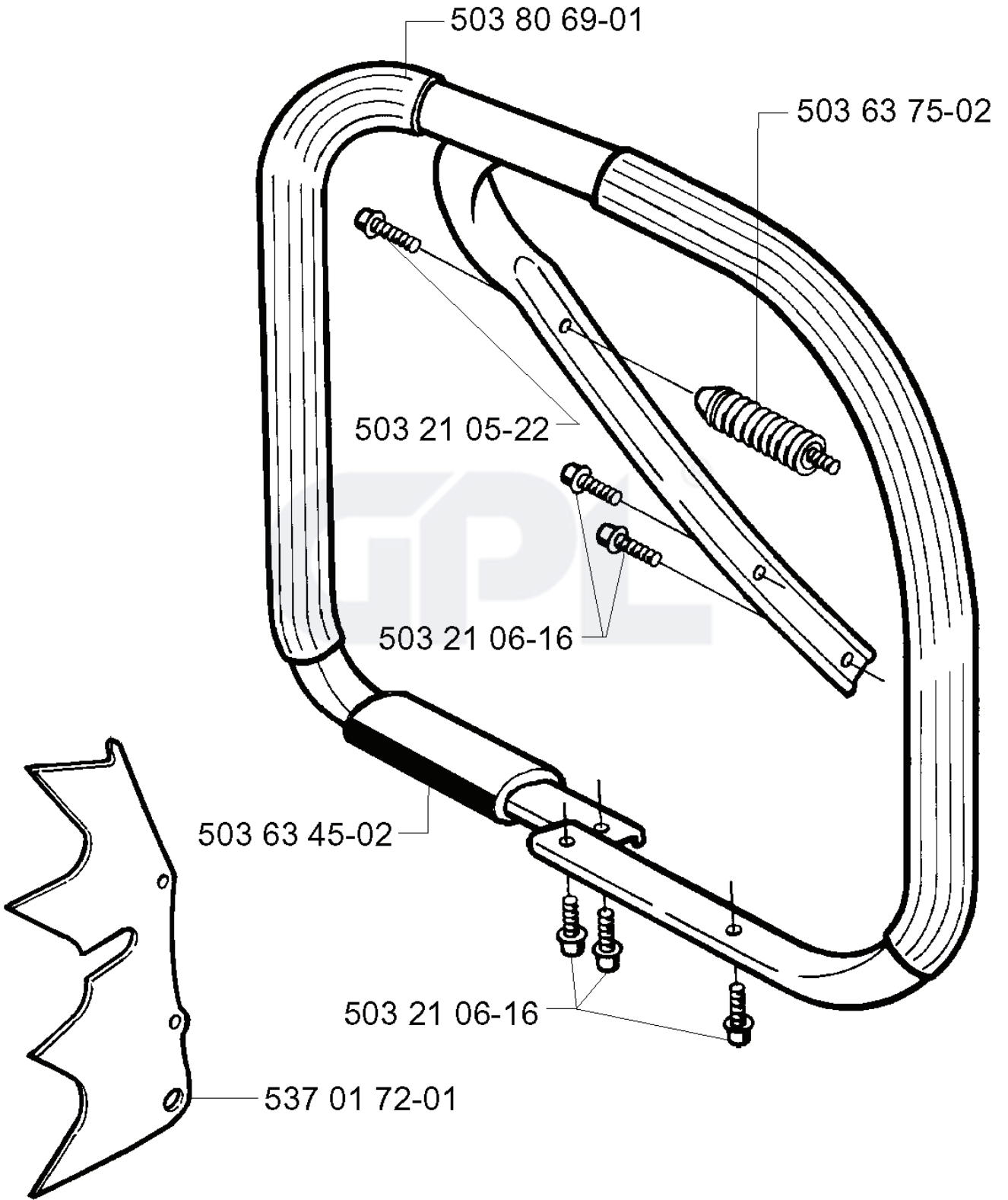
G *compl 503 76 52-01 FG
*compl 503 76 54-02 DF



REF.	PART NO.	DESCRIPTION	REMARK	QTY.	KIT
503 76 52-01	503765201	MUFFLER ASSY	FG	1	
503 76 54-02	503765402	MUFFLER ASSY	DF	1	
725 53 70-55	725537055	SCREW IHSCM		1	
503 76 65-03	503766503	BRACKET		1	
503 20 02-16	503200216	SCREW IHSCFM		1	
503 20 06-08	503200608	SCREW IHSCFM		1	
503 76 53-02	503765302	MUFFLER ASSY	JUNGLE	1	
503 76 53-01	503765301	MUFFLER ASSY	STD	1	
503 76 64-02	503766402	SPARK ARRESTER SCREEN		1	
724 12 87-59	724128759	SCREW CRPANM		1	



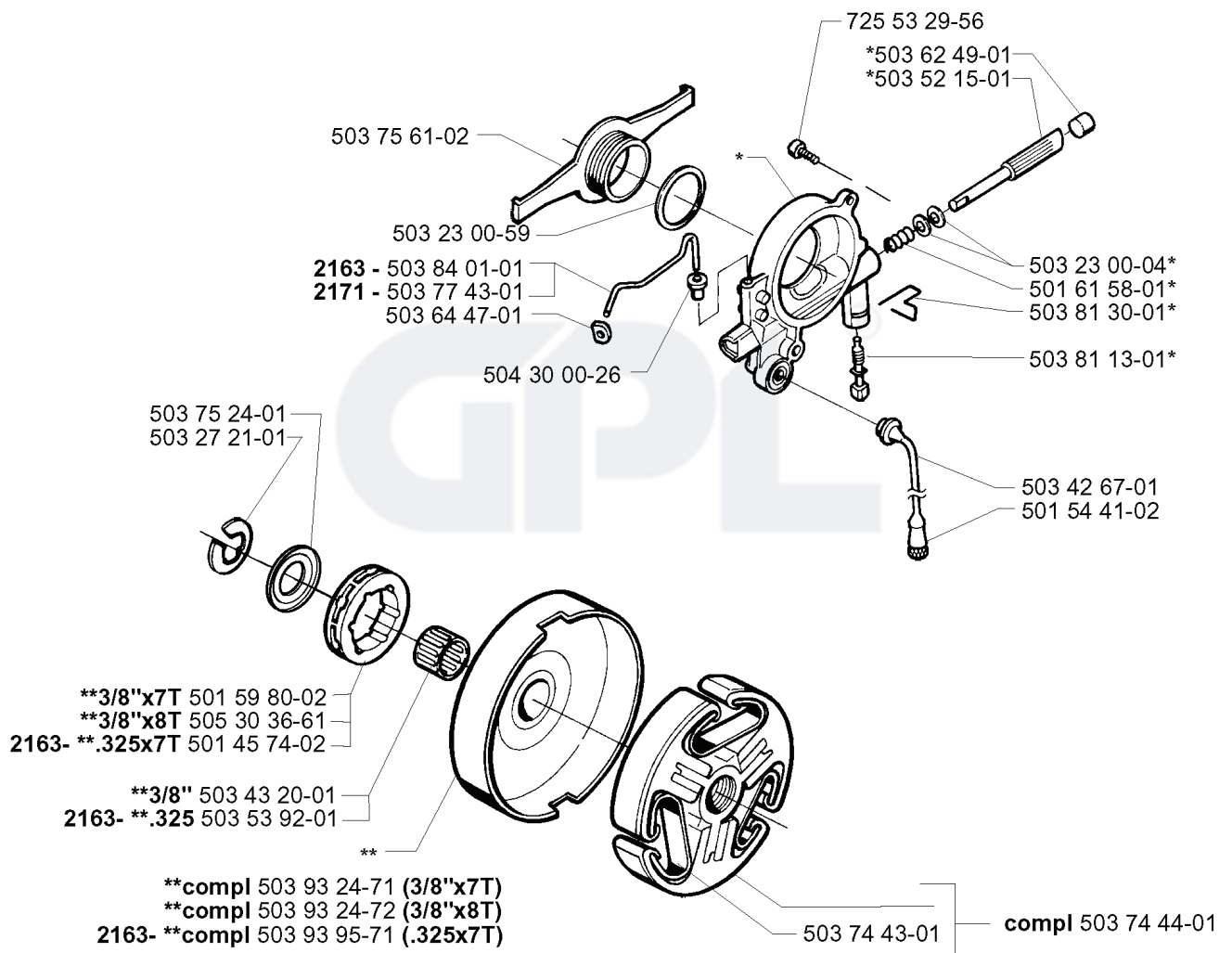
M



REF.	PART NO.	DESCRIPTION	REMARK	QTY.	KIT
503 80 69-01	503806901	HANDLE		1	
503 21 05-22	503210522	SCREW IHSCT		1	
503 21 06-16	503210616	SCREW IHSCT		1	
503 63 45-02	503634502	COVER		1	
537 01 72-01	537017201	SPIKE		1	
503 63 75-02	503637502	ANTIVIBRATION ELEMENT		1	

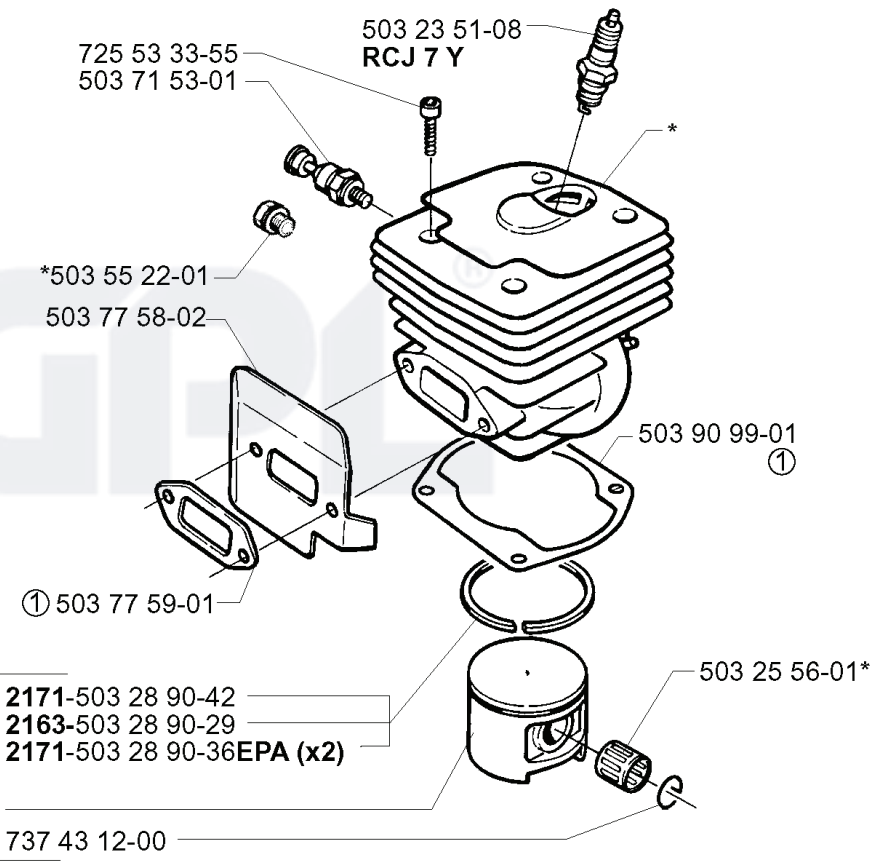


C *compl 503 52 13-01



REF.	PART NO.	DESCRIPTION	REMARK	QTY.	KIT
5035213-01	503521301	OIL PUMP ASSY		1	
5037561-02	503756102	GEAR WHEEL		1	
5032300-59	503230059	WASHER		1	
5038401-01	503840101	OIL PIPE	2163	1	
5037743-01	503774301	OIL PIPE	2171	1	
5036447-01	503644701	BUSHING		1	
5043000-26	504300026	SEALING		1	
5037524-01	503752401	WASHER		1	
5032721-01	503272101	E-CLIP		1	
5015980-02	501598002	RIM	3/8X7T	1	
5053036-61	505303661	RIM	3/8X8T	1	
5014574-02	501457402	RIM	2163.325X7T	1	
5034320-01	503432001	NEEDLE HOLDER	3/8	1	
5035392-01	503539201	NEEDLE BEARING	2163.325	1	
5039324-71	503932471	CLUTCH DRUM	3/8X7T	1	
5039324-72	503932472	CLUTCH DRUM	3/8X8T	1	
5039395-71	503939571	CLUTCH DRUM	2163.325X7T	1	
5037443-01	503744301	CLUTCH SPRING		1	
5037444-01	503744401	CLUTCH ASSY		1	
5015441-02	501544102	OIL SCREEN		1	
5034267-01	503426701	OIL HOSE		1	
5038113-01	503811301	SCREW		1	
5038130-01	503813001	SPRING		1	
5016158-01	501615801	SPRING		1	
5032300-04	503230004	WASHER		1	
5035215-01	503521501	PUMP PISTON		1	
5036249-01	503624901	SEALING PLUG		1	
7255329-56	725532956	SCREW IHSCM		1	

E *compl 503 62 64-73 **2171**
 *compl 503 96 52-71 **2163**
 *compl 503 93 93-72 **2171 EPA**



*compl 503 69 12-71 - **2171**
 *compl 503 69 14-71 - **2163**
 *compl 503 93 92-71 - **2171 EPA**

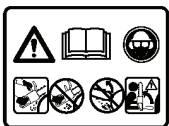
REF.	PART NO.	DESCRIPTION	REMARK	QTY.	KIT
5036264-73	503626473	CYLINDER ASSY	2171	1	
5039652-71	503965271	CYLINDER ASSY	2163	1	
5039393-72	503939372	CYLINDER ASSY	2171 EPA	1	
7255333-55	725533355	SCREW IHSCM		1	
5037153-01	503715301	DECOMPRESSION VALVE		1	
5035522-01	503552201	PLUG		1	
5037758-02	503775802	HEAT DEFLECTOR		1	
5037759-01	503775901	GASKET		1	
5036912-71	503691271	PISTON ASSY	2171	1	
5036914-71	503691471	PISTON ASSY	2163	1	
5039392-71	503939271	PISTON ASSY	2171 EPA	1	
7374312-00	737431200	SNAP RING		1	
5032890-36	503289036	PISTON RING	2171 EPA	2	
5032890-29	503289029	PISTON RING	2163	1	
5032890-42	503289042	PISTON RING	2171	1	
5032556-01	503255601	NEEDLE BEARING		1	
5039099-01	503909901	GASKET		1	
5032351-08	503235108	SPARK PLUG	RCJ 7 Y	1	



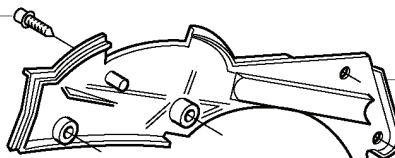
A

*compl 503 71 93-04

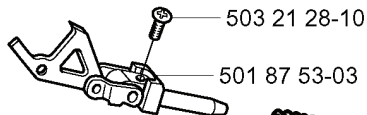
503 20 02-12 (x4)



503 98 74-01*



503 75 11-03

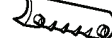


503 21 28-10

501 87 53-03



503 70 99-01

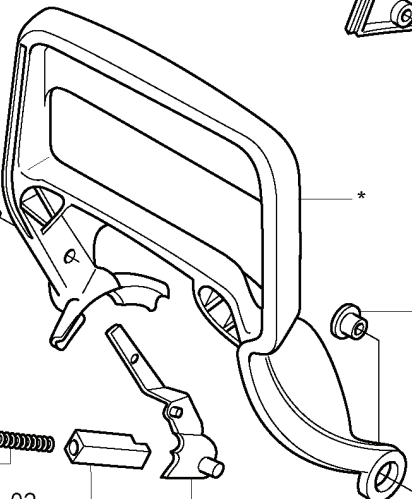


503 79 27-01



503 75 22-01

503 20 25-12



503 77 52-01

503 43 65-01



503 83 81-02

537 00 87-02

**537 07 20-71

503 70 12-03

503 21 28-10

503 89 70-01

503 76 29-02

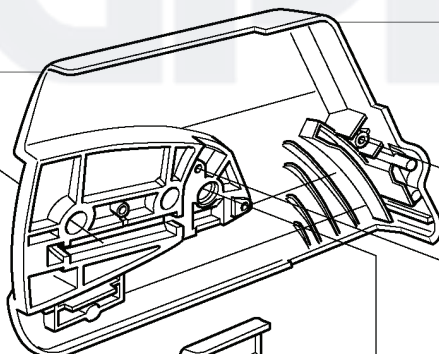


**compl 537 07 20-01 2171

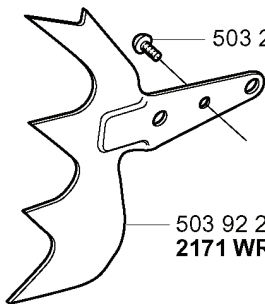
503 22 00-01 (x2)



**



503 21 28-10



503 92 27-01
2171 WRAP

**501 51 72-01



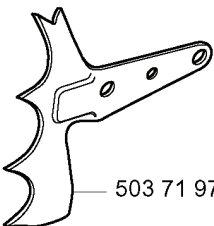
740 48 07-02

503 23 00-63

537 07 94-01

503 21 28-10** (x2)

**537 04 41-02



503 71 97-01 2171

537 01 74-01

503 99 83-01

537 07 95-01

503 23 00-66

537 01 68-01

REF.	PART NO.	DESCRIPTION	REMARK	QTY.	KIT
503 71 93-04	503719304	HAND GUARD		1	
503 20 02-12	503200212	SCREW IHSCFM		4	
503 98 74-01	503987401	LABEL		1	
503 20 25-12	503202512	SCREW IHSCM		1	
503 43 65-01	503436501	POSITION SPRING		1	
503 83 81-02	503838102	LOCK		1	
537 00 87-02	537008702	BRAKE LEVER		1	
537 07 20-01	537072001	CLUTCH COVER ASSY	2171	1	
503 22 00-01	503220001	HEXAGON NUT		2	
503 92 27-01	503922701	SPIKE	2171 WRAP	1	
537 04 41-02	537044102	CHAIN TENSIONER		1	
503 71 97-01	503719701	SPIKE	2171	1	
537 01 68-01	537016801	COVER		1	
503 23 00-66	503230066	WASHER		1	
537 07 95-01	537079501	WORM SCREW		1	
503 99 83-01	503998301	PAWL		1	
537 01 74-01	537017401	BEARING SLEEVE		1	
537 07 94-01	537079401	WORM WHEEL		1	
503 23 00-63	503230063	WASHER		1	
740 48 07-02	740480702	O-RING		1	
501 51 72-01	501517201	CHAIN GUIDE		1	
537 07 20-71	537072071	CLUTCH COVER ASSY		1	
503 77 52-01	503775201	BUSHING		1	
503 70 12-03	503701203	LABEL		1	
503 89 70-01	503897001	SLEEVE		1	
503 76 29-02	503762902	CHIP GUARD		1	
503 21 28-10	503212810	SCREW CCRPANT		2	
503 75 22-01	503752201	BRAKE BAND ASSY		1	
503 79 27-01	503792701	SUPPORT		1	
503 70 99-01	503709901	BRAKE SPRING		1	
501 87 53-03	501875303	KNEE JOINT		1	
503 75 11-03	503751103	HUB CAP		1	

H

80 μ 503 81 45-01
44 μ 503 81 45-02
Felt 503 81 45-03

503 73 54-01

503 62 75-01
725 53 05-55

503 28 18-04
503 28 18-05 EPA

503 40 06-06

compl 503 71 27-01

503 22 65-03

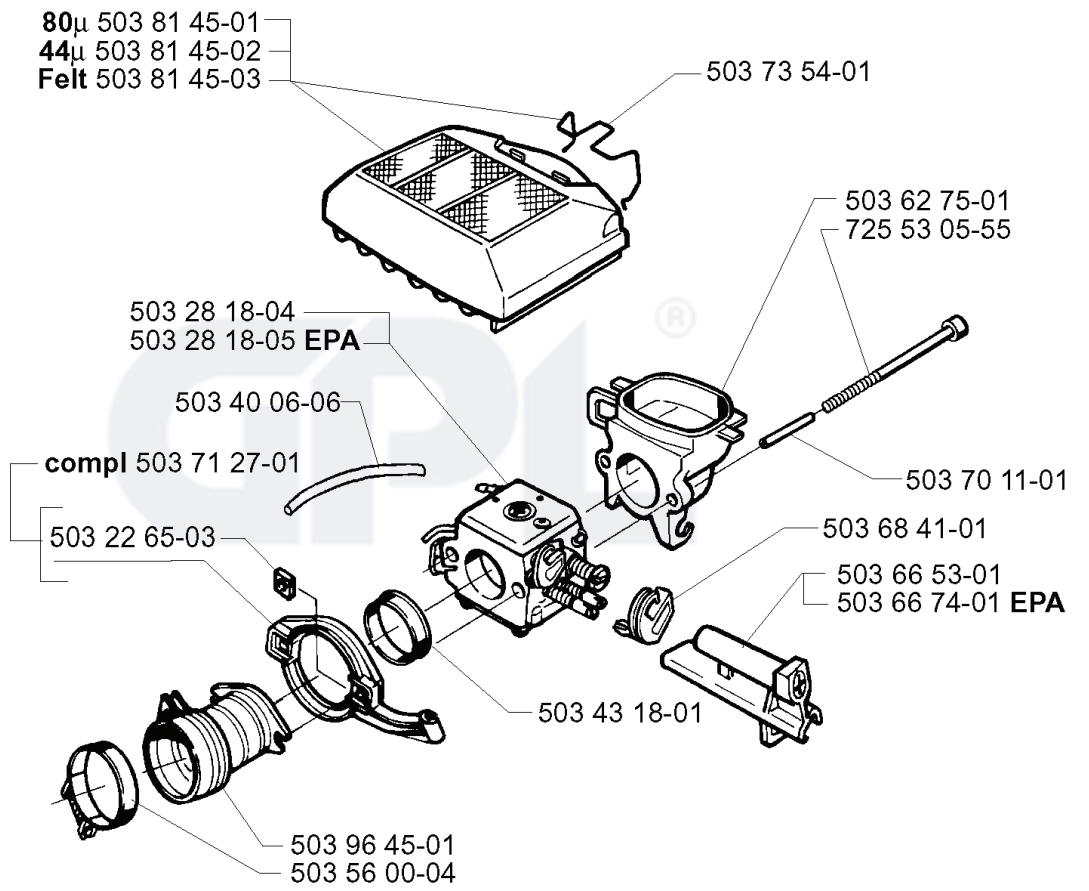
503 70 11-01

503 68 41-01

503 66 53-01
503 66 74-01 EPA

503 43 18-01

503 96 45-01
503 56 00-04



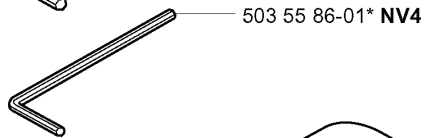
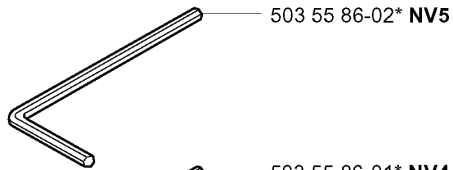
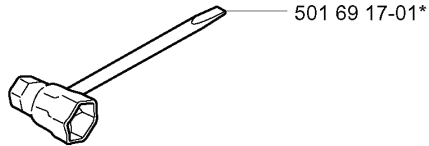
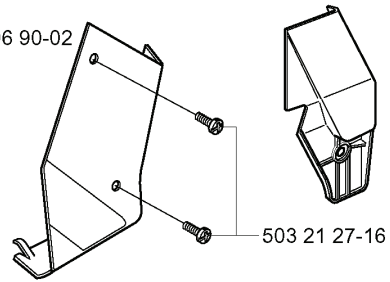
REF.	PART NO.	DESCRIPTION	REMARK	QTY.	KIT
503 81 45-01	503814501	AIR FILTER ASSY	80	1	
503 81 45-02	503814502	AIR FILTER ASSY	44	1	
503 81 45-03	503814503	AIR FILTER ASSY	FELT	1	
503 28 18-04	503281804	CARBURETTOR		1	
503 28 18-05	503281805	CARBURETTOR	EPA	1	
503 40 06-06	503400606	IMPULSE HOSE		1	
503 71 27-01	503712701	FLANGE		1	
503 22 65-03	503226503	SQUARE NUT		1	
503 96 45-01	503964501	INLET PIPE		1	
503 56 00-04	503560004	HOSE CLAMP		1	
503 43 18-01	503431801	SUPPORT SLEEVE		1	
503 66 74-01	503667401	GUIDE BUSHING	EPA	1	
503 66 53-01	503665301	GUIDE BUSHING		1	
503 68 41-01	503684101	LEVER		1	
503 70 11-01	503701101	TUBE		1	
725 53 05-55	725530555	SCREW IHSCM		1	
503 62 75-01	503627501	FILTER HOLDER		1	
503 73 54-01	503735401	CLAMP		1	



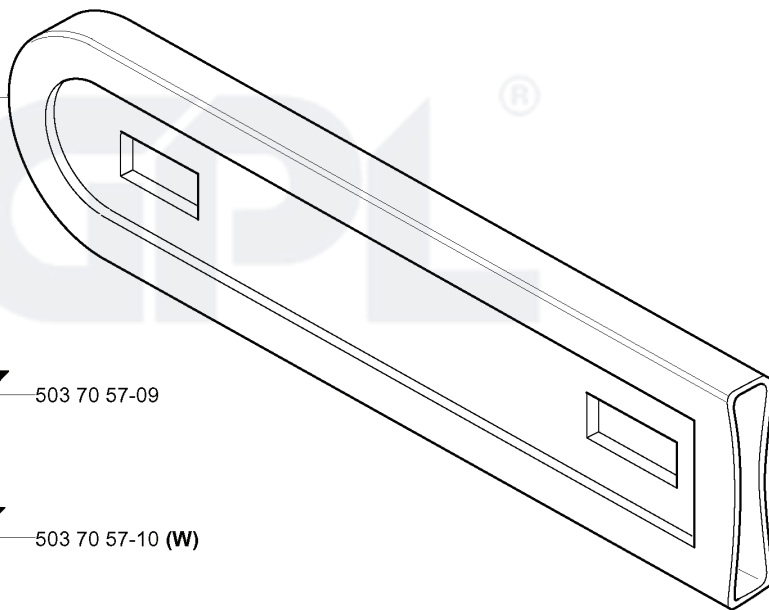
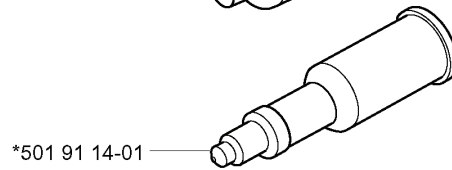
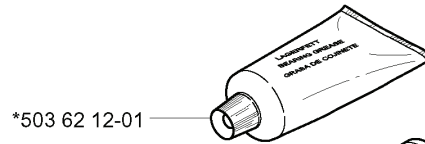
R Accessories
 Zubehöre
 Accessories
 Accesorios
 Tillbehör

*compl 503 55 85-01

WINTER
 compl 503 96 90-02



501 83 44-02 13"-16"
 501 83 44-05 18"-22"
 501 83 45-02 24"-28"

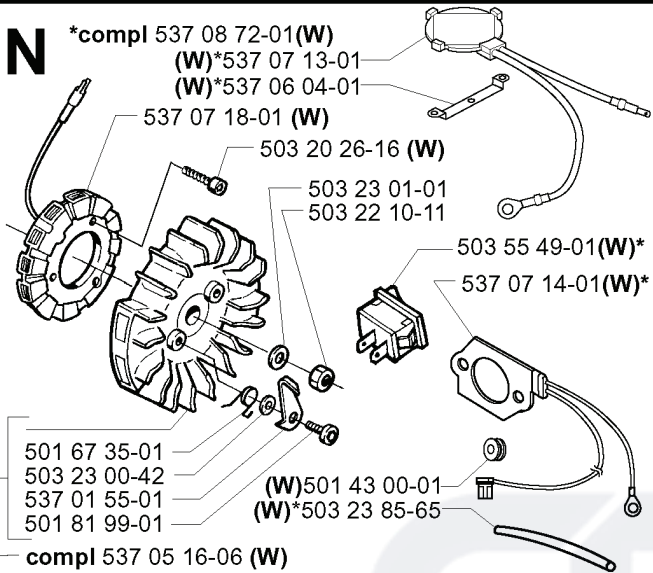


REF.	PART NO.	DESCRIPTION	REMARK	QTY.	KIT
5035585-01	503558501	TOOL		1	
5016917-01	501691701	COMBINATION WRENCH		1	
5035586-02	503558602	SPANNER	NV5	1	
5035586-01	503558601	SPANNER	NV4	1	
5018344-02	501834402	BAR COVER	13	1	
5018344-05	501834405	BAR COVER	18	1	
5018345-02	501834502	BAR COVER	24	1	
5037057-09	503705709	LABEL		1	
5037057-10	503705710	LABEL	W	1	
5037057-06	503705706	LABEL		1	
5037057-07	503705707	LABEL	W	1	
5037012-03	503701203	LABEL		1	
5019114-01	501911401	GREASE GUN		1	
5036212-01	503621201	GREASE		1	
5032127-16	503212716	SCREW CRPANT		1	
5039690-02	503969002	KIT	WINTER	1	



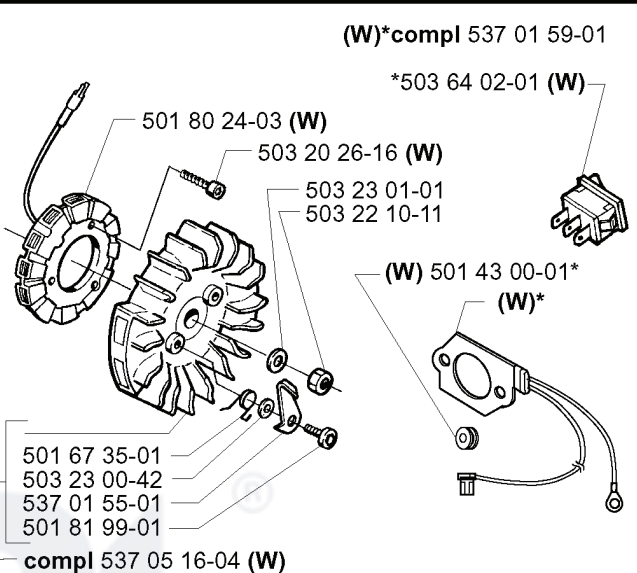
N

*compl 537 08 72-01(W)
(W)*537 07 13-01
(W)*537 06 04-01

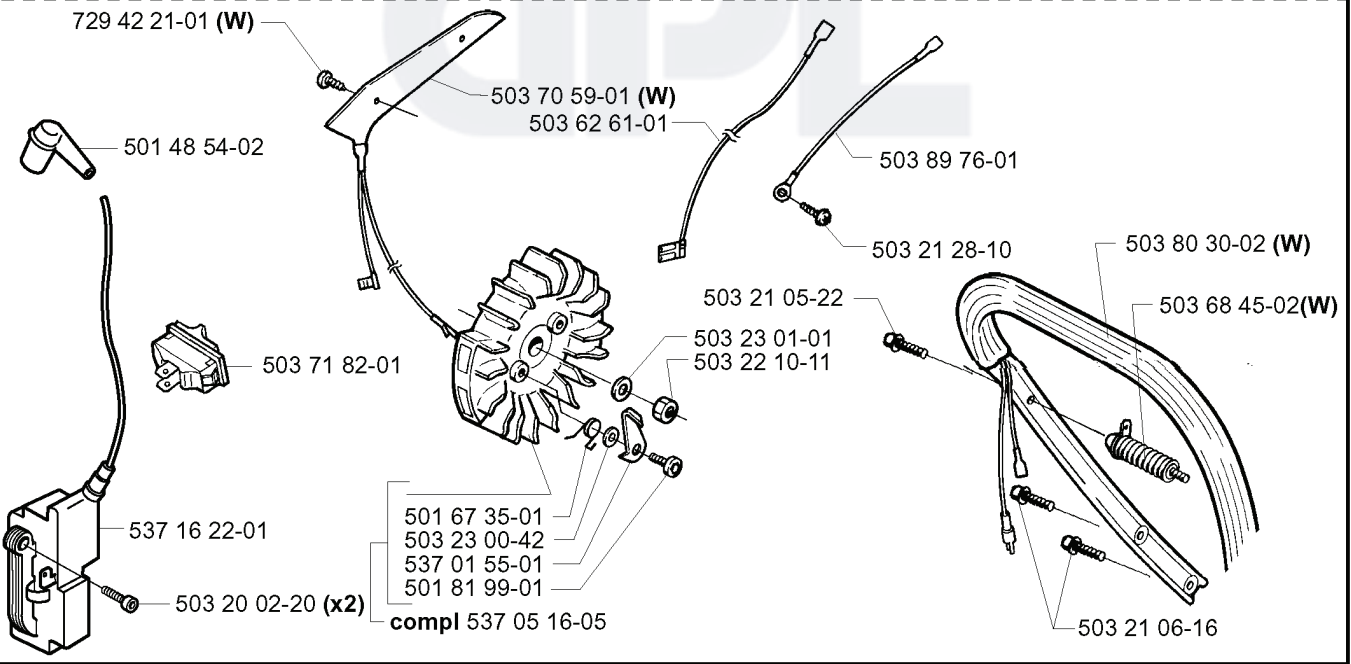


(W)*compl 537 01 59-01

*503 64 02-01 (W)



729 42 21-01 (W)



REF.	PART NO.	DESCRIPTION	REMARK	QTY.	KIT
5370872-01	537087201	KIT	W	1	
5014854-02	501485402	SPARK PLUG CAP		1	
5370713-01	537071301	THERMOSTAT ASSY	W	1	
5370604-01	537060401	RETAINER	W	1	
5018024-03	501802403	STATOR ASSY		1	
5370718-01	537071801	STATOR ASSY	W	1	
5016735-01	501673501	SPRING		1	
5032002-20	503200220	SCREW IHSCFM		1	
5032300-42	503230042	WASHER		1	
5032105-22	503210522	SCREW IHSCCT		1	
5370155-01	537015501	STARTER PAWL		1	
5018199-01	501819901	SCREW		1	
5032106-16	503210616	SCREW IHSCCT		1	
5032128-10	503212810	SCREW CCRPANT		1	
5370516-06	537051606	FLYWHEEL ASSY	W	1	
5032385-65	503238565	SHRINKAGE HOSE	W	1	
5014300-01	501430001	CABLE GROMMET	W	1	
5370714-01	537071401	FOIL ELEMENT	W	1	
5032302-01	503230201	WASHER		1	
5035549-01	503554901	SWITCH	W	1	
5032210-11	503221011	HEXAGON NUT		1	
5032301-01	503230101	WASHER		1	
5032026-16	503202616	SCREW IHSCM	W	1	
5036261-01	503626101	CABLE		1	
5036402-01	503640201	SWITCH		1	
5036845-02	503684502	ANTIVIBRATION ELEMENT		1	
5037059-01	503705901	HEATING PLATE		1	
5037182-01	503718201	SWITCH		1	
5038030-02	503803002	HANDLE		1	
5038976-01	503897601	CABLE		1	
5370159-01	537015901	KIT		1	
5370516-04	537051604	FLYWHEEL ASSY		1	
5370516-05	537051605	FLYWHEEL ASSY		1	
5371622-01	537162201	IGNITION SYSTEM		1	
7294221-01	729422101	SCREW SLCSRT		1	