

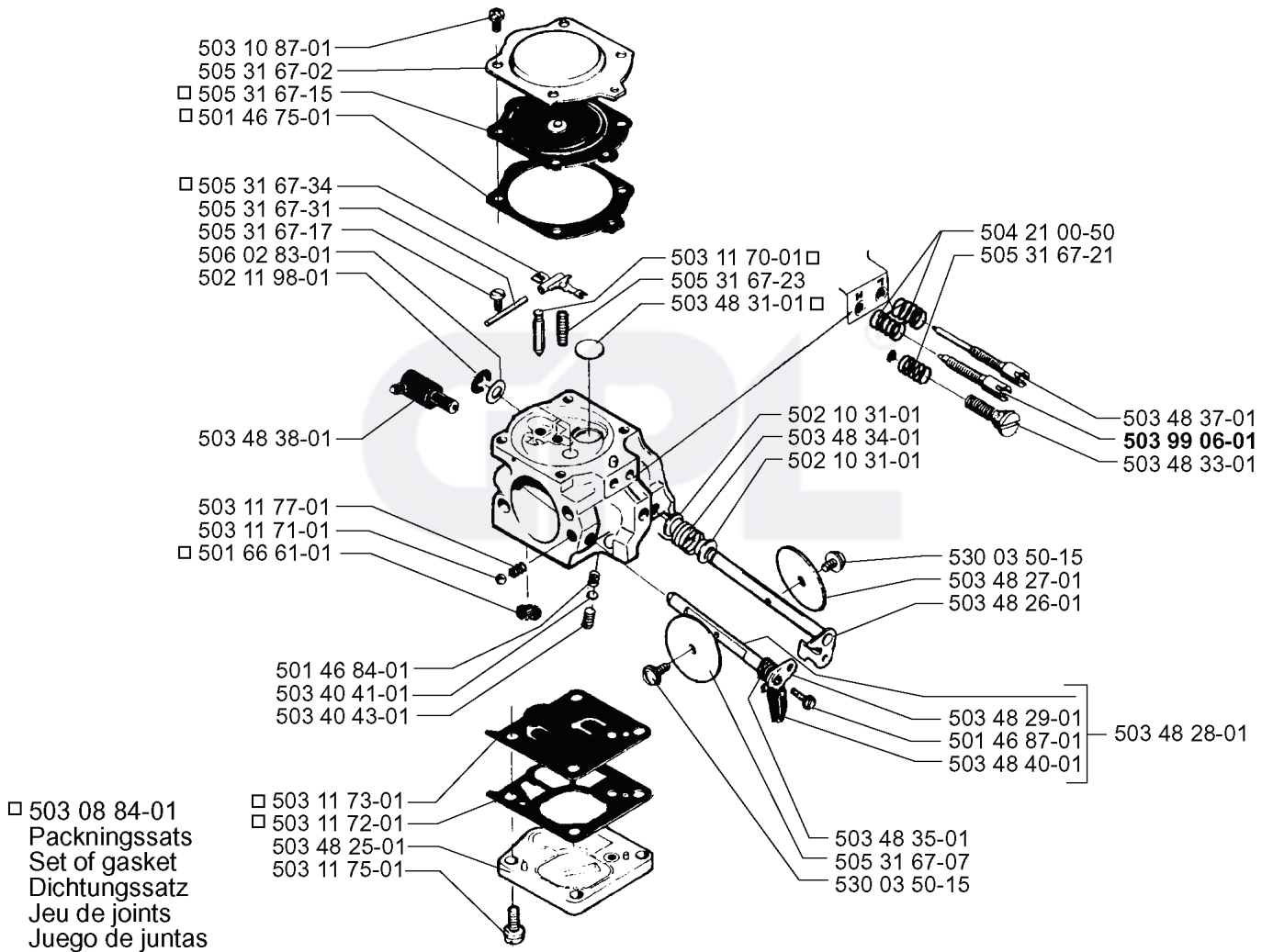
2083 II, EPA, 1998-09

GPL[®]

SPARE PARTS LIST

G

compl 503 28 12-20

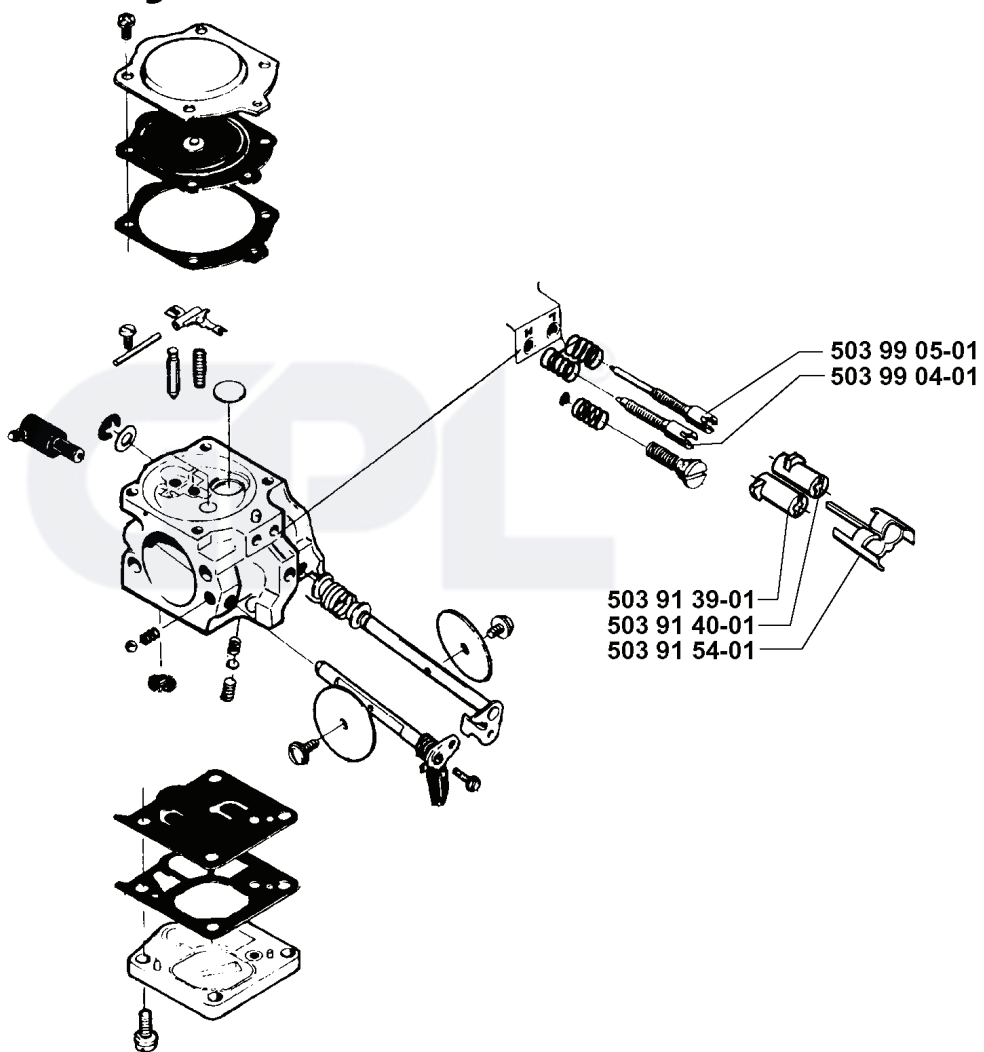
Walbro WJ 28 C

REF.	PART NO.	DESCRIPTION	REMARK	QTY.	KIT
503 28 12-20	503281220	CARBURETTOR		1	
503 10 87-01	503108701	SCREW		1	
505 31 67-02	505316702	COVER		1	
505 31 67-15	505316715	DIAPHRAGM ASSY	503 08 84-01 SET OF GASKET	1	
501 46 75-01	501467501	GASKET	503 08 84-01 SET OF GASKET	1	
503 08 84-01	503088401	GASKET KIT		1	
505 31 67-34	505316734	LEVER	503 08 84-01 SET OF GASKET	1	
505 31 67-31	505316731	PIN		1	
505 31 67-17	505316717	SCREW		1	
506 02 83-01	506028301	WASHER		1	
502 11 98-01	502119801	CIRCLIP		1	
503 48 38-01	503483801	FITTING		1	
503 11 77-01	503117701	SPRING		1	
503 11 71-01	503117101	BALL		1	
501 66 61-01	501666101	SCREEN	503 08 84-01 SET OF GASKET	1	
501 46 84-01	501468401	SPRING		1	
503 40 41-01	503404101	WASHER		1	
503 40 43-01	503404301	SCREW		1	
503 11 73-01	503117301	DIAPHRAGM PUMP	503 08 84-01 SET OF GASKET	1	
503 11 72-01	503117201	GASKET	503 08 84-01 SET OF GASKET	1	
503 48 25-01	503482501	COVER		1	
503 11 75-01	503117501	SCREW		1	
505 31 67-07	505316707	VALVE-CHOKE		1	
503 48 35-01	503483501	SPRING		1	
503 48 40-01	503484001	LEVER		1	
501 46 87-01	501468701	SCREW		1	
503 48 29-01	503482901	LEVER		1	
503 48 26-01	503482601	SHAFT		1	
503 48 27-01	503482701	VALVE		1	
530 03 50-15	530035015	SCREW		1	
503 48 34-01	503483401	SPRING		1	
502 10 31-01	502103101	BUSHING		1	
503 48 31-01	503483101	PLUG	503 08 84-01 SET OF GASKET	1	
505 31 67-23	505316723	SPRING		1	
503 11 70-01	503117001	NEEDLE VALVE	503 08 84-01 SET OF GASKET	1	
503 48 28-01	503482801	SHAFT ASSY		1	
503 48 33-01	503483301	SCREW		1	
503 99 06-01	503990601	NEEDLE		1	
503 48 37-01	503483701	NEEDLE IDLE SPEED		1	
505 31 67-21	505316721	SPRING		1	
504 21 00-50	504210050	SPRING		1	

L EPA, USA only

compl 503 28 12-14

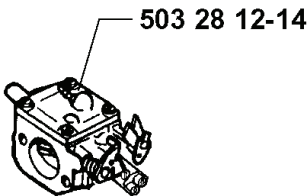
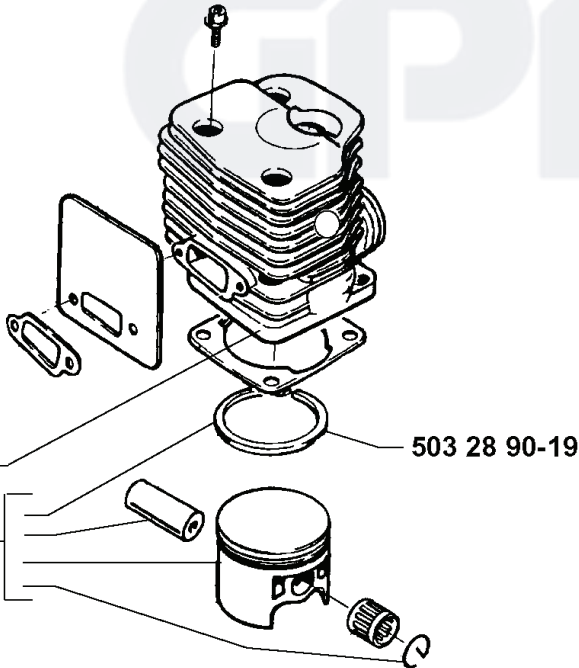
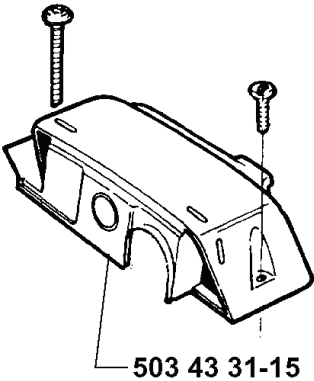
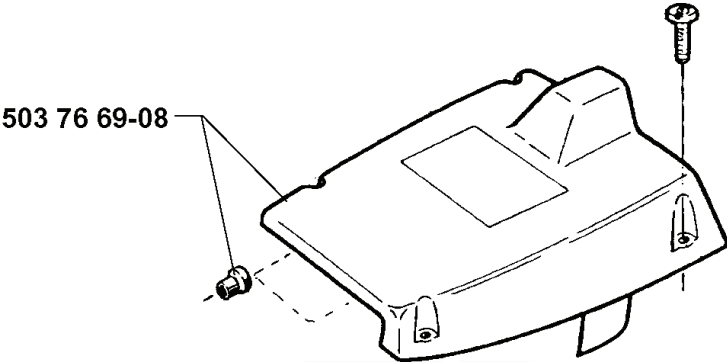
Walbro WJ 77



REF.	PART NO.	DESCRIPTION	REMARK	QTY.	KIT
503 28 12-14	503281214	CARBURETTOR		1	
503 91 54-01	503915401	RETAINER		1	
503 91 40-01	503914001	LIMITER CAP		1	
503 91 39-01	503913901	LIMITER CAP		1	
503 99 04-01	503990401	NEEDLE		1	
503 99 05-01	503990501	NEEDLE		1	



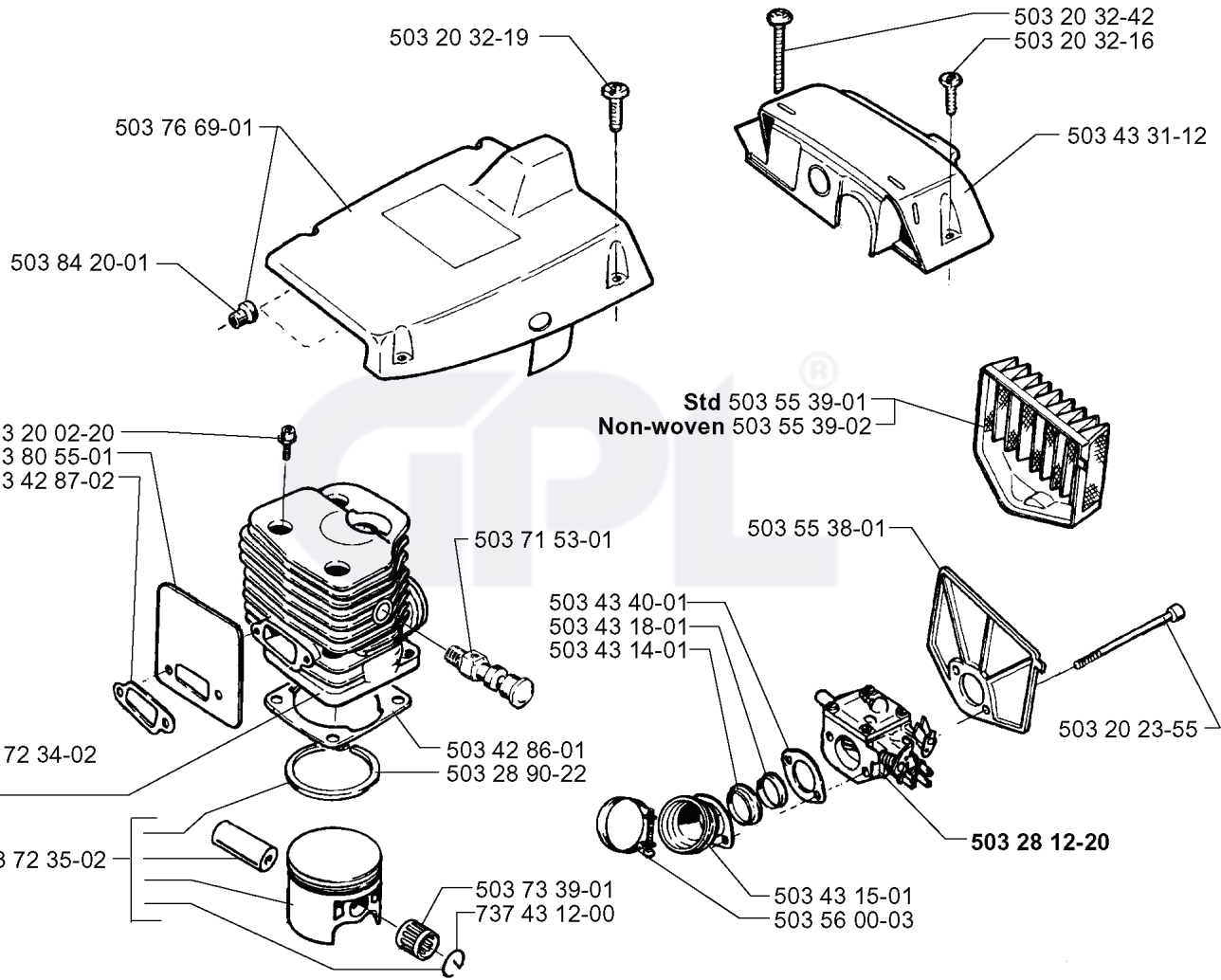
K EPA, USA only



REF.	PART NO.	DESCRIPTION	REMARK	QTY.	KIT
503 76 69-08	503766908	CYLINDER COVER ASSY		1	
503 99 92-71	503999271	CYLINDER ASSY		1	
503 42 08-02	503420802	PISTON ASSY		1	
503 28 90-19	503289019	PISTON RING		1	
503 28 12-14	503281214	CARBURETTOR		1	
503 43 31-15	503433115	FILTER COVER		1	



B



REF.	PART NO.	DESCRIPTION	REMARK	QTY.	KIT
503 20 32-19	503203219	SCREW CCRPANMO		1	
503 76 69-01	503766901	CYLINDER COVER ASSY		1	
503 84 20-01	503842001	SLEEVE		1	
503 20 02-20	503200220	SCREW IHSCFM		1	
503 80 55-01	503805501	PLATE		1	
503 42 87-02	503428702	GASKET		1	
503 72 34-02	503723402	CYLINDER ASSY		1	
503 72 35-02	503723502	PISTON ASSY		1	
737 43 12-00	737431200	SNAP RING		1	
503 73 39-01	503733901	BEARING		1	
503 28 90-22	503289022	PISTON RING		1	
503 42 86-01	503428601	GASKET		1	
503 71 53-01	503715301	DECOMPRESSION VALVE		1	
503 43 40-01	503434001	WASHER		1	
503 43 18-01	503431801	SUPPORT SLEEVE		1	
503 43 14-01	503431401	SUPPORT SLEEVE		1	
503 43 15-01	503431501	BELLOWS		1	
503 56 00-03	503560003	CLIP		1	
503 28 12-20	503281220	CARBURETTOR		1	
503 20 23-55	503202355	SCREW IHSCM		1	
503 55 38-01	503553801	FILTER HOLDER		1	
503 55 39-02	503553902	AIR FILTER	NON-WOVEN	1	
503 55 39-01	503553901	AIR FILTER	STD	1	
503 43 31-12	503433112	FILTER COVER		1	
503 20 32-16	503203216	SCREW CCRPANMO		1	
503 20 32-42	503203242	SCREW CCRPANMO		1	

J EPA, USA only

503 74 19-02



503 74 18-02

503 90 80-20



This saw is capable of severe kickback. Do not operate it unless you have extraordinary cutting needs and experience and specialized training for dealing with kickback. Chain saws with significantly reduced kickback potential are available. Follow all safety precautions in the Operator's Manual (s). Failure to follow instructions could result in serious personal injury.

IMPORTANT ENGINE INFORMATION

Jonsered 2083 II 76cc WHVXS.0765RA
JONSERED HUSKVARNA SWEDEN EM

THIS ENGINE CONFORMS TO U.S. EPA PH 1 EMISSION REGULATION FOR SMALL NONROAD ENGINES.

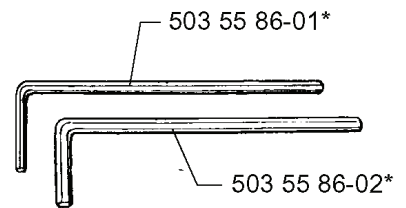
REFER TO OPERATOR'S MANUAL FOR MAINTENANCE SPECIFICATIONS AND ADJUSTMENTS.

REF.	PART NO.	DESCRIPTION	REMARK	QTY.	KIT
503 74 19-02	503741902	LABEL	2083 II TUR80	1	
503 74 18-02	503741802	LABEL	2083 II TUR80	1	
503 90 80-20	503908020	LABEL		1	

GPL®

H

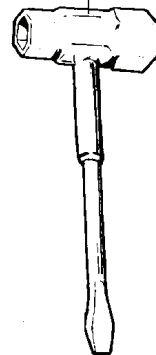
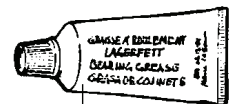
*compl 503 55 85-01



503 74 18-01



503 74 19-01

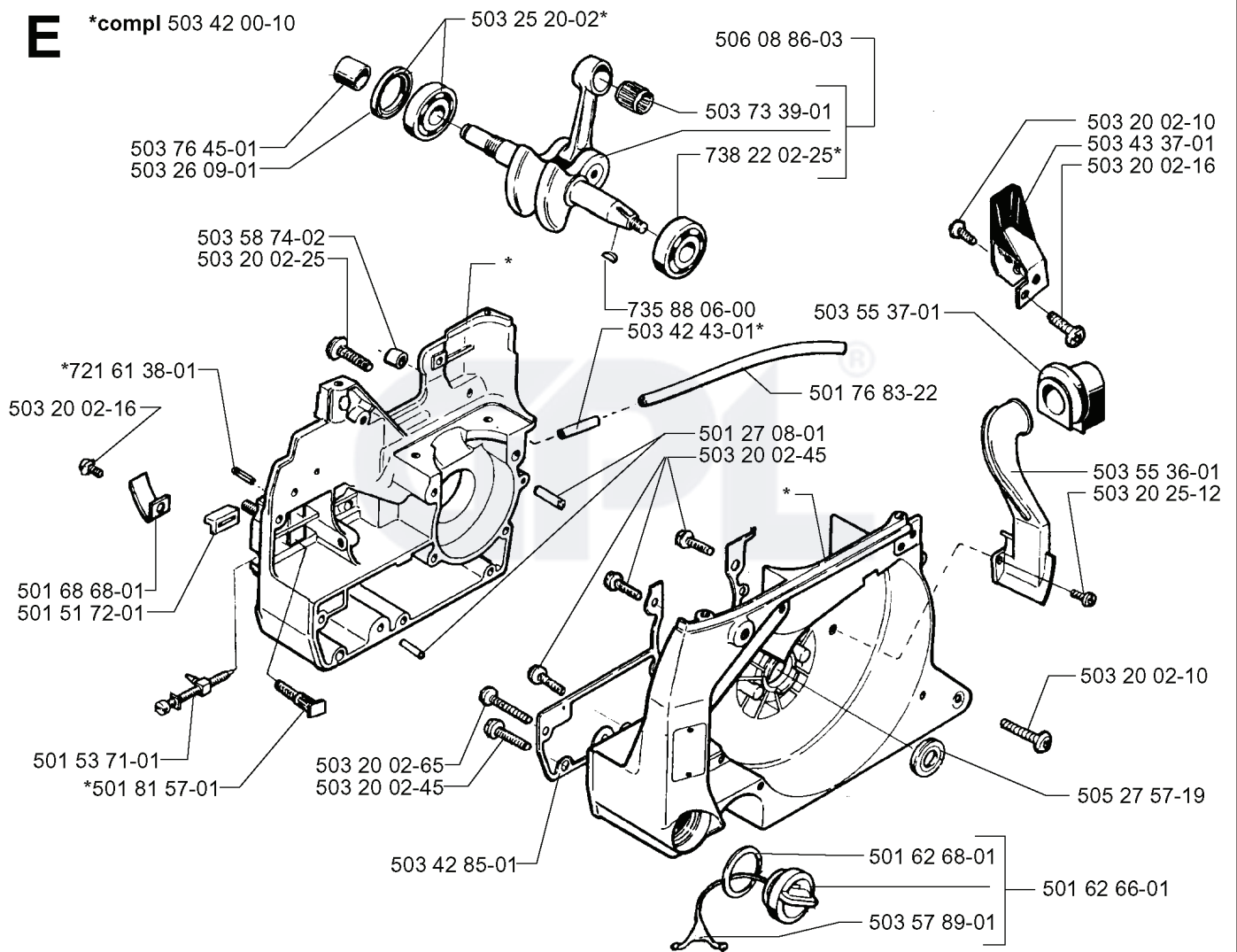


REF.	PART NO.	DESCRIPTION	REMARK	QTY.	KIT
503 74 18-01	503741801	LABEL	2083 TUR80	1	
503 74 19-01	503741901	LABEL	2083 TUR80	1	
501 69 17-01	501691701	COMBINATION WRENCH		1	
501 91 14-01	501911401	GREASE GUN		1	
503 62 12-01	503621201	GREASE		1	
503 55 86-02	503558602	SPANNER		1	
503 55 86-01	503558601	SPANNER		1	
503 55 85-01	503558501	TOOL		1	



E

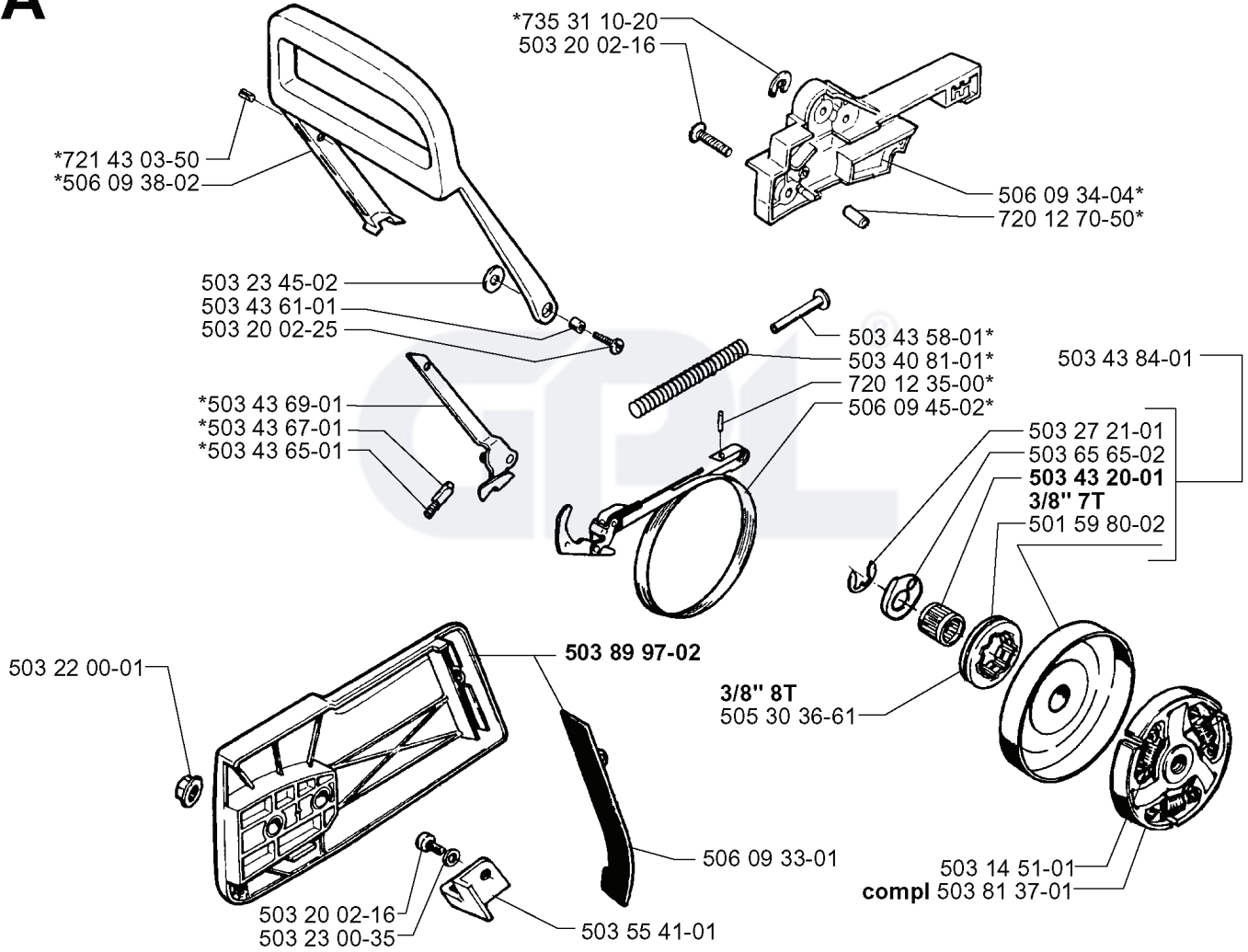
*compl 503 42 00-10



REF.	PART NO.	DESCRIPTION	REMARK	QTY.	KIT
503 42 00-10	503420010	CRANKCASE		1	
503 76 45-01	503764501	SLEEVE		1	
503 26 09-01	503260901	SEALING		1	
503 58 74-02	503587402	ANTIVIBRATION ELEMENT		1	
503 20 02-25	503200225	SCREW IHSCFM		1	
721 61 38-01	721613801	SPLIT PIN		1	
501 68 68-01	501686801	CHAIN CATCHER		1	
501 51 72-01	501517201	CHAIN GUIDE		1	
501 53 71-01	501537101	CHAIN TENSIONER KIT		1	
501 81 57-01	501815701	BAR BOLT		1	
503 42 85-01	503428501	CRANKCASE		1	
503 20 02-65	503200265	SCREW IHSCFM		1	
503 57 89-01	503578901	HOLDER		1	
501 62 68-01	501626801	GASKET		1	
503 20 02-45	503200245	SCREW IHSCFM		1	
501 27 08-01	501270801	GUIDE BUSHING		1	
503 42 43-01	503424301	IMPULSE NIPPLE		1	
735 88 06-00	735880600	WOODRUFF KEY		1	
503 25 20-02	503252002	BALL BEARING		1	
506 08 86-03	506088603	CRANKSHAFT ASSY		1	
503 73 39-01	503733901	BEARING		1	
738 22 02-25	738220225	BALL BEARING		1	
503 55 37-01	503553701	BELLOWS		1	
501 76 83-22	501768322	FUEL HOSE		1	
501 62 66-01	501626601	TANK		1	
505 27 57-19	505275719	SEALING RING		1	
503 20 25-12	503202512	SCREW IHSCM		1	
503 55 36-01	503553601	AIR NOZZLE		1	
503 20 02-16	503200216	SCREW IHSCFM		1	
503 43 37-01	503433701	ANTIVIBRATION ELEMENT		1	
503 20 02-10	503200210	SCREW IHSCFM		1	

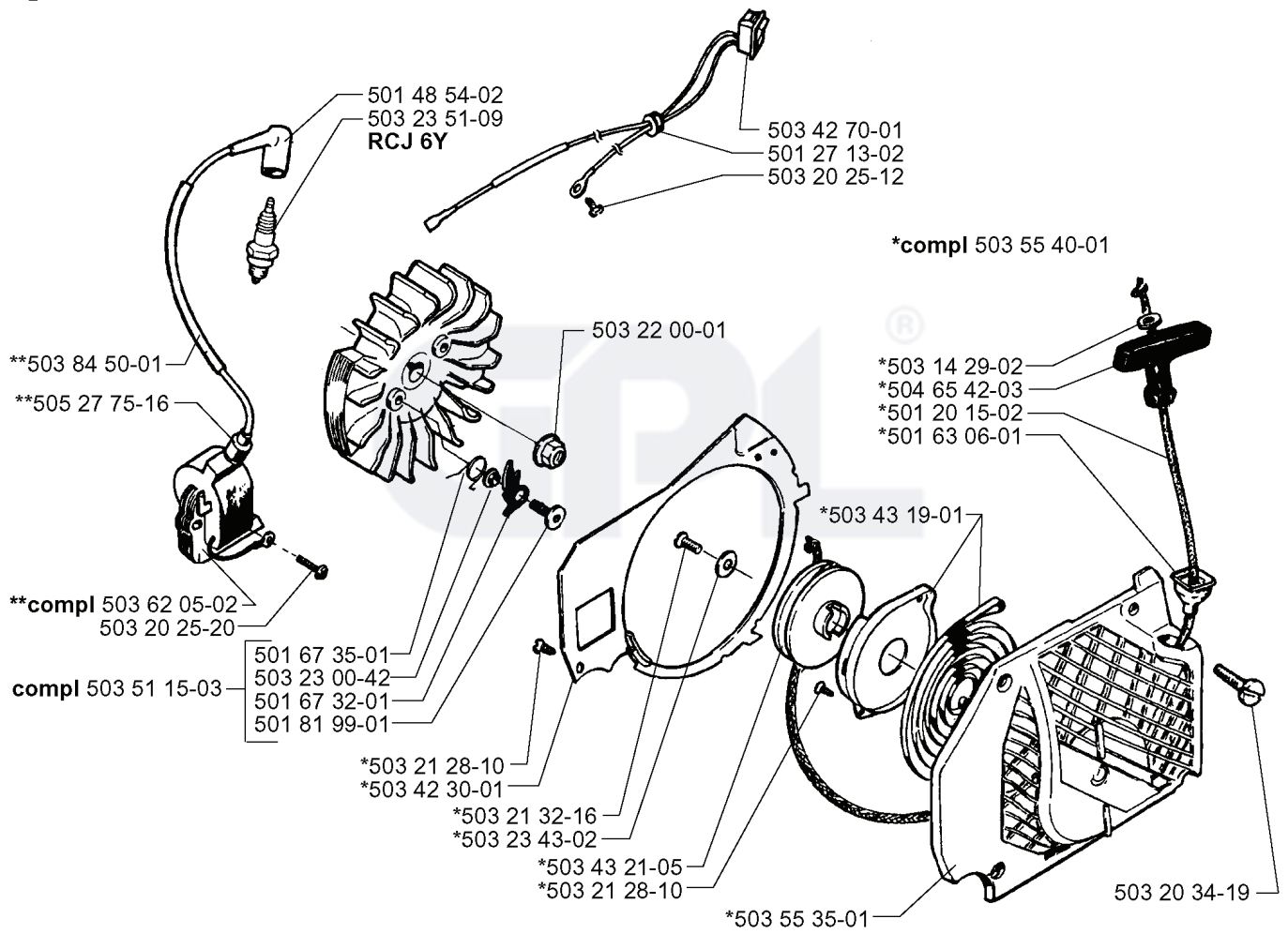
A

*compl 506 09 44-06



REF.	PART NO.	DESCRIPTION	REMARK	QTY.	KIT
506 09 44-06	506094406	CHAIN BRAKE ASSY		1	
721 43 03-50	721430350	SPRING PIN		1	
506 09 38-02	506093802	HAND GUARD		1	
503 23 45-02	503234502	WASHER		1	
503 43 61-01	503436101	SLEEVE		1	
503 20 02-25	503200225	SCREW IHSCFM		1	
503 43 69-01	503436901	BRAKE LEVER ASSY		1	
503 43 67-01	503436701	LOCK		1	
503 43 65-01	503436501	POSITION SPRING		1	
503 22 00-01	503220001	HEXAGON NUT		1	
503 23 00-35	503230035	WASHER		1	
503 55 41-01	503554101	BRACKET		1	
506 09 33-01	506093301	CHIP GUARD		1	
505 30 36-61	505303661	RIM	3/8 8T	1	
503 89 97-02	503899702	CLUTCH COVER		1	
503 14 51-01	503145101	CLUTCH SPRING		1	
503 81 37-01	503813701	CLUTCH ASSY		1	
501 59 80-02	501598002	RIM		1	
503 43 20-01	503432001	NEEDLE HOLDER	3/8 7T	1	
503 65 65-02	503656502	WASHER		1	
503 27 21-01	503272101	E-CLIP		1	
503 43 84-01	503438401	CLUTCH DRUM		1	
506 09 45-02	506094502	BRAKE BAND ASSY		1	
720 12 35-00	720123500	PARALLEL PIN		1	
503 40 81-01	503408101	BRAKE SPRING		1	
503 43 58-01	503435801	BUSHING		1	
720 12 70-50	720127050	PARALLEL PIN		1	
506 09 34-04	506093404	BRAKE CASSETTE		1	
503 20 02-16	503200216	SCREW IHSCFM		1	
735 31 10-20	735311020	E-CLIP		1	

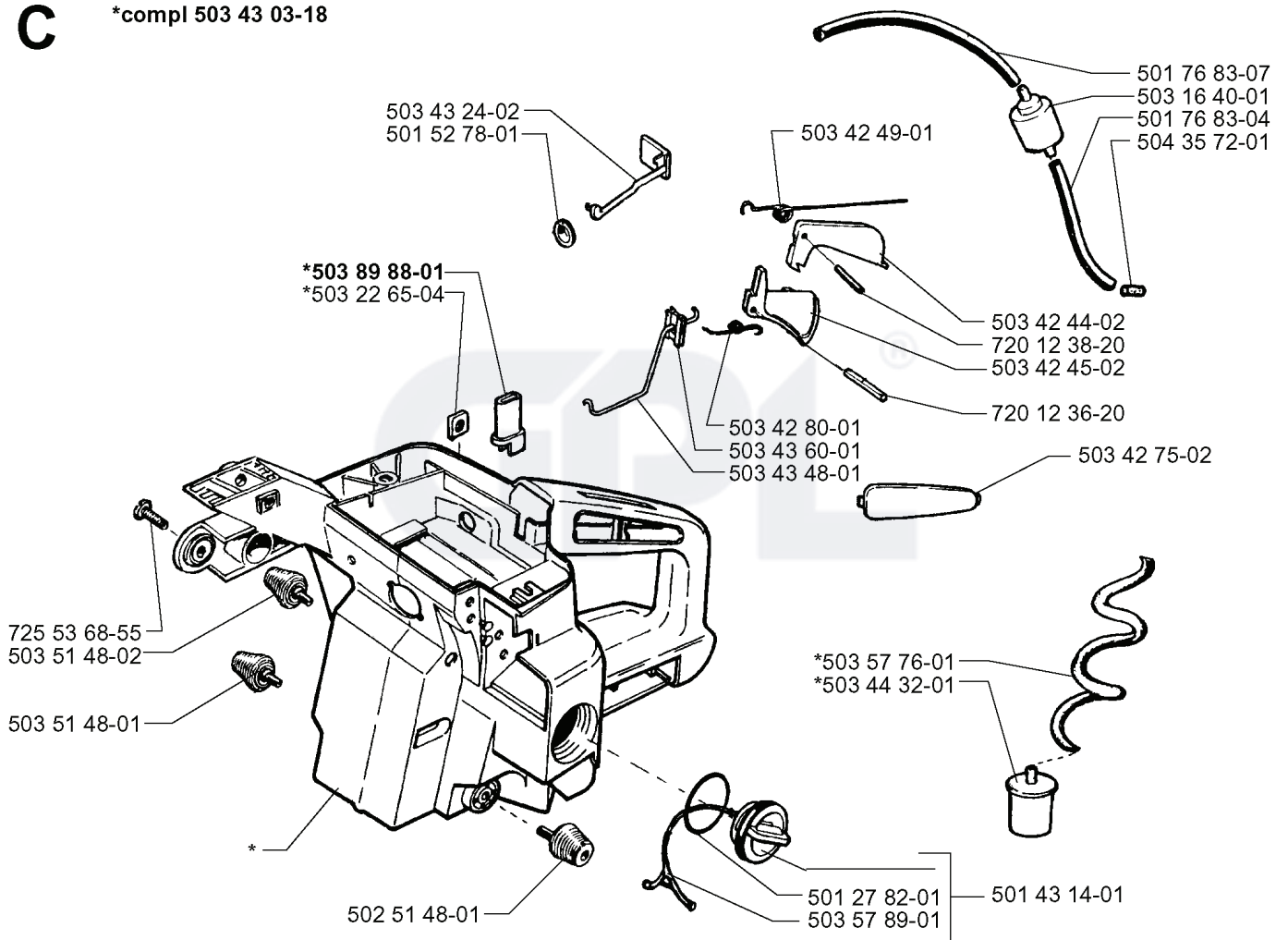
F



REF.	PART NO.	DESCRIPTION	REMARK	QTY.	KIT
501 48 54-02	501485402	SPARK PLUG CAP		1	
503 23 51-09	503235109	SPARK PLUG	RCJ 6Y	1	
503 84 50-01	503845001	CABLE		1	
505 27 75-16	505277516	CABLE SLEEVE		1	
503 62 05-02	503620502	ELECTRONIC MODULE		1	
503 20 25-20	503202520	SCREW IHSCM		1	
503 51 15-03	503511503	FLYWHEEL ASSY		1	
501 67 35-01	501673501	SPRING		1	
503 23 00-42	503230042	WASHER		1	
501 67 32-01	501673201	PAWL		1	
501 81 99-01	501819901	SCREW		1	
503 42 30-01	503423001	BAR		1	
503 21 32-16	503213216	SCREW CITXPANT		1	
503 23 43-02	503234302	WASHER		1	
503 43 21-05	503432105	STARTER PULLEY		1	
503 21 28-10	503212810	SCREW CCRPANT		1	
503 55 35-01	503553501	STARTER HOUSING		1	
503 20 34-19	503203419	SCREW CCRPANMO		1	
503 43 19-01	503431901	RECOIL SPRING		1	
501 63 06-01	501630601	SLEEVE		1	
501 20 15-02	501201502	STARTER ROPE		1	
504 65 42-03	504654203	STARTER HANDLE		1	
503 14 29-02	503142902	WASHER		1	
503 22 00-01	503220001	HEXAGON NUT		1	
503 55 40-01	503554001	STARTER ASSY		1	
503 20 25-12	503202512	SCREW IHSCM		1	
501 27 13-02	501271302	CABLE GROMMET		1	
503 42 70-01	503427001	STOP SWITCH ASSY		1	

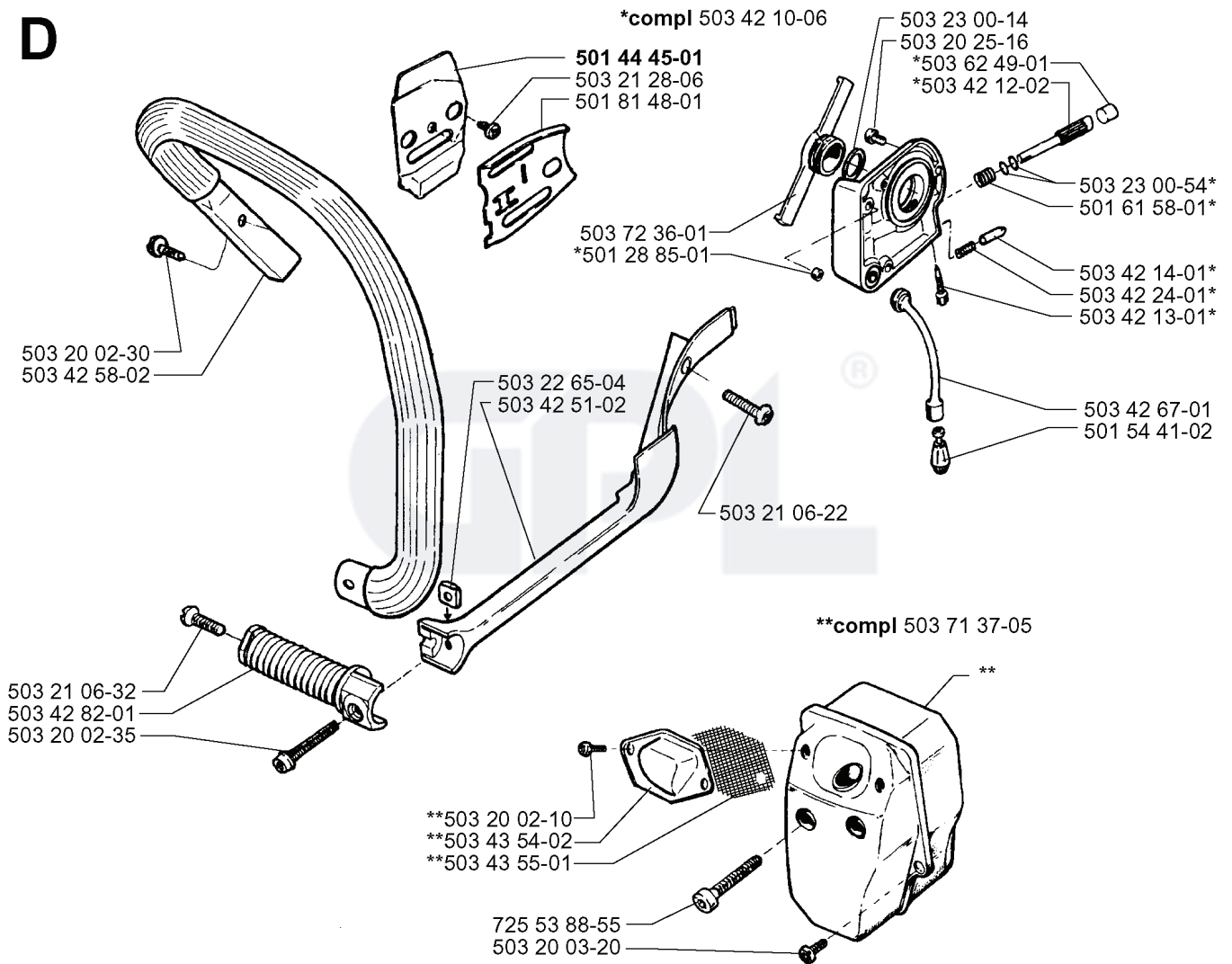
C

*compl 503 43 03-18



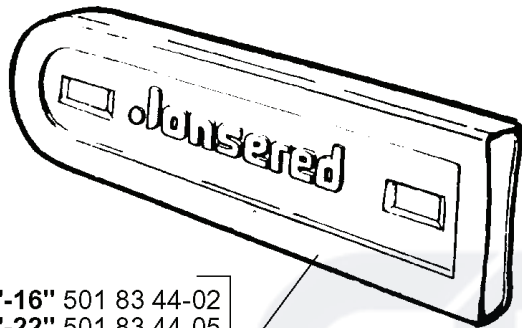
REF.	PART NO.	DESCRIPTION	REMARK	QTY.	KIT
503 43 03-18	503430318	FUEL TANK		1	
503 43 24-02	503432402	CHOKE CONTROL		1	
501 52 78-01	501527801	GROMMET		1	
503 89 88-01	503898801	GUIDE BUSHING		1	
503 22 65-04	503226504	SQUARE NUT		1	
725 53 68-55	725536855	SCREW IHSCM		1	
503 51 48-02	503514802	ANTIVIBRATION ELEMENT		1	
503 51 48-01	503514801	ANTIVIBRATION ELEMENT		1	
502 51 48-01	502514801	GREASE		1	
503 57 89-01	503578901	HOLDER		1	
501 27 82-01	501278201	GASKET		1	
501 43 14-01	501431401	TANK CAP ASSY		1	
503 44 32-01	503443201	FUEL FILTER		1	
503 57 76-01	503577601	FUEL HOSE		1	
503 43 48-01	503434801	THROTTLE WIRE		1	
503 43 60-01	503436001	GUIDE		1	
503 42 80-01	503428001	SPRING		1	
503 42 75-02	503427502	HANDLE INSERT		1	
720 12 36-20	720123620	PARALLEL PIN		1	
503 42 45-02	503424502	THROTTLE TRIGGER		1	
720 12 38-20	720123820	PARALLEL PIN		1	
503 42 44-02	503424402	THROTTLE LOCKOUT		1	
503 42 49-01	503424901	SPRING		1	
504 35 72-01	504357201	PLUG		1	
501 76 83-04	501768304	FUEL HOSE		1	
503 16 40-01	503164001	TANK VENT		1	
501 76 83-07	501768307	FUEL HOSE		1	

D



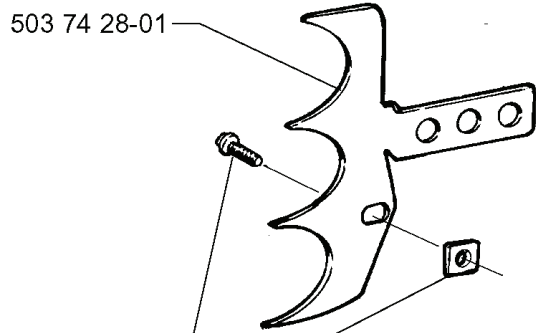
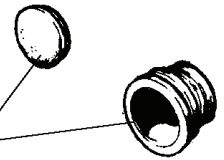
REF.	PART NO.	DESCRIPTION	REMARK	QTY.	KIT
503 20 02-30	503200230	SCREW IHSCFM		1	
503 42 58-02	503425802	FRONT HANDLE ASSY		1	
503 21 06-32	503210632	SCREW IHSCCT		1	
503 42 82-01	503428201	HANDLE HOLDER		1	
503 20 02-35	503200235	SCREW IHSCFM		1	
503 20 03-20	503200320	SCREW IHSCFM		1	
725 53 88-55	725538855	SCREW IHSCM		1	
503 43 55-01	503435501	SPARK ARRESTER SCREEN		1	
503 43 54-02	503435402	GILL PLATE		1	
503 20 02-10	503200210	SCREW IHSCFM		1	
503 42 51-02	503425102	BAR		1	
503 22 65-04	503226504	SQUARE NUT		1	
501 28 85-01	501288501	SEAL		1	
503 72 36-01	503723601	GEAR WHEEL		1	
501 81 48-01	501814801	PROTECTIVE PLATE		1	
503 21 28-06	503212806	SCREW CCRPANT		1	
501 44 45-01	501444501	GUIDE PLATE		1	
503 42 10-06	503421006	OIL PUMP ASSY		1	
503 21 06-22	503210622	SCREW IHSCCT		1	
503 71 37-05	503713705	MUFFLER ASSY		1	
501 54 41-02	501544102	OIL SCREEN		1	
503 42 67-01	503426701	OIL HOSE		1	
503 42 13-01	503421301	PIN SCREW		1	
503 42 24-01	503422401	SPRING		1	
503 42 14-01	503421401	INDEX TAPP		1	
501 61 58-01	501615801	SPRING		1	
503 23 00-54	503230054	WASHER		1	
503 42 12-02	503421202	PUMP PISTON		1	
503 62 49-01	503624901	SEALING PLUG		1	
503 20 25-16	503202516	SCREW IHSCM		1	
503 23 00-14	503230014	WASHER		1	

I

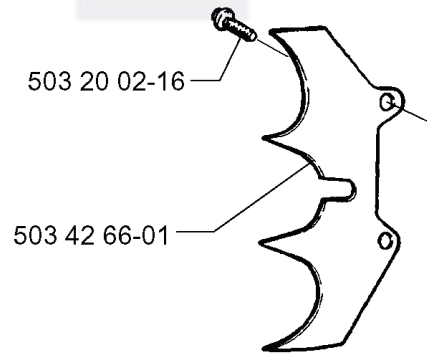


13"-16" 501 83 44-02
18"-22" 501 83 44-05
24"-28" 501 83 45-02

Vintersats
Winterkit
503 43 44-02



503 74 28-01
503 20 02-12
503 22 65-04



503 20 02-16
503 42 66-01

REF.	PART NO.	DESCRIPTION	REMARK	QTY.	KIT
5018344-02	501834402	BAR COVER	13	1	
5018344-05	501834405	BAR COVER	18	1	
5018345-02	501834502	BAR COVER	24	1	
5037428-01	503742801	SPIKE		1	
5032002-12	503200212	SCREW IHSCFM		1	
5032265-04	503226504	SQUARE NUT		1	
5034266-01	503426601	SPIKE		1	
5032002-16	503200216	SCREW IHSCFM		1	
5034344-02	503434402	WINTER KIT	VINTERSATS WINTERKIT	1	

