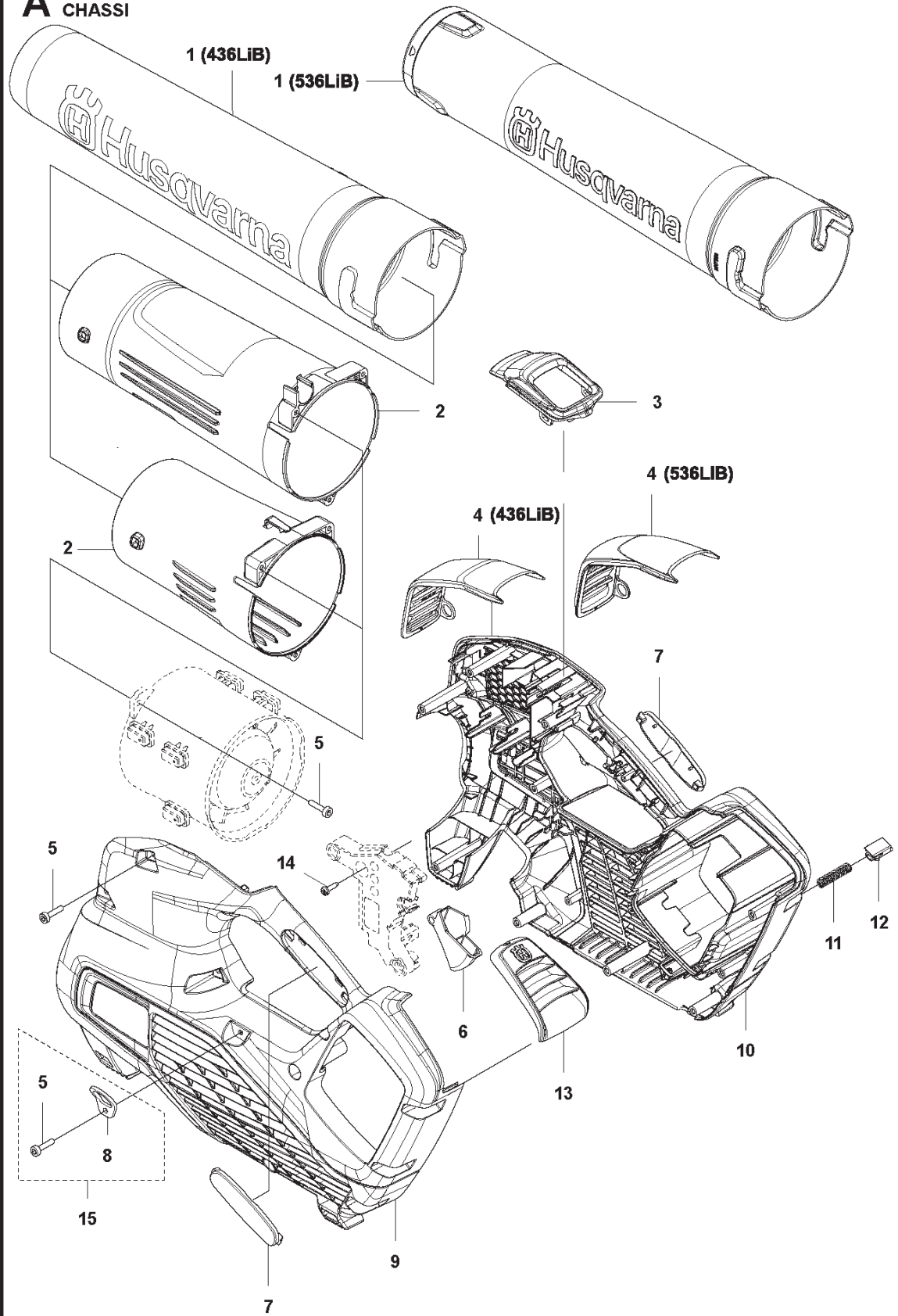


RESERVDELSKATALOG
: HUSQVARNA 436LIB MED BATTERI OCH LADDARE

Reservdelslista

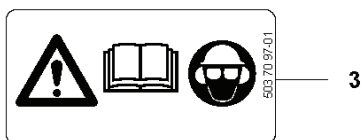
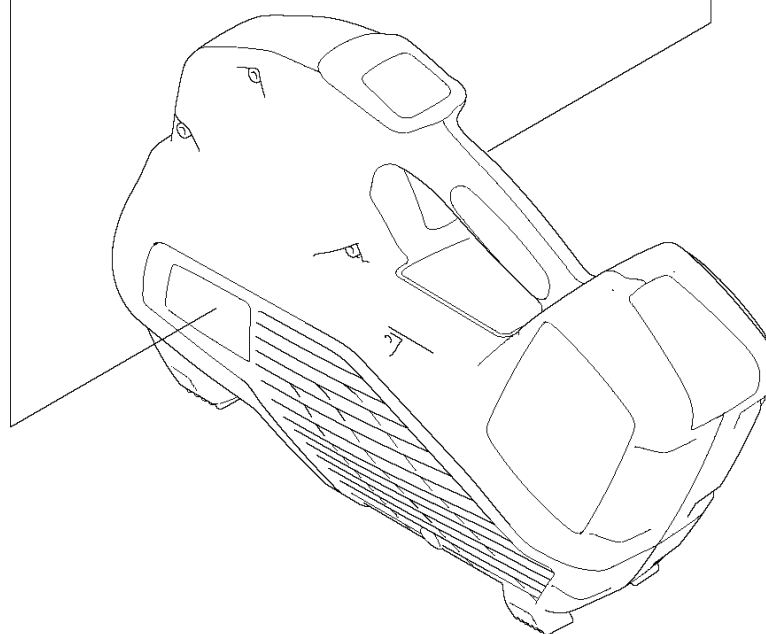
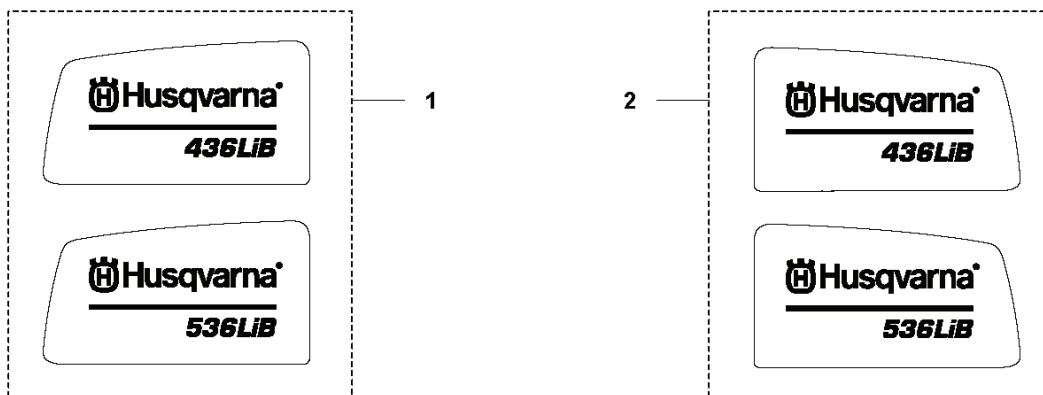
RESERVDELSLISTA

A 436/536 LiB
CHASSI



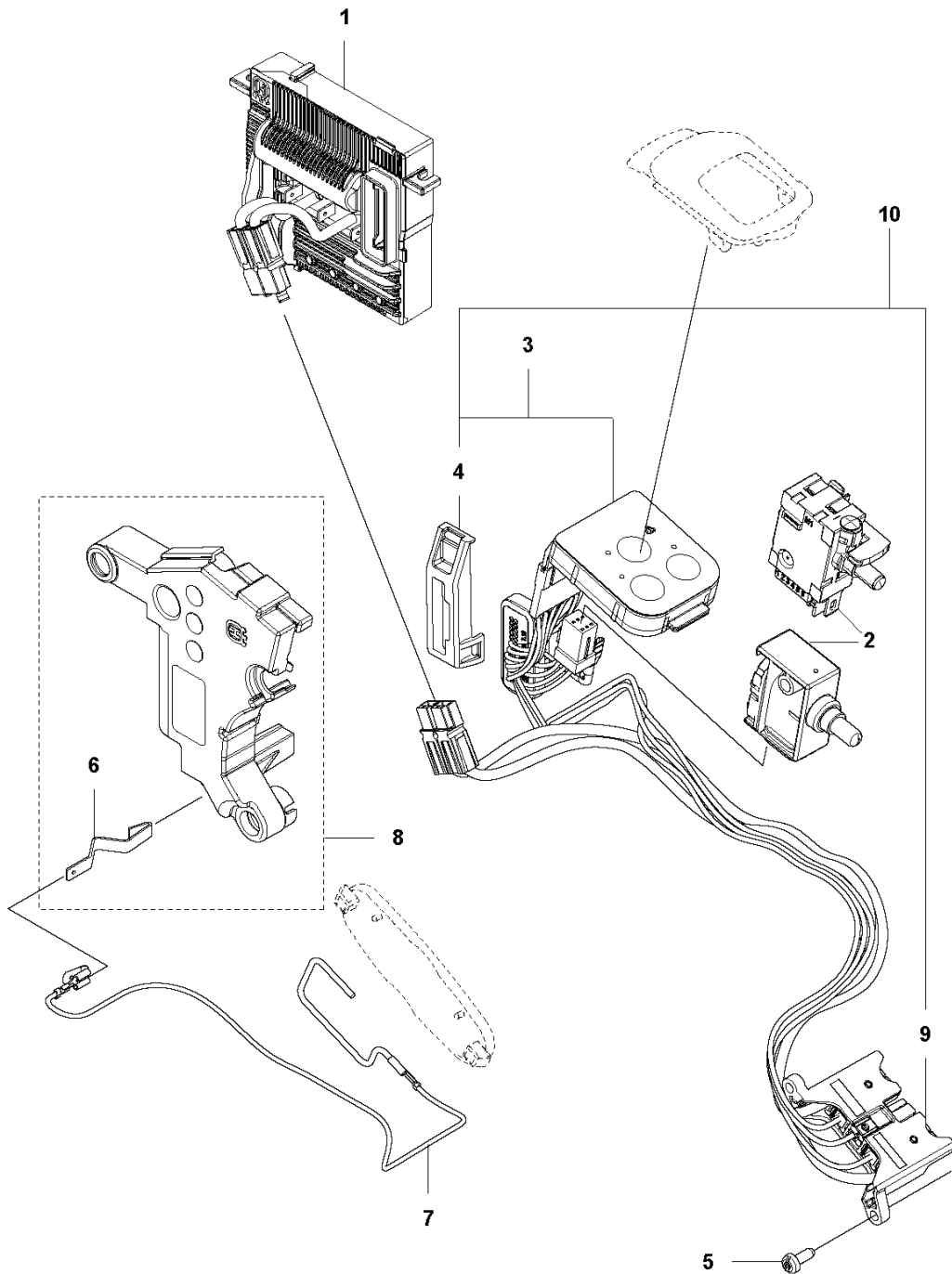
REF.	ART. NR	ARTIKELBESKRIVNING	ANMÄRKNING	KIT
1	584156802	MUNSTYCKE	436LiB up to S/N 20180100001	1
1	586106301	TUBE ASSY	536LiB up to S/N 20180100001	1
1	586106302	TUBE ASSY	536LiB from S/N 20180200037	1
1	582599601	MUNSTYCKE	436LiB from S/N 20180100002	1
2	584156601	RÖR	436/536 LiB up to S/N 20180100001	1
2	582501601	RÖR	436LiB from S/N 20180100002. 536LiB from S/N 20180200037	1
3	584213701	RAM		1
4	584914301	KÅPA	436LiB	1
4	584914701	KÅPA	536LiB	1
5	580292901	SCREW ITXSCT		16
6	579564102	GASREGLAGE		1
7	544042003	HANDTAGSINLÄGG		2
8	586514201	EYELET		1
9	584157402	HUS		1
10	584157302	HUS		1
11	585480001	FJÄDER		1
12	577996601	TRYCKKNAPP		1
13	576901201	KÅPA		1
14	503212813	SCREW CCRPANT		1
15	588009701	EYELET		1

B 436/536 LiB
DECALS



REF.	ART. NR	ARTIKELBESKRIVNING	ANMÄRKNING	KIT
1	586834102	DEKAL	536LiB	1
1	586834101	DEKAL	436LiB	1
2	586834201	DEKAL	436LiB	1
2	586834202	DEKAL	536LiB	1
3	503709701	DEKAL		1

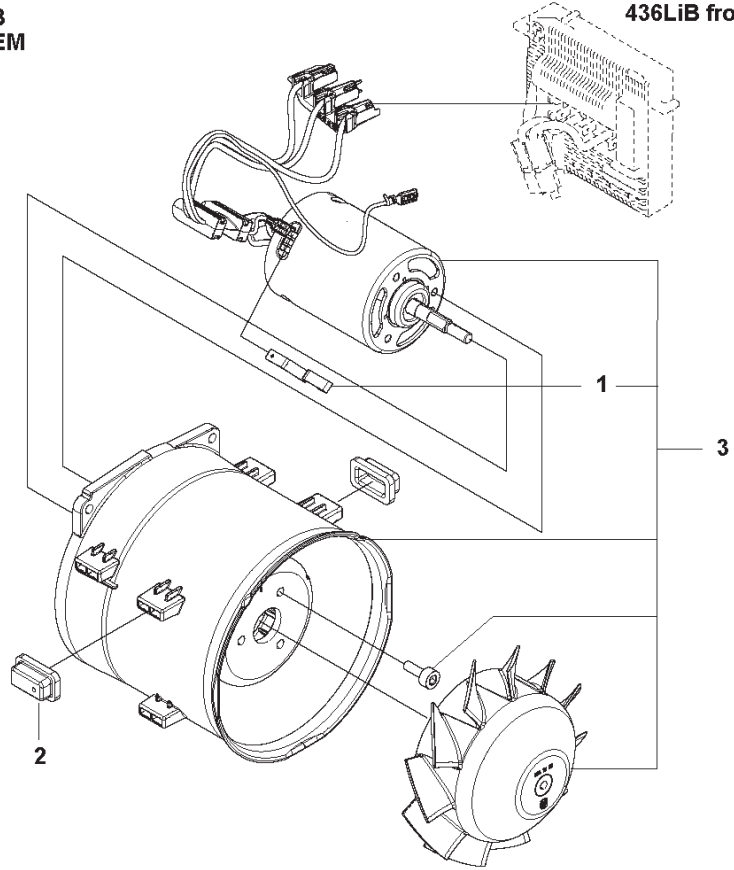
C 436/536 LiB
ELECTRIC SYSTEM



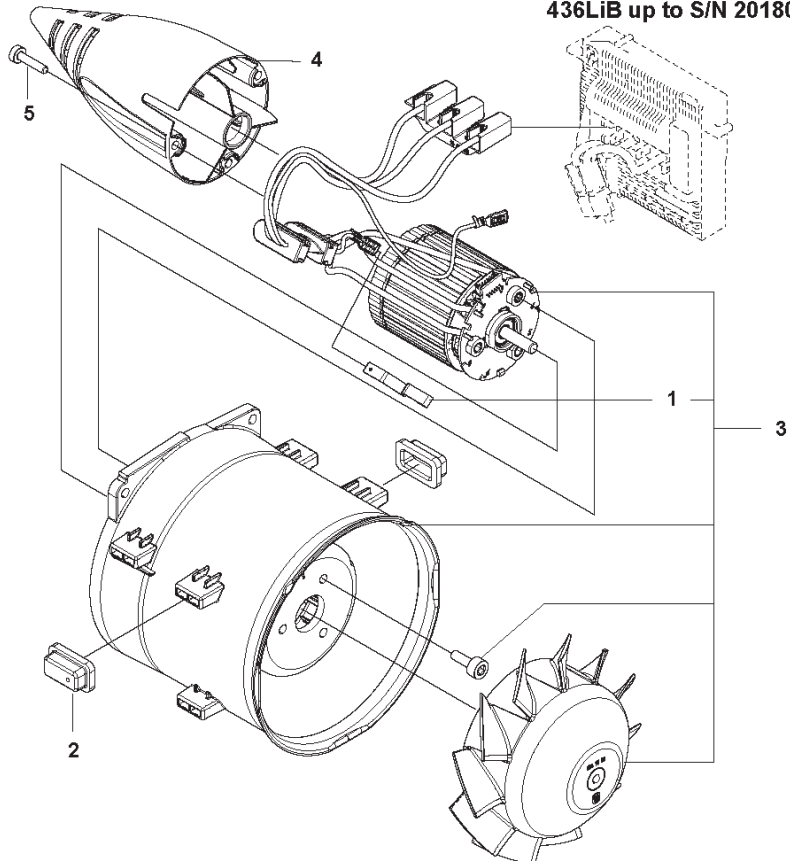
REF.	ART. NR	ARTIKELBESKRIVNING	ANMÄRKNING	KIT
1	587948601	MANÖVERDON		1
2	578326901	BRYTARE	436/536 LiB up to S/N 20180100001	1
2	582050701	BRYTARE	436LiB from S/N 20180100002. 536LiB from S/N 20180200037	1
3	587695902	KABLAGE KPL	436/536 LiB up to S/N 20180100001	1
4	587327201	FÄSTE		1
5	503212813	SCREW CCRPANT		2
6	586492201	FJÄDER		1
7	586963901	KABLAGE KPL		1
8	588009801	SATS		1
9	593813001	KOPPLING		1
10	582837601	KABLAGE KPL	436LiB from S/N 20180100002. 536LiB from S/N 20180200037	1

D 436/536 LiB
FAN SYSTEM

436LiB from S/N 2018010002

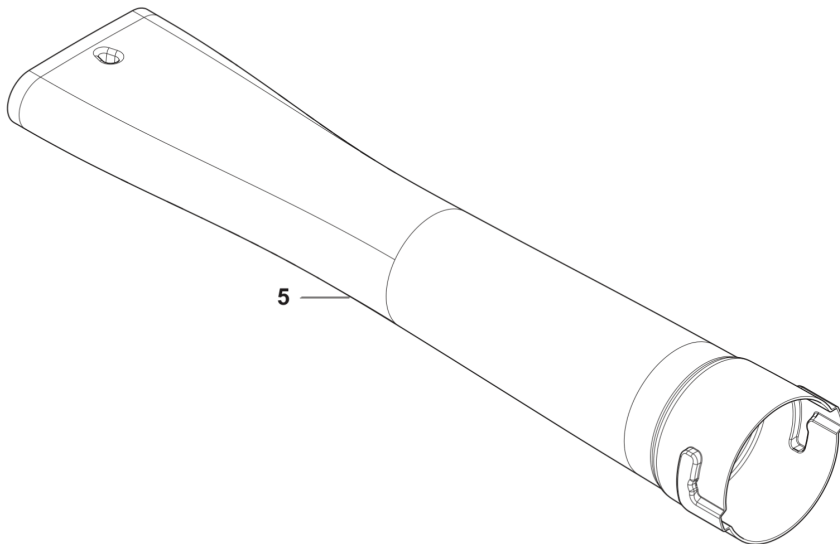
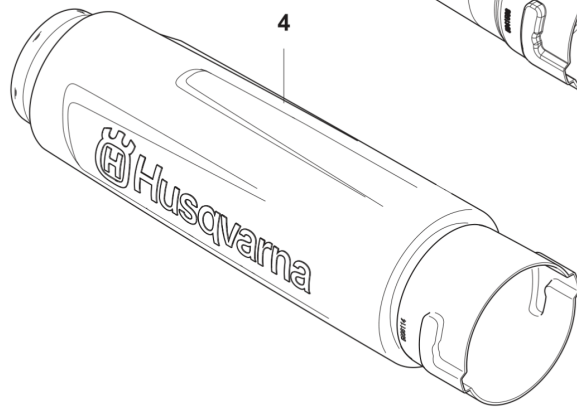
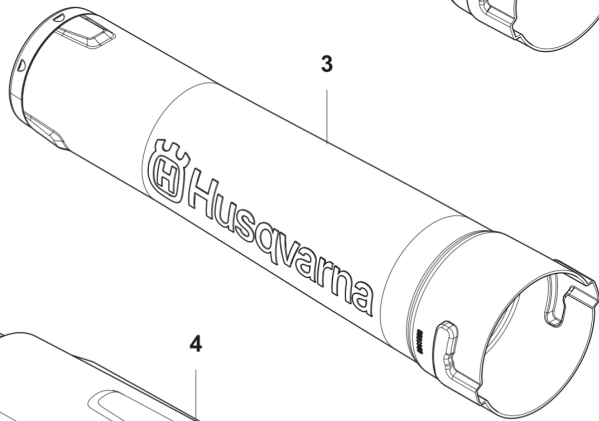
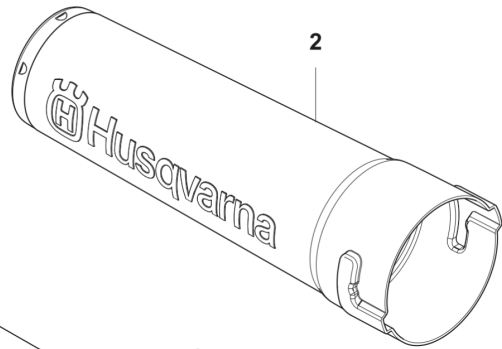
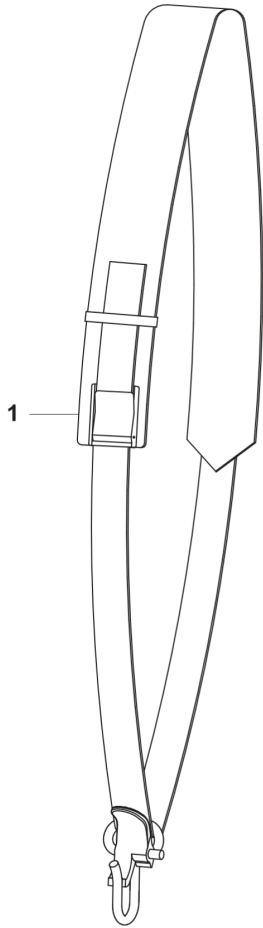


436LiB up to S/N 20180100001 and 536LiB



REF.	ART. NR	ARTIKELBESKRIVNING	ANMÄRKNING	KIT
1	586492201	FJÄDER		1
2	503911001	UPPHÄNGNING		6
3	594083001	MOTOR KPL	436LiB from S/N 20180100002	1
3	588009901	MOTOR KPL	436LiB up to S/N 20180100001 and 536LiB	1
4	584156501	KONA	436/536 LiB up to S/N 20180100001	1
5	579211901	SKRUV IH SCT	436/536 LiB up to S/N 20180100001	3

E 436/536 LiB
ACCESSORIES



REF.	ART. NR	ARTIKELBESKRIVNING	ANMÄRKNING	KIT
1	537216201	SELE		1
2	586106301	TUBE ASSY	Round Nozzle (300mm)	1
3	586106302	TUBE ASSY	Round Nozzle (400mm)	1
4	589811701	NOZZLE ASSY	Nozzle Silencer (400mm)	1
5	579797501	NOZZLE ASSY	Flat Nozzle (600mm)	1