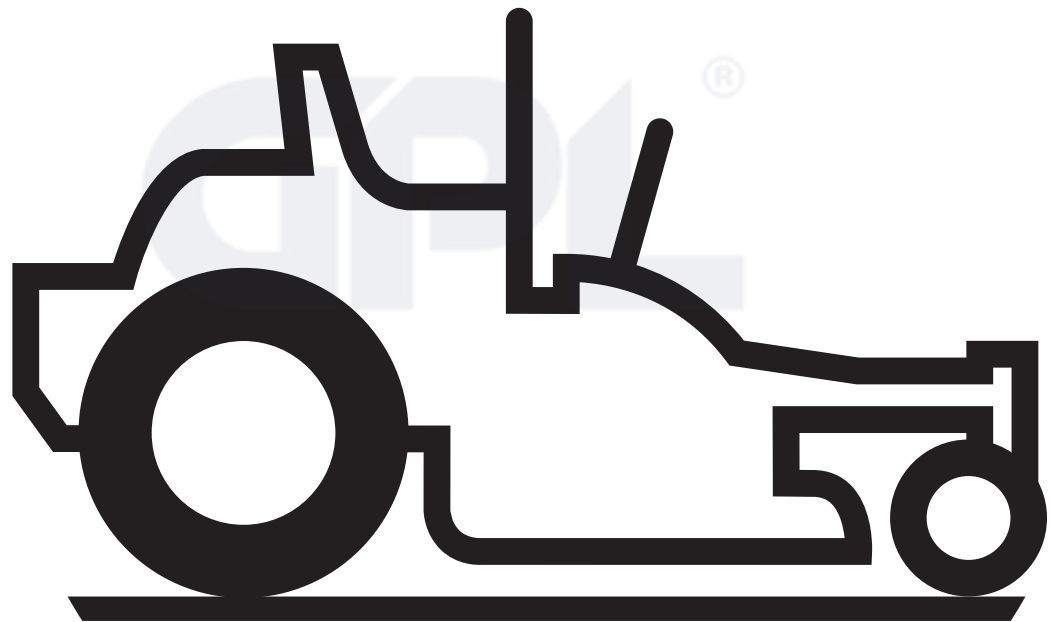


# Parts Manual

ZM3016 BF / 966564001

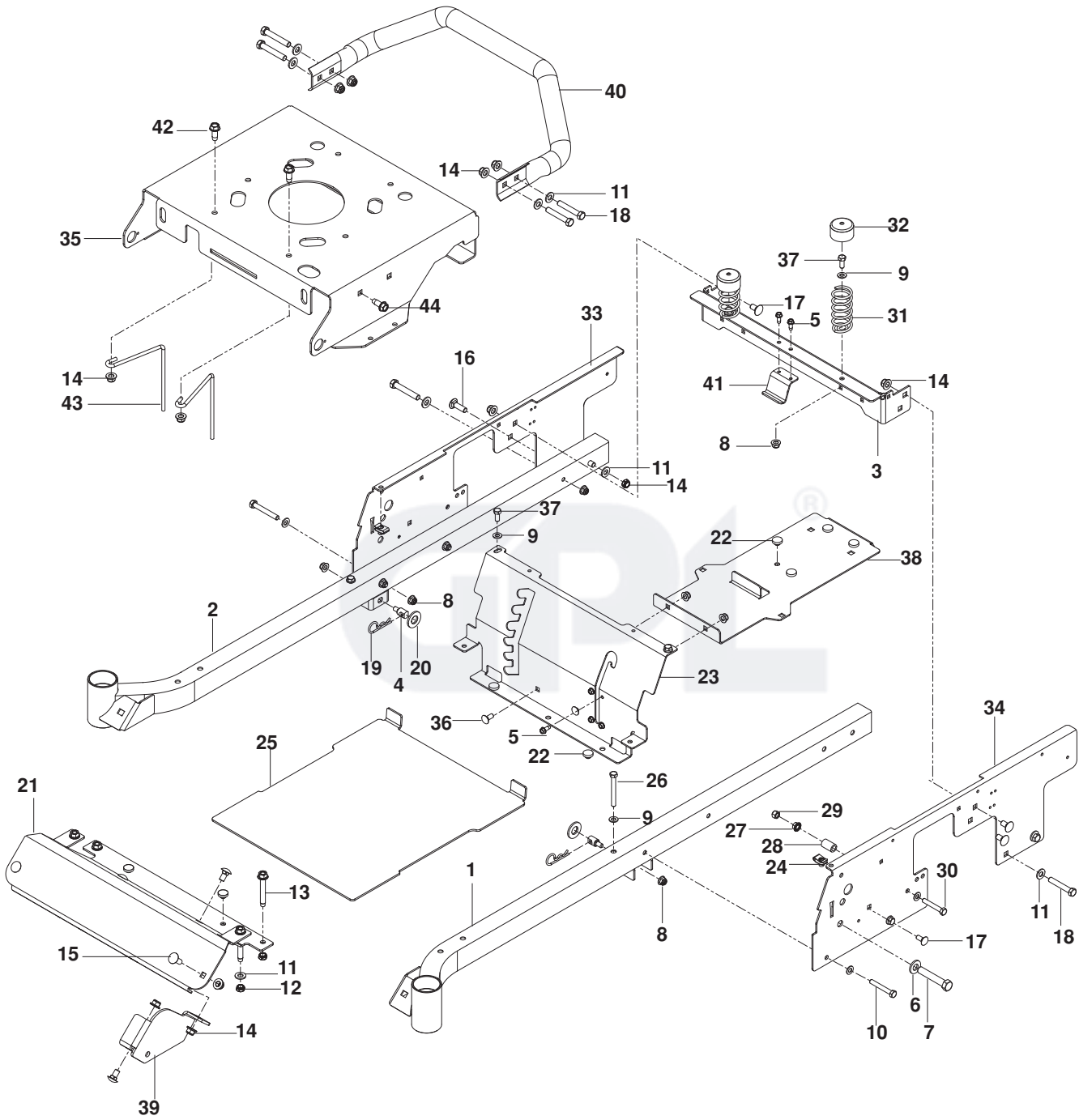
Only for US and AUS/NZ



 **McCULLOCH<sup>®</sup>**

Please read the operator's manual carefully and make sure you understand the instructions before using the machine.

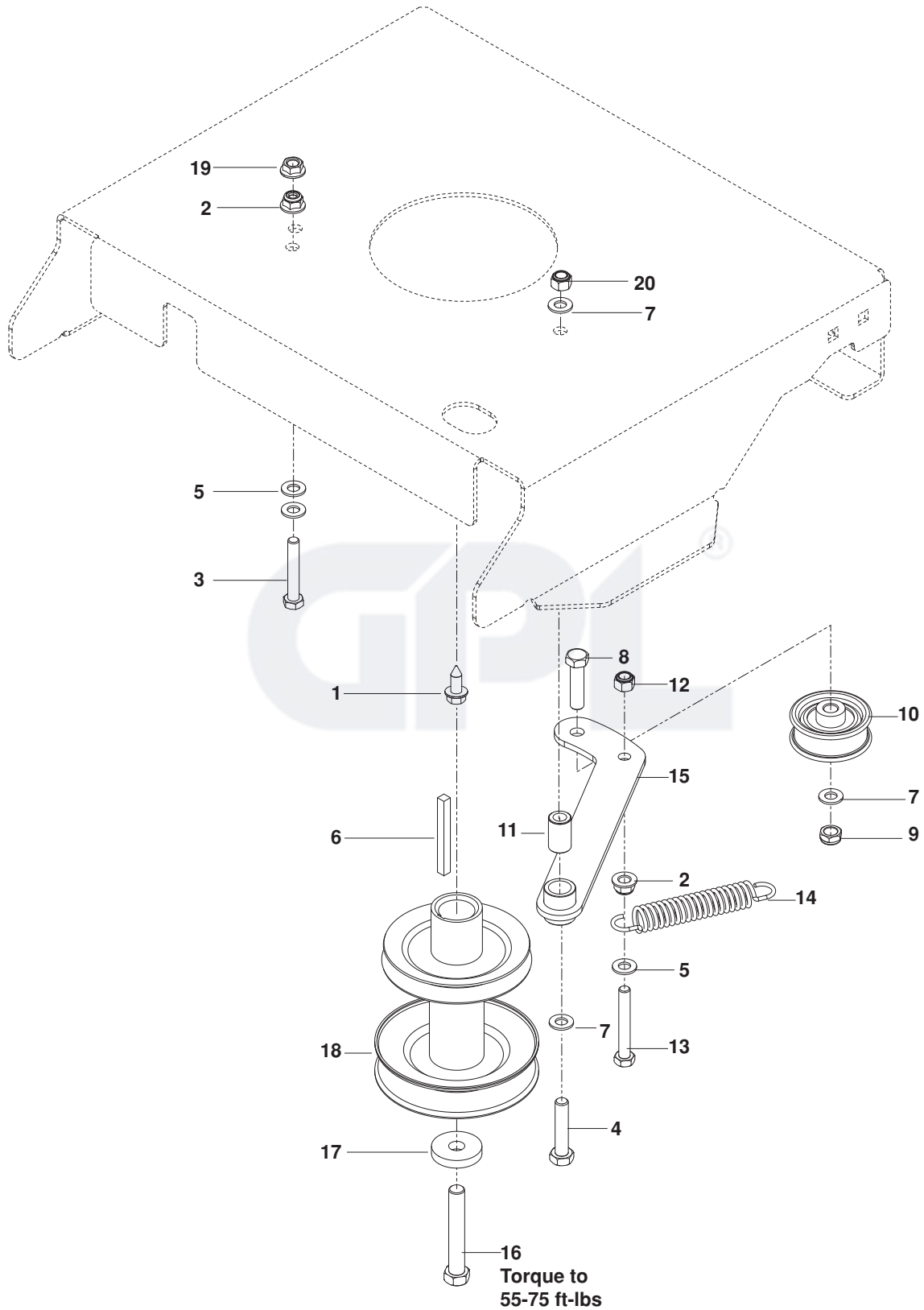
# FRAME



# FRAME

ITEM	PART NO.	QTY.	DESCRIPTION	ITEM	PART NO.	QTY.	DESCRIPTION
1..	525 454705....	1	.... FRAME TUBE, LH BLK	23..	575 852104....	1	.... PANEL, SEAT SUPPORT BLK
2..	525 454905....	1	.... FRAME TUBE, RH BLK	24..	539 104763....	4	.... RETAINER, U TYPE
3..	525 464604....	1	.... SUPPORT, REAR SEAT BLK	25..	576 452403....	1	.... FOOT PLATE w/ DECALS
4..	532 195161....	2	.... STUD w/ ANTI-ROTATE	26..	539 101721....	2	.... HCS $\frac{5}{16}$ -18 x $2\frac{3}{4}$
5..	539 990362....	6	.... SCREW $\frac{1}{4}$ -20 x $\frac{5}{8}$ SLF TAP	27..	539 990585....	4	.... NUT $\frac{5}{16}$ -18 HEX WHIZLK
6..	539 990250....	6	.... WASHER $\frac{1}{2}$ SAE	28..	539 119087....	2	.... BUSHING
7..	539 101332....	2	.... HCS $\frac{1}{2}$ -13 x $2\frac{3}{4}$	29..	539 990717....	8	.... NUT $\frac{5}{16}$ -18 HEX NYLOC
8..	539 112899..	14	.... NUT $\frac{5}{16}$ -18 FLANGE NYLOC	30..	539 976937....	2	.... HCS $\frac{5}{16}$ -18 x 2
9..	539 990188..	12	.... WASHER $\frac{5}{16}$ SAE FLT	31..	539 122632....	2	.... SPRING, SEAT
10..	539 976938....	4	.... HCS $\frac{5}{16}$ -18 x $2\frac{1}{4}$	32..	539 119884....	2	.... CAP, SPRING
11..	539 990122....	6	.... WASHER $\frac{3}{8}$ SAE FLT	33..	575 328405....	1	.... PLATE, RH BLK
12..	539 200282....	8	.... NUT $\frac{3}{8}$ -16 HEX JAM NYLOC	34..	575 328305....	1	.... PLATE, LH BLK
13..	539 111976....	4	.... BOLT $\frac{3}{8}$ -16 x $2\frac{5}{8}$ THD FRM	35..	525 462608....	1	.... PLATE, ENGINE BLK
14..	521 996501..	14	.... NUT $\frac{3}{8}$ -16 FLANGE NYLOC	36..	539 990316....	4	.... RHSNB $\frac{5}{16}$ -18 x $\frac{3}{4}$
15..	539 990645....	2	.... RHSNB $\frac{3}{8}$ -16 x 1	37..	539 976934....	4	.... HCS $\frac{5}{16}$ -18 x $\frac{3}{4}$
16..	539 100413....	1	.... RHSNB $\frac{3}{8}$ -16 x $1\frac{1}{4}$	38..	525 798402....	1	.... SUPPORT, TANK
17..	539 111785....	6	.... RHSNB $\frac{3}{8}$ -16 x $\frac{3}{4}$	39..	525 605502....	1	.... BRACKET, FRONT DECK
18..	539 990629....	8	.... HCS $\frac{3}{8}$ -16 x $2\frac{1}{4}$	40..	525 865904....	1	.... GUARD, REAR BLK
19..	539 976989....	2	.... HAIRPIN	41..	525 864502....	1	.... BRACKET, FUEL TANK
20..	539 976982....	2	.... WASHER $\frac{5}{8}$ SAE FLT	42..	539 107476....	2	.... BOLT $\frac{3}{8}$ -16 x 1 THD FRM
21..	522 740707....	1	.... FOOT REST BLK	43..	574 172901....	2	.... GUIDE, BELT
22..	539 102587....	8	.... GROMMET,BUMPER	44..	539 990369....	2	.... BOLT $\frac{5}{16}$ -18 x 1 THD FRM

# ENGINE PLATE



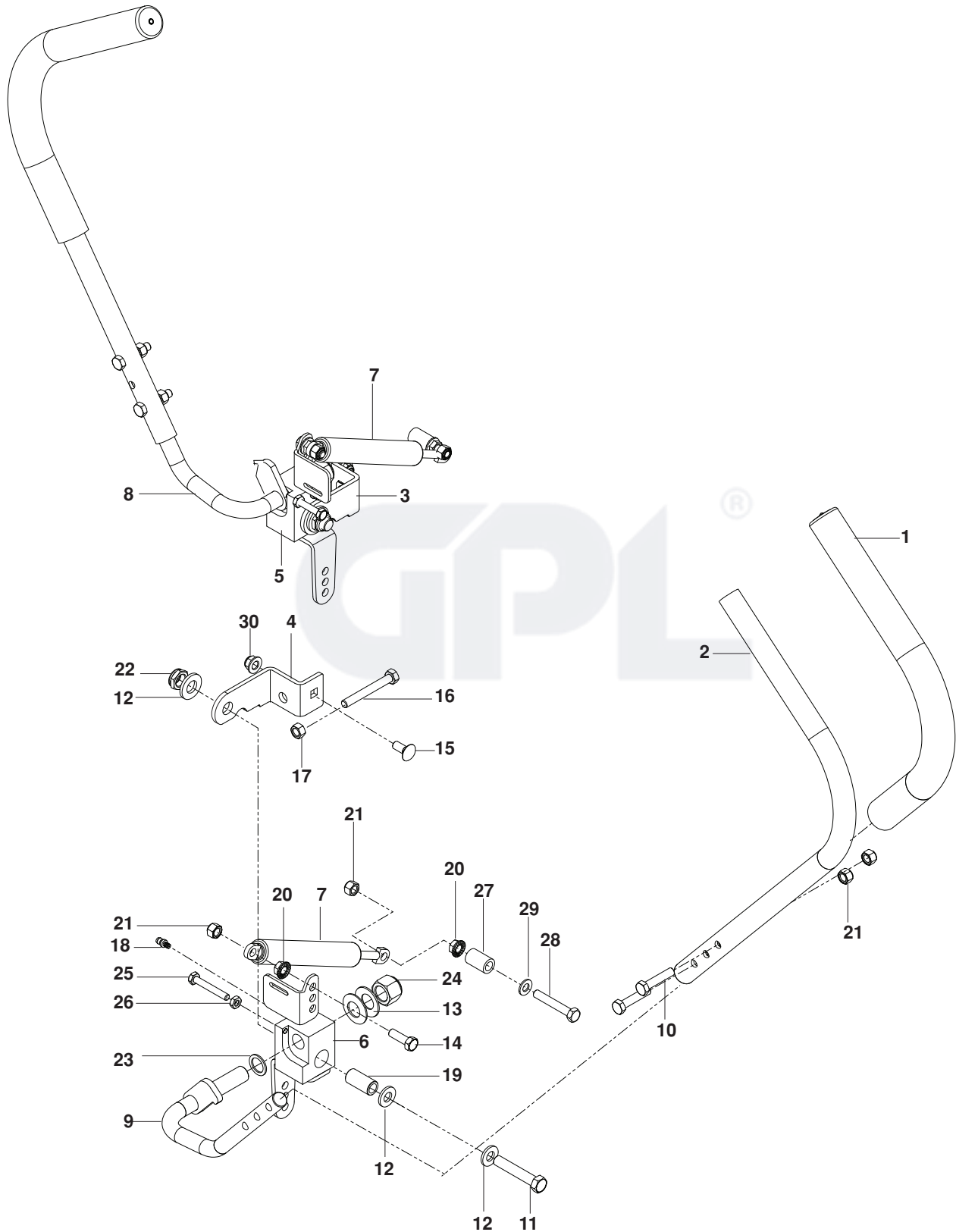
# ENGINE PLATE

---

ITEM	PART NO.	QTY.	DESCRIPTION	ITEM	PART NO.	QTY.	DESCRIPTION
1..	532 120616....	3	.... HHFS 3/8-16 x 1 THD FRM	12..	539 990717....	1	.... NUT 5/16-18 HEX NYLOC
2..	539 112899....	2	.... NUT 5/16-18 FLANGE NYLOC	13..	539 976938....	1	.... HCS 5/16-18 x 2 1/4
3..	539 976937....	1	.... HCS 5/16-18 x 2	14..	539 116350....	1	.... SPRING 3 1/2
4..	539 990588....	1	.... HCS 3/8-16 x 2	15..	539 120990....	1	.... ARM, IDLER
5..	539 990188....	3	.... WASHER 5/16 SAE FLT	16..	539 110065....	1	.... HCS 7/16-20 x 2 3/4
6..	539 917033....	1	.... KEY 1/4 SQ x 2 1/2 LG	17..	539 115546....	1	.... WASHER
7..	539 990517....	3	.... WASHER 3/8 FLT STD	18..	574 872801 ...	1	.... PULLEY, ENGINE
8..	539 990655....	1	.... HCS 3/8-16 x 1 1/2	19..	539 990585....	1	.... NUT 5/16-18 HEX WHIZLK
9..	539 200282....	1	.... NUT 3/8-16 HEX JAM NYLOC	20..	539 976979....	3	.... NUT 3/8-16 HEX NYLOC
10..	539 120812....	1	.... PULLEY, IDLER		NOT SHOWN		
11..	539 115270....	1	.... BUSHING, METAL		576 014301 ...	1	.... PIGTAIL, B&S



# STEERING

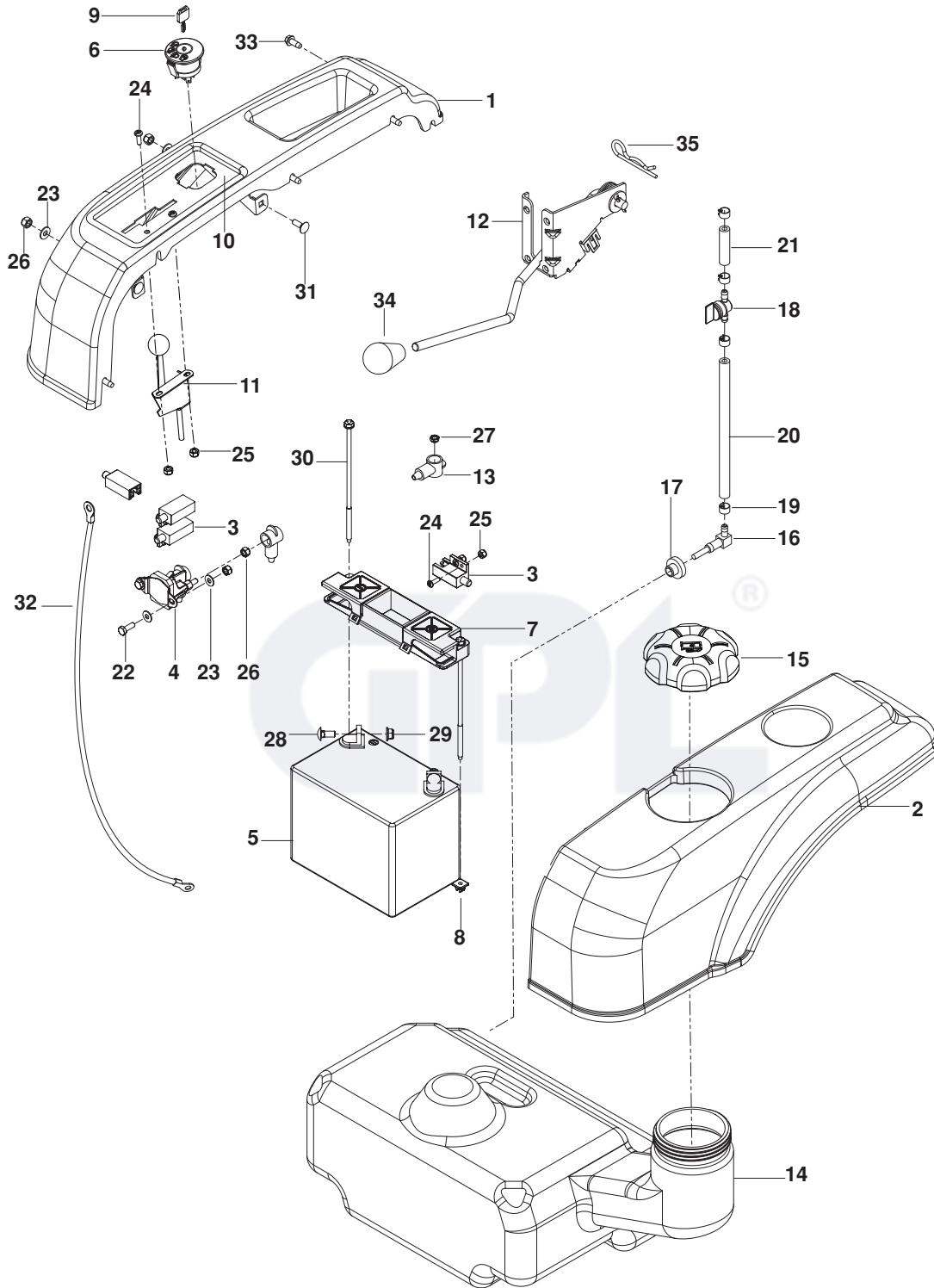


# STEERING

ITEM	PART NO.	QTY.	DESCRIPTION	ITEM	PART NO.	QTY.	DESCRIPTION
1..	539 120899....2	....	GRIP	16..	539 108396....2	....	BOLT, HEX $\frac{5}{16}$ -18 x $2\frac{1}{2}$ TPBLT
2..	539 120160....2	....	LEVER, UPPER	17..	539 990196....2	....	NUT, $\frac{5}{16}$ -18 HEX
3..	539 117949....1	....	STOP, STEER CNTRL RH	18..	539 115638....2	....	ZERK
4..	539 117950....1	....	STOP, STEER CNTRL LH	19..	539 120956....2	....	BUSHING $\frac{1}{2}$ ID x $\frac{3}{4}$ OD
5..	539 120984....1	....	PIVOT, RH	20..	539 990585....2	....	NUT $\frac{5}{16}$ -18 HEX WHIZLK
6..	539 120983....1	....	PIVOT, LH	21..	539 990717....6	....	NUT $\frac{5}{16}$ -18 HEX NYLOC
7..	539 114453....2	....	DAMPENER	22..	539 108010....2	....	NUT $\frac{1}{2}$ -13 JAM NYLOC GR 2
8..	539 120159....1	....	LOWER LEVER, RH	23..	539 115570....2	....	WASHER, SPECIAL
9..	539 120162....1	....	LOWER LEVER, LH	24..	539 110340....2	....	NUT $\frac{5}{8}$ -11 NYLOC
10..	539 976935....4	....	HCS $\frac{5}{16}$ -18 x $1\frac{1}{2}$	25..	539 991003....2	....	HCS $\frac{1}{4}$ -20 x $1\frac{3}{4}$
11..	539 101332....2	....	HCS $\frac{1}{2}$ -13 x $2\frac{3}{4}$	26..	539 991112....2	....	NUT $\frac{1}{4}$ -20 JAM
12..	539 990250....6	....	WASHER $\frac{1}{2}$ SAE	27..	539 119087....2	....	BUSHING
13..	539 911121....4	....	WASHER $\frac{5}{8}$ BELLEVILLE	28..	539 976937....2	....	HCS $\frac{5}{16}$ -18 x 2
14..	539 990209....2	....	HCS $\frac{5}{16}$ -18 x 1	29..	539 990188....2	....	WASHER $\frac{5}{16}$ SAE FLT
15..	539 990316....2	....	RHSNB $\frac{5}{16}$ -18 x $\frac{3}{4}$	30..	539 112899....2	....	NUT $\frac{5}{16}$ -18 FLG HEX NYLOC



# IGNITION SYSTEM

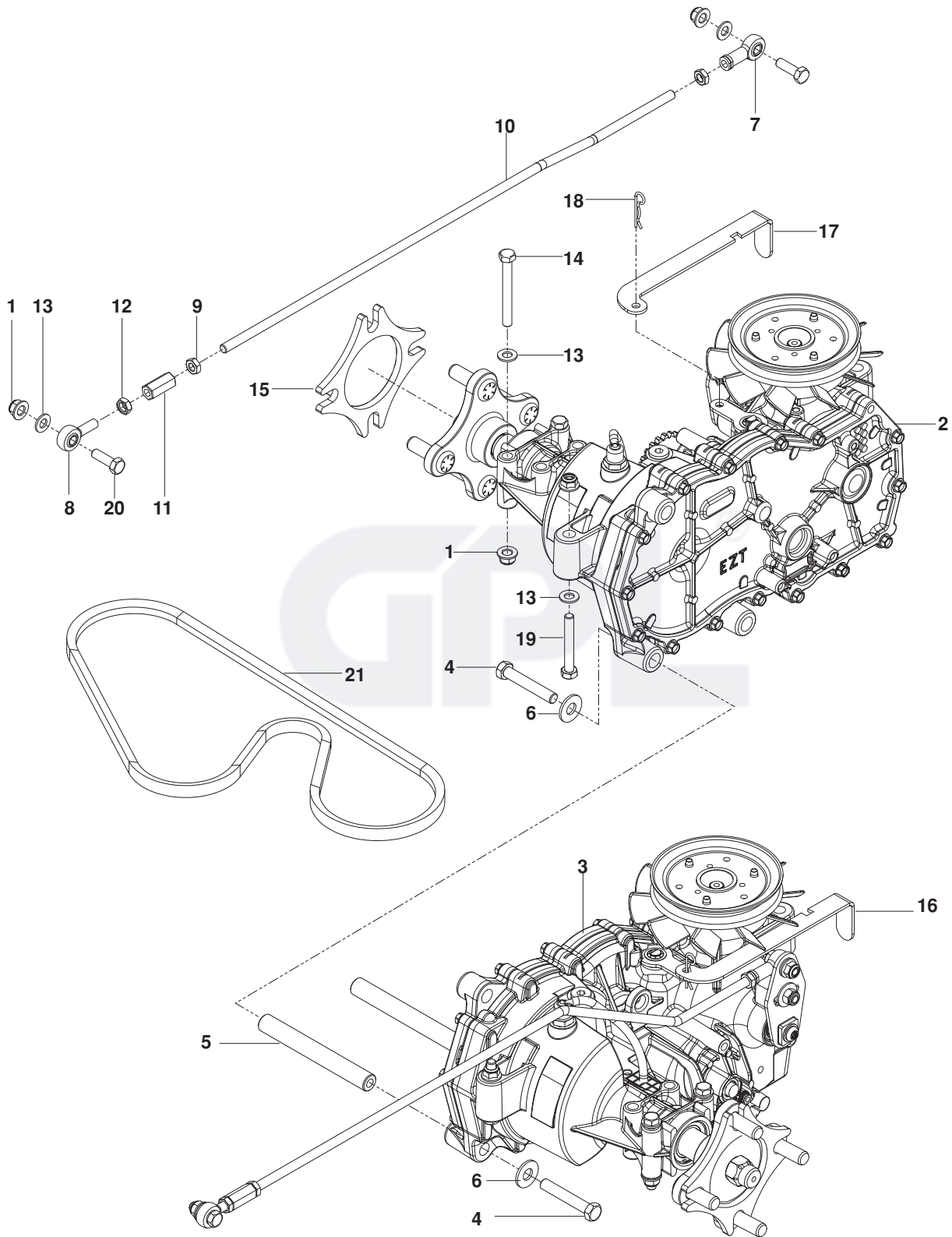


# IGNITION SYSTEM

---

ITEM	PART NO.	QTY.	DESCRIPTION	ITEM	PART NO.	QTY.	DESCRIPTION
1..	539 120193....	1	FENDER, RH	21..	539 121486....	1	HOSE, 1/4 x 2
2..	539 120192....	1	FENDER, LH	22..	539 990580....	2	HCS 1/4-20 x 3/4
3..	539 101080....	4	SWITCH	23..	539 990055....	2	WASHER 1/4 FLT SAE
4..	539 101714....	1	SOLENOID	24..	539 976952....	4	SCREW #10-24 x 5/8
5..	539 102436....	1	BATTERY	25..	539 976977....	4	NUT #10-24 HEX NYLOC
6..	539 107541....	1	SWITCH, IGNITION	26..	539 976978....	4	NUT 1/4-20 HEX NYLOC
7..	539 107628....	1	BATTERY HOLD DOWN	27..	539 108120....	1	NUT 1/4-20 HEX THIN NYLOC
8..	539 107629....	2	NUT 1/4 PUSH NYLON	28..	539 990316....	2	RHSNB 5/16-18 x 3/4
9..	539 107544....	1	KEY, IGNITION	29..	539 112899....	2	NUT 5/16-18 FLANGE NYLOC
10..	575 962901....	1	PANEL, CONTROLS BLK	30..	539 107632....	2	BOLT 1/4 x 7 1/2
11..	522 730101....	1	CABLE, THROTTLE	31..	539 990074....	2	RHSNB 1/4-20 x 3/4 GR2
12..	575 661501....	1	CLUTCH ASSY w/ CABLE	32..	539 110068....	1	BATTERY CABLE, NEGATIVE
	532 193235 ...	1	CABLE, CLUTCH	33..	539 990362....	9	SCREW 1/4-20 x 5/8 SLF TAP
13..	539 116400....	3	TERMINAL COVER, SM	34..	539 132624....	1	GRIP, CLUTCH
14..	574 790702....	1	TANK, FUEL	35..	532 165898....	1	RETAINER, SPRING
15..	539 130393....	1	CAP, FUEL		NOT SHOWN		
16..	539 124804....	1	ELBOW w/ FILTER		539 104974 ...	1	CABLE, POSITIVE
17..	539 126217....	1	FITTING, TANK		539 103306 ...	1	CABLE, POSITIVE LONG
18..	539 916325....	1	VALVE, FUEL		525 744301 ...	1	WIRING HARNESS
19..	539 912222....	4	CLAMP, HOSE		539 110290 ...	2	FOAM STRIP, TANK
20..	539 115736....	1	HOSE 1/4 x 8				

# HYDRAULIC PUMP / MOTOR



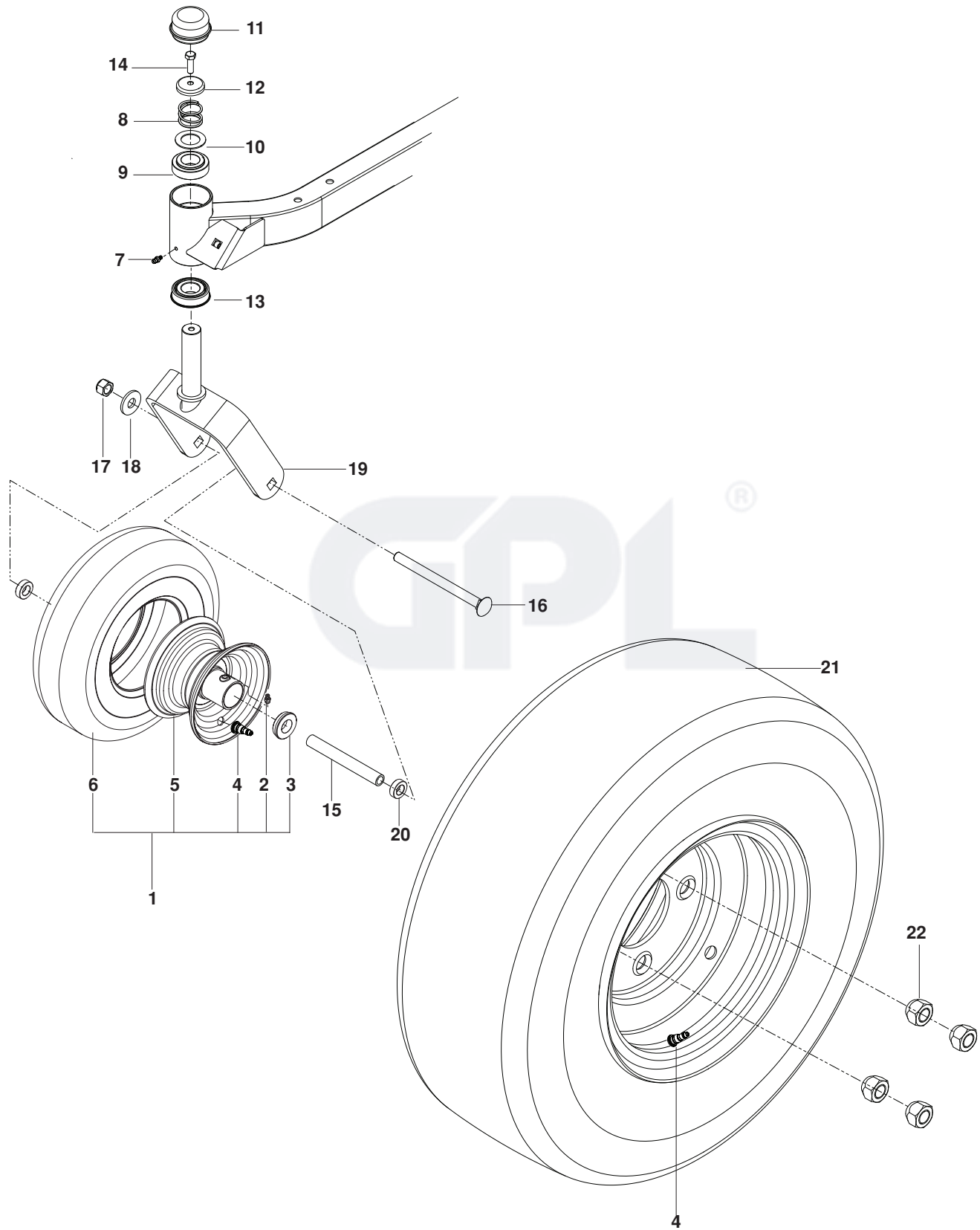
# HYDRAULIC PUMP / MOTOR

---

ITEM	PART NO.	QTY.	DESCRIPTION	ITEM	PART NO.	QTY.	DESCRIPTION
1..	539 112899..	10	.... NUT $5/16$ -18 FLANGE NYLOC	12..	539 991073....	2	.... NUT $5/16$ -24 HEX JAM LH
2..	539 120152....	1	.... HYDRO, RH	13..	539 990188..	10	.... WASHER $5/16$ SAE FLT
3..	539 120153....	1	.... HYDRO, LH	14..	539 101721....	4	.... HCS $5/16$ -18 x $2\frac{3}{4}$
4..	539 990629....	4	.... HCS $3/8$ -16 x $2\frac{1}{4}$	15..	539 114804....	2	.... SPACER, WHEEL
5..	539 120154....	2	.... SPACER, HYDRO	16..	539 120156....	1	.... RELEASE HANDLE, LH
6..	539 990517....	4	.... WASHER $3/8$ FLT STD	17..	539 120157....	1	.... RELEASE HANDLE, RH
7..	539 115729....	2	.... ROD END, RH	18..	539 976988....	2	.... HAIRPIN COTTER
8..	539 116690....	2	.... ROD END, MALE LH	19..	539 976938....	2	.... HCS $5/16$ -18 x $2\frac{1}{4}$
9..	539 115502....	4	.... NUT $5/16$ -24 HEX JAM	20..	539 990209....	4	.... HCS $5/16$ -18 x 1
10..	539 120169....	2	.... ROD, CONTROL	21..	539 120806....	1	.... BELT, EZT
11..	539 116689....	2	.... ROD END COUPLER				



# WHEELS / TIRES



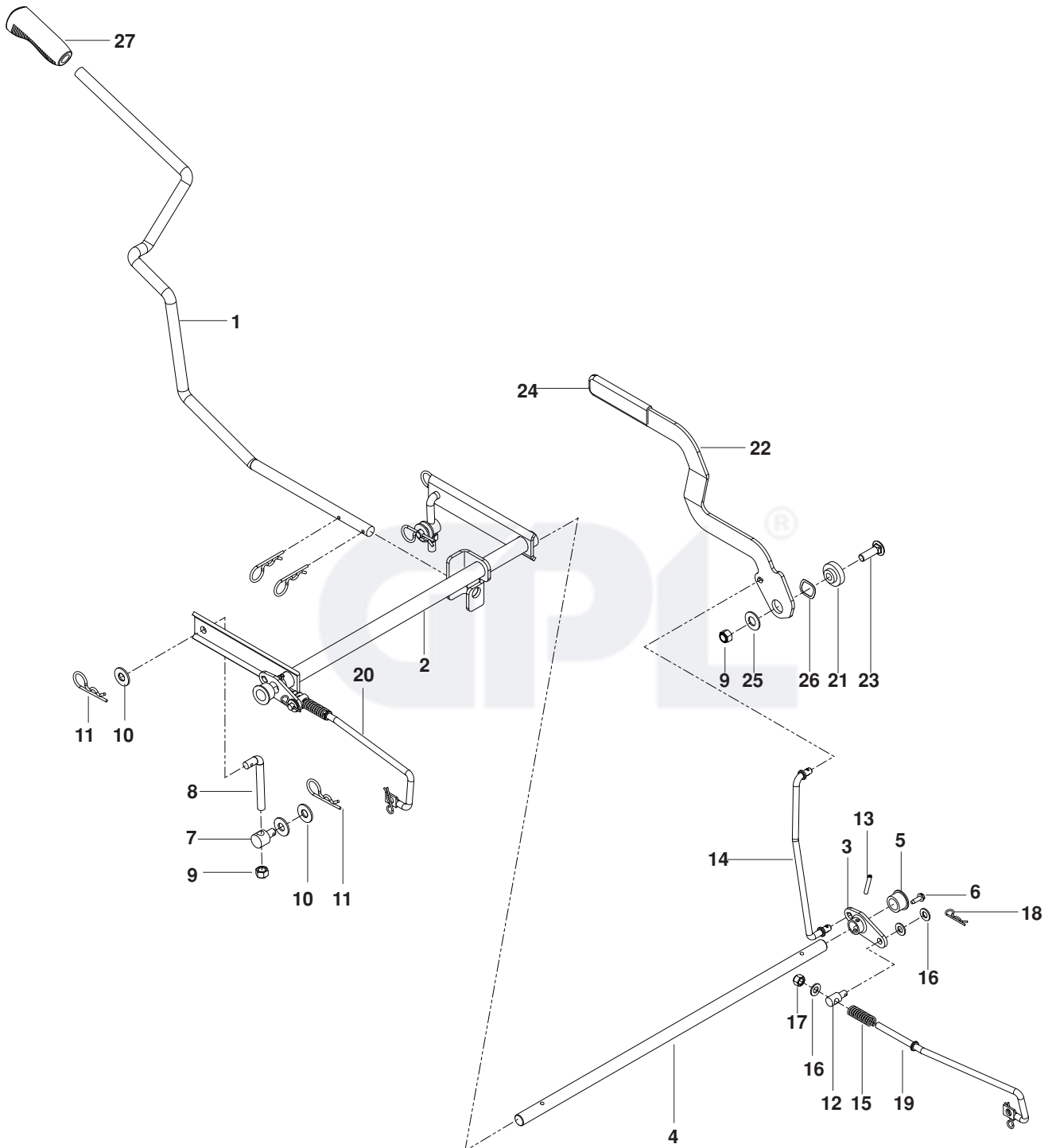
# WHEELS / TIRES

---

ITEM	PART NO.	QTY.	DESCRIPTION	ITEM	PART NO.	QTY.	DESCRIPTION
1..	516 001902....	2	.... CASTER TIRE ASSY	12..	539 115749....	2	.... PLUG, CASTER
2..	539 976998....	2	.... ZERK	13..	539 112660....	2	.... BEARING, FLANGED
3..	539 102484....	4	.... BEARING, FLANGED	14..	539 115566....	2	.... HHB $\frac{5}{16}$ -18 x 1 NYLOC
4..	539 912234....	4	.... VALVE	15..	539 105543....	2	.... SPACER
5..	539 110183....	2	.... RIM	16..	539 121159....	2	.... RHSNB $\frac{1}{2}$ -13 x 6 $\frac{1}{2}$
6..	539 114697....	2	.... TIRE	17..	539 101331....	2	.... NUT $\frac{1}{2}$ HEX NYLOC
7..	539 115638....	2	.... ZERK	18..	539 109554....	2	.... WASHER $\frac{1}{2}$ FLT
8..	539 115747....	2	.... SPRING, CASTER	19..	510 186502....	2	.... YOKE, CASTER BLK
9..	539 117901....	2	.... BUSHING, CASTER	20..	539 114805....	4	.... SPACER $\frac{5}{16}$
10..	539 115675....	2	.... WASHER	21..	575 812402....	2	.... WHEEL ASSY REAR
11..	539 102535....	2	.... CAP, GREASE	22..	539 101173....	8	.... NUT $\frac{1}{2}$ LUG



# BRAKE / DECK LIFT



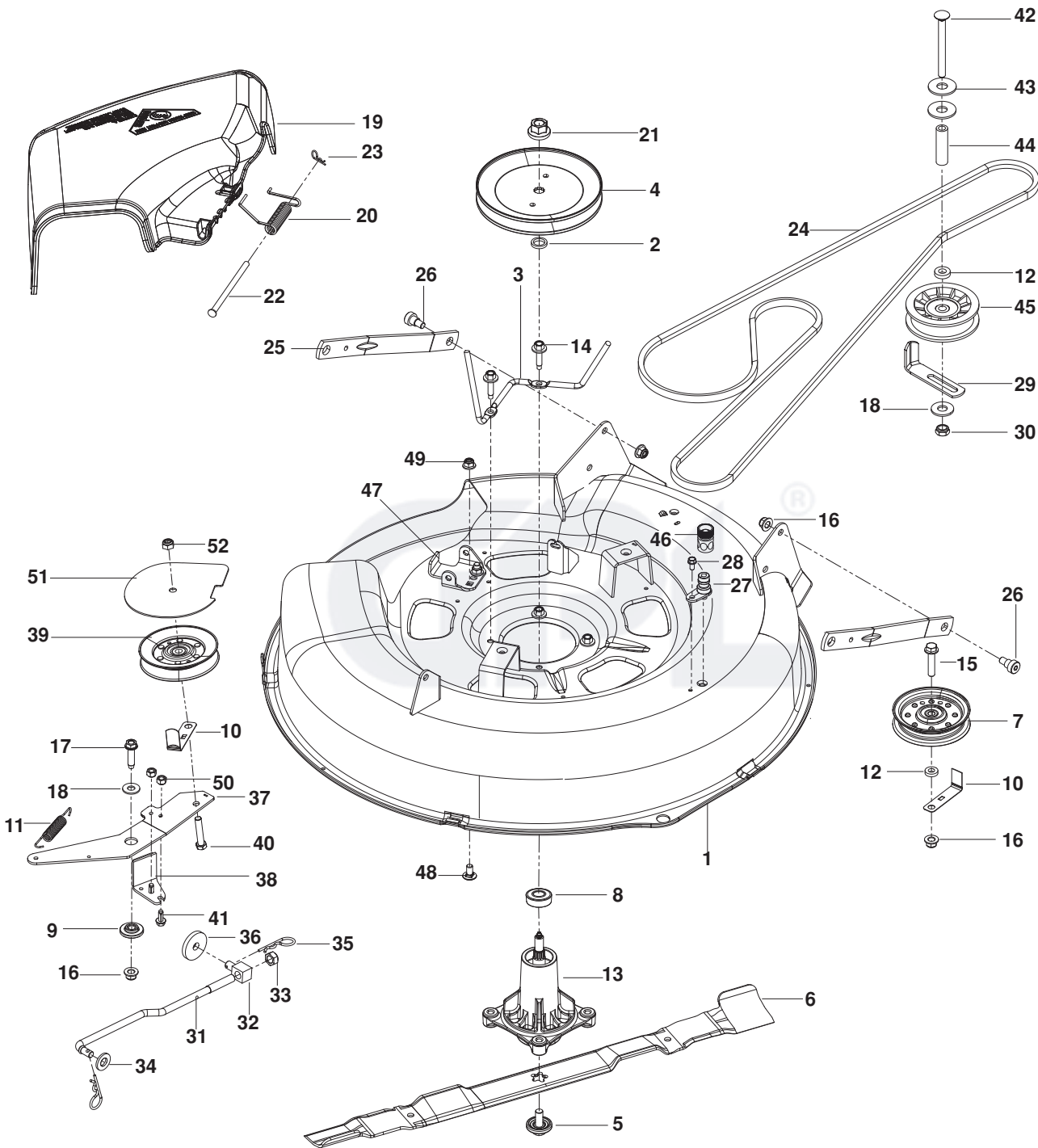
# BRAKE / DECK LIFT

---

ITEM	PART NO.	QTY.	DESCRIPTION	ITEM	PART NO.	QTY.	DESCRIPTION
1..	525 580402....	1	.... HANDLE, LIFT	15..	539 101224....	2	.... SPRING
2..	525 580604....	1	.... SHAFT, LIFT	16..	539 990188....	6	.... WASHER <sup>5</sup> / <sub>16</sub> SAE FLT
3..	525 580201....	2	.... BELLCRANK, BRAKE	17..	539 990717....	2	.... NUT <sup>5</sup> / <sub>16</sub> -18 HEX NYLOC
4..	525 580301....	1	.... ROD, BRAKE	18..	539 976988....	4	.... HAIRPIN COTTER
5..	539 109368....	2	.... BUSHING, PLASTIC	19..	525 583601....	1	.... LINKAGE, BRAKE RT
6..	539 991034....	2	.... SCREW 10-24 x <sup>5</sup> / <sub>8</sub> " WSH HD	20..	525 583701....	1	.... LINKAGE, BRAKE LT
7..	539 118179....	2	.... SWIVEL	21..	539 120220....	1	.... PIVOT, BRAKE ARM
8..	539 115658....	2	.... L-ROD 3 <sup>1</sup> / <sub>2</sub> "	22..	525 485602....	1	.... HANDLE, BRAKE
9..	539 976979....	3	.... NUT <sup>3</sup> / <sub>8</sub> -16 HEX NYLOC	23..	539 100413....	1	.... RHSNB <sup>3</sup> / <sub>8</sub> -16 x 1 <sup>1</sup> / <sub>4</sub>
10..	539 990517....	7	.... WASHER <sup>3</sup> / <sub>8</sub> FLT STD	24..	539 120921....	1	.... GRIP, BRAKE HANDLE
11..	539 976989....	6	.... HAIRPIN	25..	539 102843....	1	.... WASHER <sup>7</sup> / <sub>16</sub> SPRING DISK
12..	539 112308....	2	.... SWIVEL, BRAKE	26..	539 133007....	1	.... WASHER, .825
13..	539 101082....	2	.... ROLL PIN <sup>3</sup> / <sub>16</sub> "	27..	532 196492....	1	.... GRIP, LIFT HANDLE
14..	525 735701....	1	.... LINKAGE, UPPER				



# 30" DECK

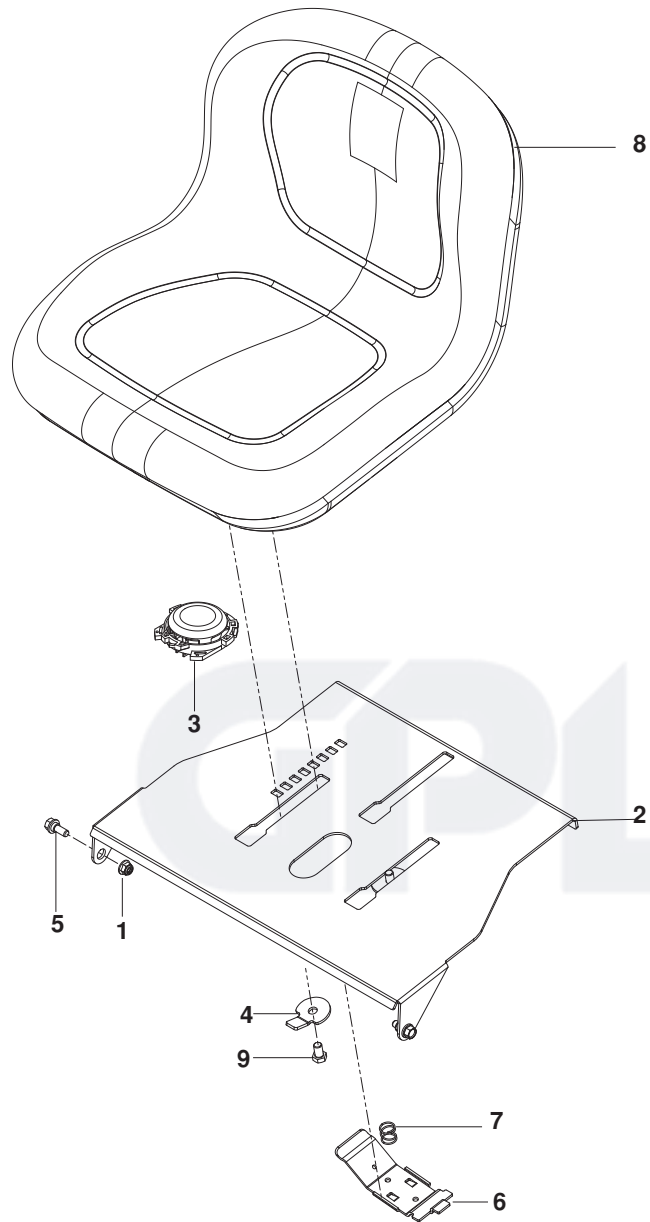


## 30" DECK

ITEM	PART NO.	QTY.	DESCRIPTION	ITEM	PART NO.	QTY.	DESCRIPTION
1..	574 453403....	1	.... DECK w/ DECALS BLK	28..	539 108461....	1	.... BOLT 1/4-20 x 1/2 HWST
2..	539 107520....	1	.... WASHER/SPACER	29..	525 851801....	1	.... GUIDE, BELT
3..	532 400140....	1	.... KEEPER, BELT	30..	539 200282....	1	.... NUT 3/8-16 HEX JAM NYLOC
4..	532 199791....	1	.... PULLEY, MANDREL	31..	532 195740....	1	.... LINK, SUSPENSION
5..	532 193003....	1	.... BOLT/WASHER ASSY	32..	539 114789....	1	.... SWIVEL
6..	532 419274....	1	.... BLADE, MOWER/MULCH	33..	573 975201....	1	.... NUT 7/16-20 HEX NYLOC
7..	532 175820....	1	.... PULLEY, IDLER	34..	539 990250....	1	.... WASHER 1/2 SAE
8..	539 112050....	1	.... BEARING, BALL	35..	539 976989....	2	.... HAIRPIN
9..	532 199092....	1	.... SPACER RETAINER	36..	539 106504....	1	.... WASHER 1 3/4 x 1/4 HEAVY
10..	529 311701....	2	.... KEEPER, BELT	37..	574 172804....	1	.... ARM, IDLER
11..	532 401872....	1	.... SPRING RETURN	38..	529 311801....	1	.... ARM, LH BRAKE
12..	539 109562....	2	.... WASHER 3/8 x 3/4	39..	532 173902....	1	.... IDLER V-GROOVE
13..	539 112057....	1	.... MANDREL ASSY	40..	539 990655....	1	.... HCS 3/8-16 x 1 1/2
14..	539 107630....	4	.... SCREW 5/16-18 WASHER HD	41..	539 107631....	2	.... SCREW 1/4-20 x 5/8 THDROLL
15..	539 990701....	1	.... BOLT 3/8-16 x 1 3/4 WHIZLK	42..	525 848601....	1	.... RHSNB 3/8-16 x 4
16..	521 996501....	5	.... NUT 3/8-16 FLANGE NYLOC	43..	539 104864....	2	.... WASHER 7/16 FLT
17..	539 110025....	1	.... BOLT 3/8-16 x 1 1/2 THD FRM	44..	525 848801....	1	.... SPACER .390 ID x 2 1/4
18..	539 990517....	2	.... WASHER 3/8 FLT STD	45..	539 110311....	1	.... PULLEY, DECK IDLER
19..	532 417344....	1	.... CHUTE, DISCHARGE	46..	532 416405....	1	.... COUPLING, QUICK DISC
20..	539 107609....	1	.... SPRING, TORSION	47..	532 192557....	1	.... BRACKET, DEFLECTOR
21..	539 107590....	1	.... NUT 9/16 TOP CENTER LOCK	48..	539 990799....	2	.... RHSNB 5/16-18 x 5/8
22..	539 110736....	1	.... PIN, CLEVIS	49..	539 112899....	2	.... NUT 5/16-18 FLANGE NYLOC
23..	539 976988....	1	.... HAIRPIN	50..	539 976978....	2	.... NUT 1/4-20 HEX NYLOC
24..	574 173002....	1	.... BELT, DECK	51..	573 970402....	1	.... COVER, PULLEY
25..	532 195185....	2	.... ARM, DECK SUSPENSION	52..	539 109332....	1	.... NUT 3/8-16 HEX JAM
26..	539 113621....	2	.... BOLT 3/8-16 x 3/8 SKT HD				
27..	532 415598....	1	.... WASHOUT PORT				

# SEAT

---



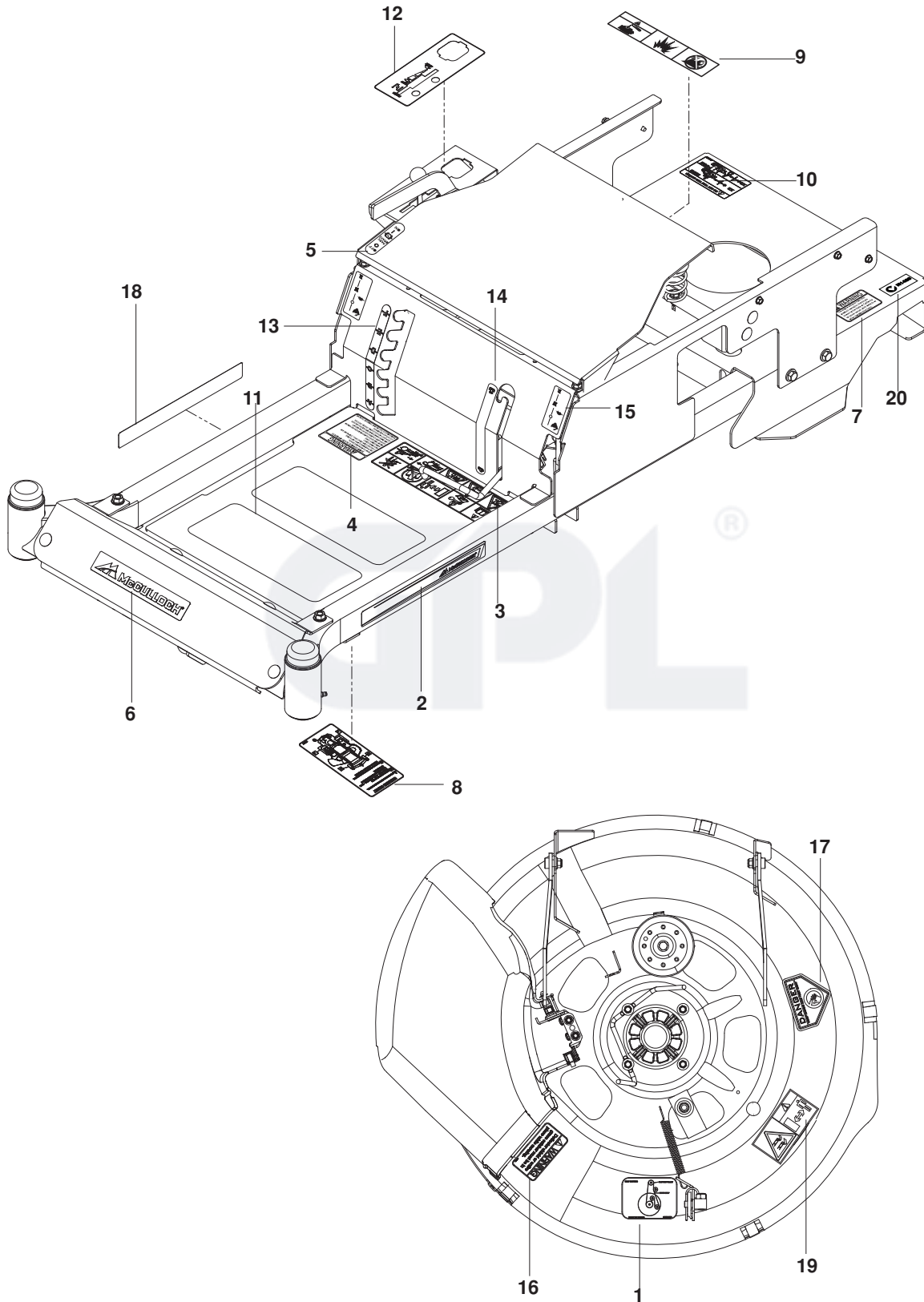
# SEAT

---

ITEM	PART NO.	QTY.	DESCRIPTION	ITEM	PART NO.	QTY.	DESCRIPTION
1..	539 112899....2	....	NUT $\frac{5}{16}$ -18 FLANGE NYLOC	6..	532 197661....1	....	HANDLE, SEAT SLIDE
2..	525 580004....1	....	PLATE, SEAT BLK	7..	532 198200....1	....	SPRING, SEAT SLIDE
3..	539 132140....1	....	SWITCH, SEAT N/C	8..	532 424068....1	....	SEAT
4..	574 191002....1	....	STOP, SEAT	9..	539 108503....3	....	HCS $\frac{3}{8}$ -16 x $\frac{5}{8}$
5..	539 110303....2	....	BOLT $\frac{5}{16}$ -SHOULDER				



# DECALS



# DECALS

---

ITEM	PART NO.	QTY.	DESCRIPTION	ITEM	PART NO.	QTY.	DESCRIPTION
1..	525 798501....	1 ....	DECAL, BELT ROUTING	12..	575 927001....	1 ....	DECAL, CONTROL PANEL
2..	575 926802....	2 ....	DECAL, LOGO LT	13..	525 814201....	1 ....	DECAL, DECK HEIGHT
3..	539 109908....	1 ....	DECAL, SAFETY WARNING	14..	525 814301....	1 ....	DECAL, BLADE ENGAGE
4..	539 113213....	1 ....	DECAL, WARNINGS	15..	575 927201....	2 ....	DECAL, MOTION CONTROL
5..	539 120006....	1 ....	DECAL, PARK BRAKE	16..	539 113224....	1 ....	DECAL, WARNING
6..	575 926701....	1 ....	DECAL, LOGO FRONT	17..	539 913010....	1 ....	DECAL, BLADE WARN
7..	539 101881....	1 ....	DECAL, PROP 65	18..	575 926801....	1 ....	DECAL, LOGO, RT
8..	539 109897....	1 ....	DECAL, SERVICE	19..	539 105746....	1 ....	DECAL, SEVERING
9..	575 927001....	1 ....	DECAL, BATTERY WARNING	20..	539 110279....	1 ....	DECAL, ECM
10..	539 108385....	1 ....	DECAL, DO NOT TOW				
11..	539 977778....	2 ....	PAD, ABRASIVE				



