

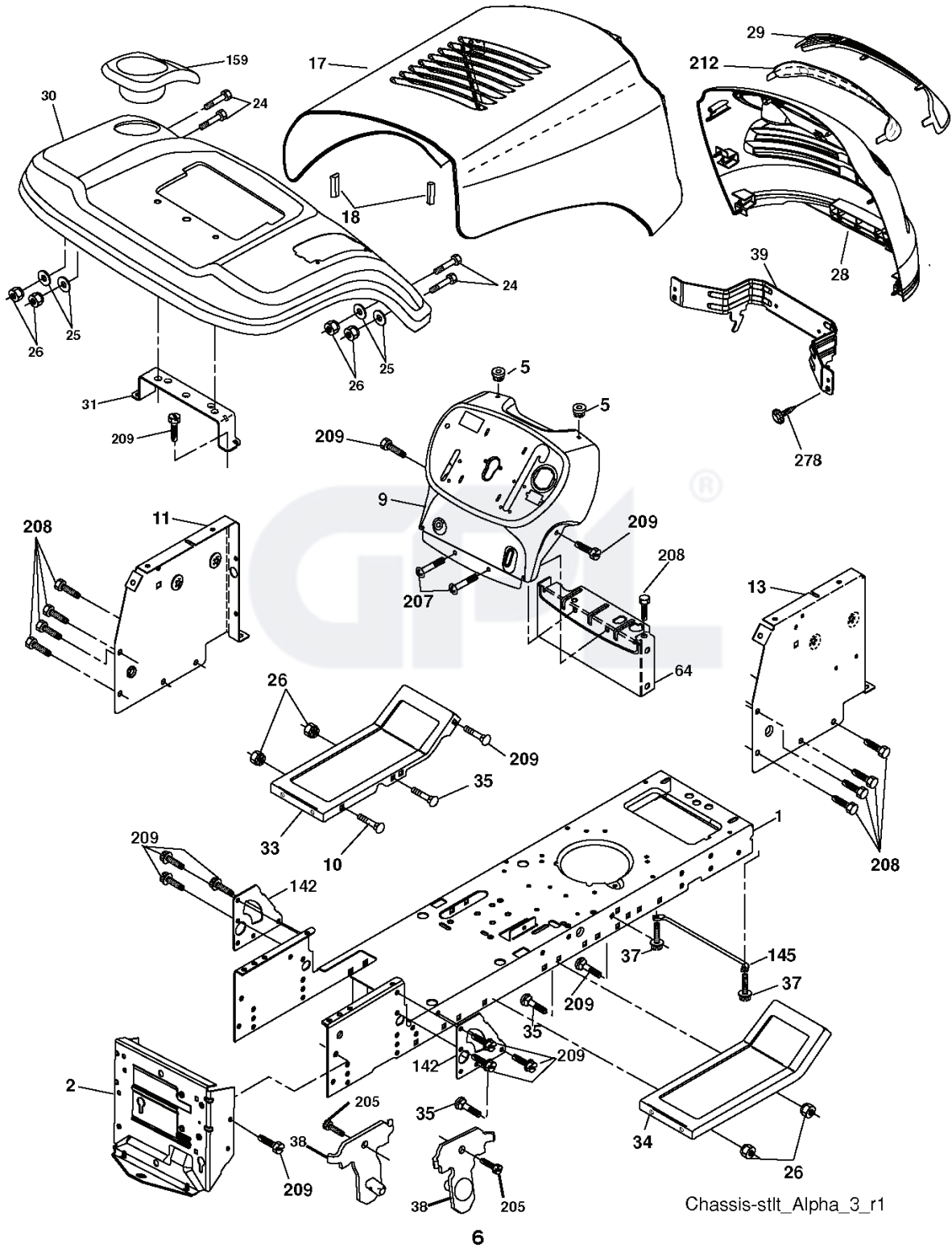
MC13538LT, 96012010300, 2010-06



---

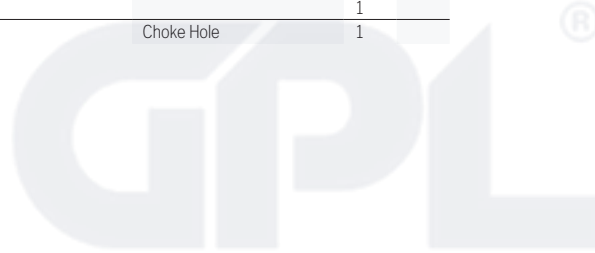
**SPARE PARTS LIST**

**TRACTOR -- MODEL NUMBER MC13538LT (96012010300), PRODUCT NO. 960 12 01-03  
CHASSIS AND ENCLOSURES**

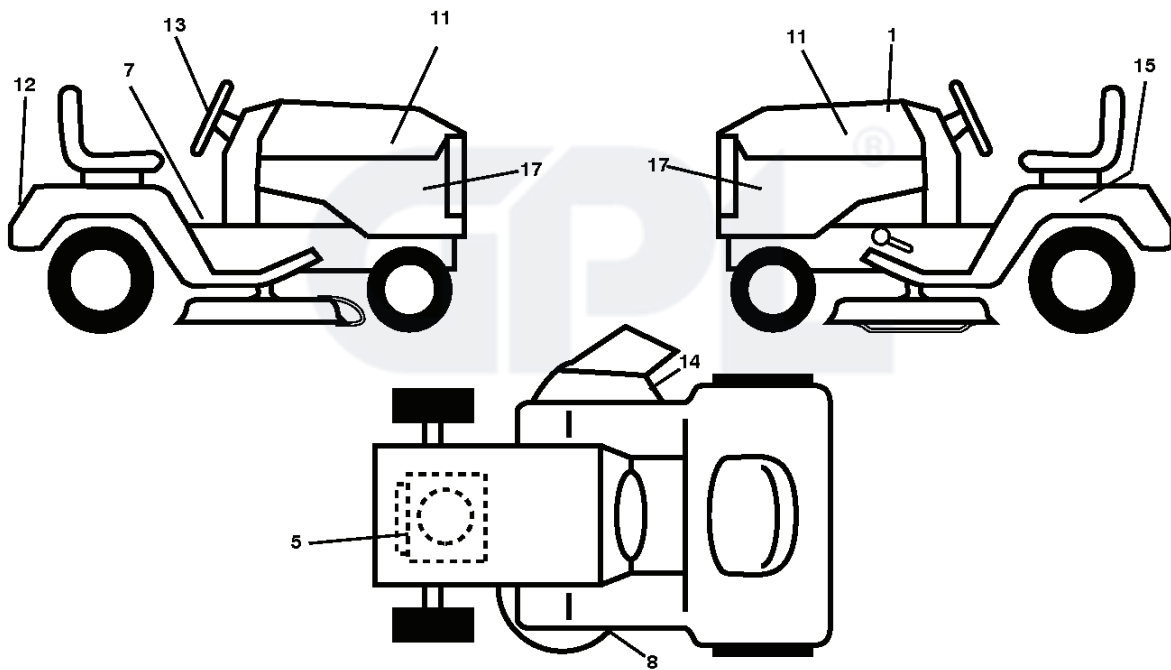


Chassis-stlt\_Alpha\_3\_r1

| REF. | PART NO.  | DESCRIPTION                 | REMARK     | QTY. | KIT |
|------|-----------|-----------------------------|------------|------|-----|
| 1    | 532174619 | FRAME                       |            | 1    |     |
| 2    | 532176554 | PLATE                       |            | 1    |     |
| 5    | 532155272 | DAMPER                      |            | 1    |     |
| 9    | 532433353 | DASH                        |            | 1    |     |
| 10   | 872140608 | BOLT                        |            | 1    |     |
| 11   | 532174996 | DASHBOARD                   | LH         | 1    |     |
| 13   | 532181719 | DASHBOARD                   | RH         | 1    |     |
| 17   | 532406179 | HOOD                        |            | 1    |     |
| 18   | 532184921 | BUMPER                      |            | 1    |     |
| 24   | 874780616 | BOLT                        |            | 1    |     |
| 25   | 819131312 | WASHER                      |            | 1    |     |
| 26   | 873800600 | NUT                         |            | 1    |     |
| 28   | 532426741 | GRILLE                      |            | 1    |     |
| 29   | 532195402 | LENTIL*RPL.PAR 532187567599 |            | 1    |     |
| 30   | 532194589 | FENDER                      |            | 1    |     |
| 31   | 532136619 | ROD                         |            | 1    |     |
| 33   | 532179716 | FOOTREST                    | LH         | 1    |     |
| 34   | 532179717 | FOOTREST                    | RH         | 1    |     |
| 35   | 872110606 | BOLT                        |            | 1    |     |
| 37   | 817490508 | SCREW                       |            | 1    |     |
| 38   | 532175710 | BRACKET                     |            | 1    |     |
| 39   | 532187568 | BRACKET                     |            | 1    |     |
| 64   | 532154798 | PANEL                       |            | 1    |     |
| 142  | 532175702 | PLATE                       |            | 1    |     |
| 145  | 532409167 | ROD                         |            | 1    |     |
| 159  | 532185635 | HOLDER                      |            | 1    |     |
| 205  | 817490608 | SCREW                       |            | 1    |     |
| 207  | 817670508 | SCREW                       |            | 1    |     |
| 208  | 817670608 | SCREW                       |            | 1    |     |
| 209  | 817000612 | SCREW                       |            | 1    |     |
| 212  | 532187569 | REFLECTOR                   |            | 1    |     |
| 278  | 532416358 | SCREW                       |            | 1    |     |
|      | 532005479 | PLUG                        |            | 1    |     |
|      | 532187801 | PLUG                        | Choke Hole | 1    |     |



**TRACTOR - - MODEL NUMBER MC13538LT (96012010300), PRODUCT NO. 960 12 01-03  
DECALS**



---

| REF. | PART NO.  | DESCRIPTION          | REMARK | QTY. | KIT |
|------|-----------|----------------------|--------|------|-----|
| 1    | 532405121 | DECAL                |        | 1    |     |
| 5    | 532408810 | DECAL                |        | 1    |     |
| 7    | 532411658 | DECAL                |        | 1    |     |
| 8    | 532194302 | DECALC.SHEMA MONTAGE |        | 1    |     |
| 11   | 532431221 | DECAL                | RH/LH  | 1    |     |
| 12   | 532432658 | DECAL                |        | 1    |     |
| 13   | 532424236 | DECAL                |        | 1    |     |
| 14   | 532170563 | DECALC."DANGER"      |        | 1    |     |
| 15   | 532145005 | DECAL                |        | 1    |     |
| 17   | 532433571 | DECAL                |        | 1    |     |
|      | 532138311 | DECAL                |        | 1    |     |
|      | 532181090 | PLATE                | RH     | 1    |     |
|      | 532181091 | PLATE                | LH     | 1    |     |

GPL®



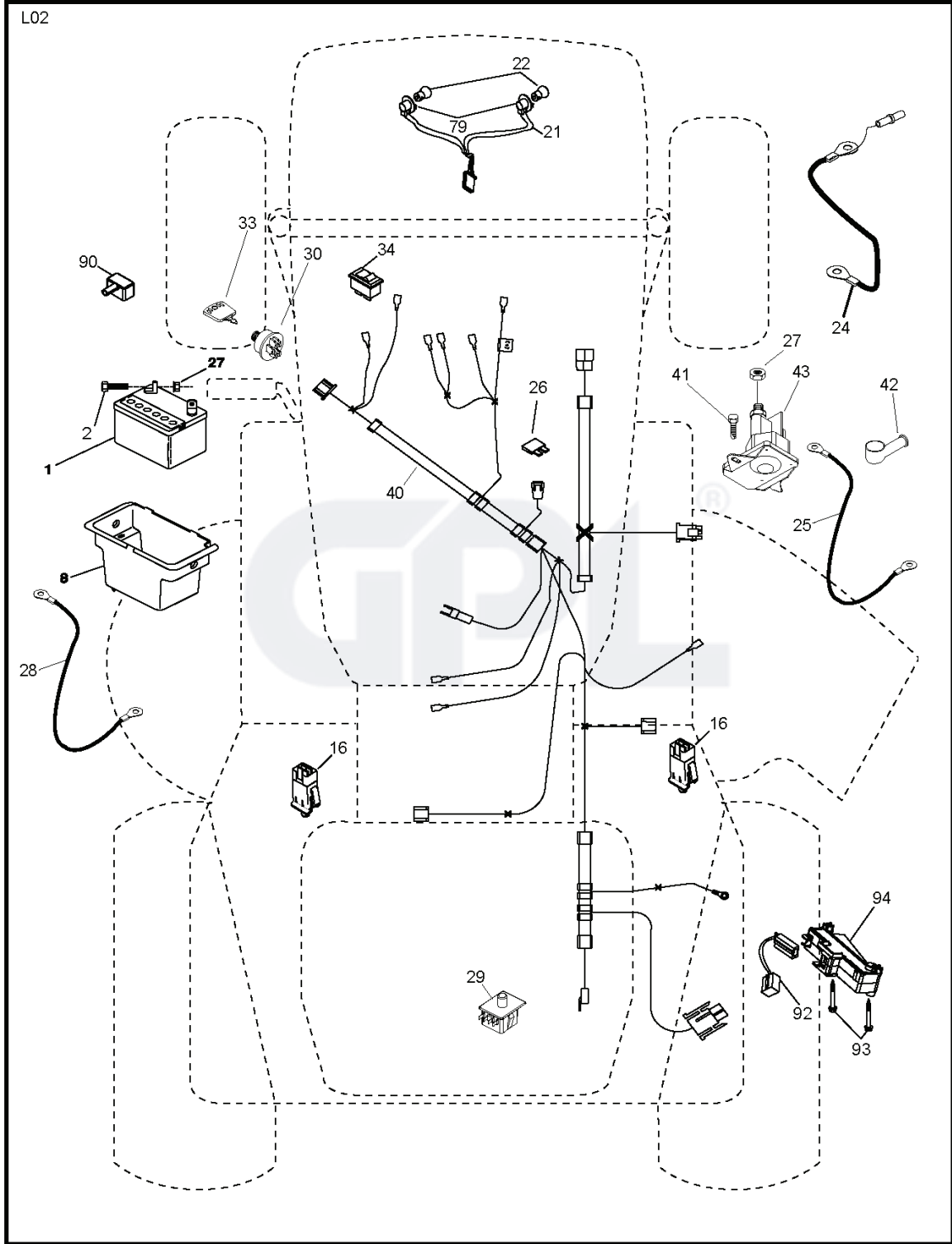
| REF. | PART NO.  | DESCRIPTION            | REMARK                      | QTY. | KIT |
|------|-----------|------------------------|-----------------------------|------|-----|
| 1    | 000000000 | W/O DESCRIPTION        | Transaxle Peerless 205-545C | 1    |     |
| 2    | 532146682 | SPRING                 |                             | 1    |     |
| 3    | 532123666 | PULLEY                 |                             | 1    |     |
| 4    | 812000028 | CLIP                   |                             | 1    |     |
| 5    | 532121520 | BRACKET                |                             | 1    |     |
| 6    | 817060512 | SCREW                  |                             | 1    |     |
| 8    | 532192706 | LEVER                  |                             | 1    |     |
| 10   | 876020416 | SPLIT PIN              |                             | 1    |     |
| 11   | 532105701 | WASHER                 |                             | 1    |     |
| 13   | 874550412 | BOLT                   |                             | 1    |     |
| 14   | 810040400 | WASHER                 |                             | 1    |     |
| 15   | 874490544 | SCREW                  |                             | 1    |     |
| 16   | 873800500 | LOCK NUT               |                             | 1    |     |
| 18   | 874780616 | BOLT                   |                             | 1    |     |
| 19   | 873800600 | NUT                    |                             | 1    |     |
| 21   | 532106933 | KNOB                   |                             | 1    |     |
| 22   | 532130804 | ROD                    |                             | 1    |     |
| 24   | 873350600 | NUT                    |                             | 1    |     |
| 25   | 532106888 | SPRING                 |                             | 1    |     |
| 26   | 819131316 | WASHER                 |                             | 1    |     |
| 27   | 876020412 | SPLIT PIN              |                             | 1    |     |
| 28   | 532175765 | SHAFT                  |                             | 1    |     |
| 29   | 532071673 | COVER                  |                             | 1    |     |
| 30   | 532174973 | BRACKET                |                             | 1    |     |
| 32   | 874760512 | BOLT                   |                             | 1    |     |
| 34   | 532175578 | SHAFT                  |                             | 1    |     |
| 35   | 532120183 | BEARING                |                             | 1    |     |
| 36   | 819211616 | WASHER                 |                             | 1    |     |
| 37   | 532124963 | PIN RETAINING SCREW    |                             | 1    |     |
| 38   | 532179114 | PULLEY                 |                             | 1    |     |
| 39   | 872110622 | BOLT                   |                             | 1    |     |
| 41   | 532175556 | BELT GUIDE             |                             | 1    |     |
| 47   | 532127783 | PULLEY                 |                             | 1    |     |
| 48   | 532154407 | GUIDE                  |                             | 1    |     |
| 49   | 532123205 | BELT GUIDE             |                             | 1    |     |
| 50   | 872110612 | BOLT                   |                             | 1    |     |
| 51   | 873680600 | NUT                    |                             | 1    |     |
| 52   | 873680500 | NUT                    |                             | 1    |     |
| 53   | 532199652 | TIGE DE TENSION POULIE |                             | 1    |     |
| 55   | 532105709 | SPRING                 |                             | 1    |     |
| 56   | 817060620 | SCREW                  |                             | 1    |     |
| 57   | 532138255 | BELT                   |                             | 1    |     |
| 62   | 532124872 | PEDAL RUBBER           |                             | 1    |     |
| 63   | 532175410 | PULLEY                 |                             | 1    |     |
| 64   | 532173937 | BOLT                   |                             | 1    |     |
| 65   | 810040700 | WASHER                 |                             | 1    |     |
| 66   | 532154778 | TENSIONER              |                             | 1    |     |
| 69   | 532142432 | SCREW                  |                             | 1    |     |
| 70   | 532134683 | BELT GUIDE             |                             | 1    |     |
| 74   | 532137057 | SPACER                 |                             | 1    |     |
| 75   | 532121749 | WASHER                 |                             | 1    |     |
| 76   | 812000001 | RETAINER RING          |                             | 1    |     |
| 77   | 532123583 | KEY                    |                             | 1    |     |
| 78   | 532121748 | WASHER                 |                             | 1    |     |
| 79   | 532125096 | WOODRUFF KEY           |                             | 1    |     |
| 80   | 532131486 | ROD                    |                             | 1    |     |
| 81   | 532165594 | SHAFT                  |                             | 1    |     |
| 82   | 532165711 | SPRING                 |                             | 1    |     |
| 83   | 819171216 | WASHER                 |                             | 1    |     |
| 84   | 532166228 | LINK                   |                             | 1    |     |
| 85   | 532150360 | NUT                    |                             | 1    |     |
| 89   | 532194971 | CONSOLE SHIFT LT       |                             | 1    |     |
| 96   | 532124788 | RETAINER RING          |                             | 1    |     |
| 112  | 819091210 | WASHER                 |                             | 1    |     |
| 113  | 532127285 | BRACKET                |                             | 1    |     |
| 116  | 872140608 | BOLT                   |                             | 1    |     |
| 120  | 873900600 | NUT                    |                             | 1    |     |
| 150  | 532175456 | SPACER                 |                             | 1    |     |
| 151  | 819133210 | WASHER                 |                             | 1    |     |
| 156  | 532166002 | WASHER                 |                             | 1    |     |
| 158  | 532165589 | BRACKET                |                             | 1    |     |
| 159  | 532183900 | LEVER                  |                             | 1    |     |
| 161  | 872140406 | BOLT                   |                             | 1    |     |
| 162  | 873680400 | NUT                    |                             | 1    |     |
| 163  | 874780416 | BOLT                   |                             | 1    |     |
| 165  | 532165623 | BRACKET                |                             | 1    |     |
| 166  | 817490510 | SCREW                  |                             | 1    |     |

---

| REF. | PART NO.  | DESCRIPTION | REMARK | QTY. | KIT |
|------|-----------|-------------|--------|------|-----|
| 168  | 532165492 | BOLT        |        | 1    |     |
| 169  | 532165580 | RETAINER    |        | 1    |     |
| 170  | 532187414 | KEEPER      |        | 1    |     |
| 197  | 532169613 | SLEEVE      |        | 1    |     |
| 198  | 532169845 | WASHER      |        | 1    |     |
| 202  | 872110614 | BOLT        |        | 1    |     |

GPL®

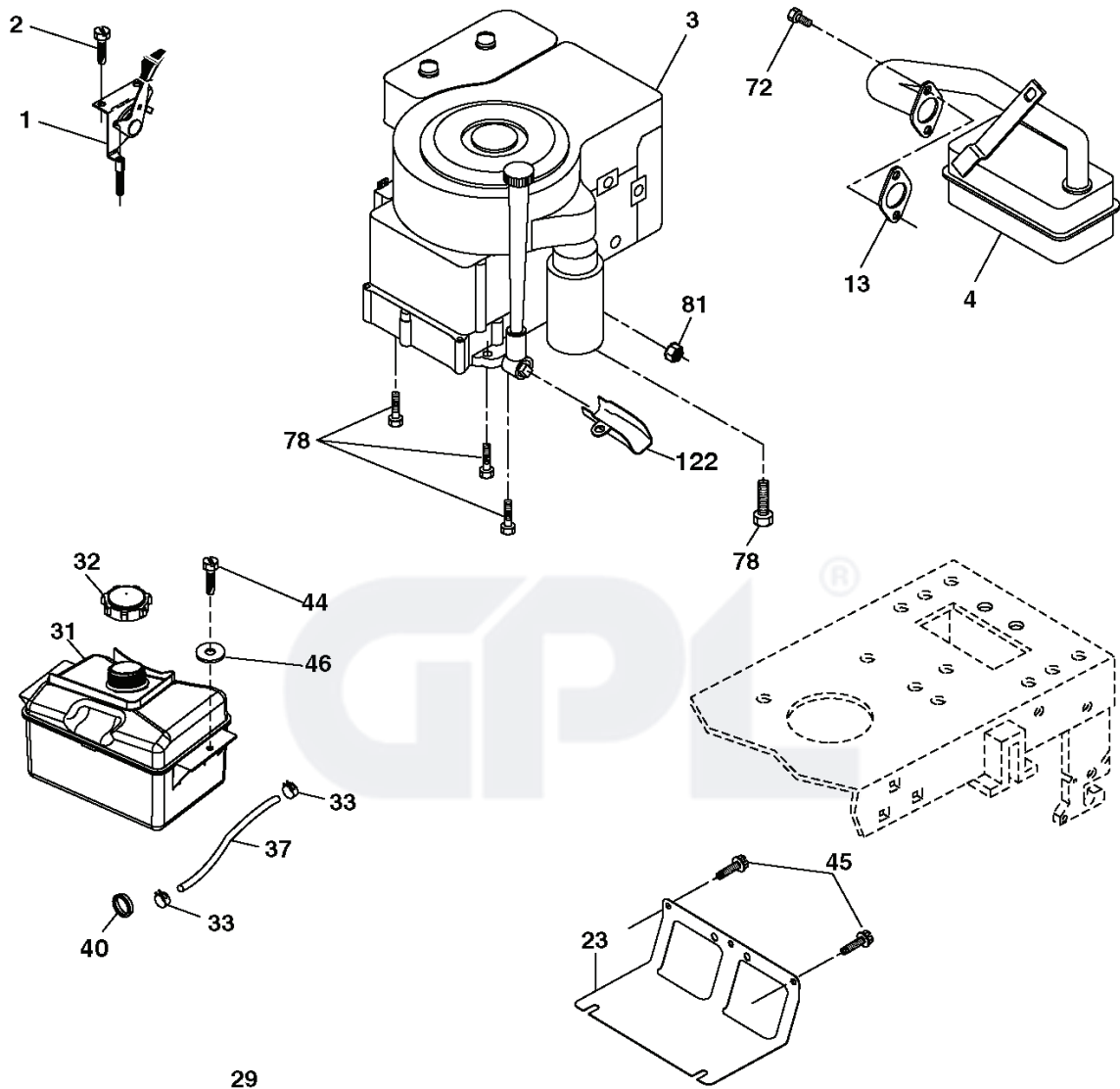
TRACTOR -- MODEL NUMBER MC13538LT (96012010300), PRODUCT NO. 960 12 01-03  
ELECTRICAL



| REF. | PART NO.  | DESCRIPTION            | REMARK | QTY. | KIT |
|------|-----------|------------------------|--------|------|-----|
| 1    | 532163465 | BATTERY                |        | 1    |     |
| 2    | 874760412 | BOLT                   |        | 1    |     |
| 8    | 532176689 | BATTERY BOX            |        | 1    |     |
| 16   | 532176138 | MICRO SWITCH           |        | 1    |     |
| 21   | 532175688 | HARNESS                |        | 1    |     |
| 22   | 532004152 | BULB                   |        | 1    |     |
| 24   | 532421299 | CABLE                  |        | 1    |     |
| 25   | 532421297 | CABLE                  |        | 1    |     |
| 26   | 532175158 | FUSE                   |        | 1    |     |
| 28   | 532421298 | CABLE                  |        | 1    |     |
| 27   | 873510400 | NUT                    |        | 1    |     |
| 29   | 532192749 | SWITCH SEAT DP W/RAMPS |        | 1    |     |
| 30   | 532193350 | IGNITION MODULE        |        | 1    |     |
| 33   | 532411935 | KEY                    |        | 1    |     |
| 34   | 532110712 | SWITCH                 |        | 1    |     |
| 40   | 532197428 | CABLE ASSY             |        | 1    |     |
| 43   | 532192507 | SOLENOID               |        | 1    |     |
| 41   | 871110408 | BOLT                   |        | 1    |     |
| 42   | 532131563 | COVER                  |        | 1    |     |
| 79   | 532175242 | HOLDER                 |        | 1    |     |
| 90   | 532180449 | COVER                  |        | 1    |     |
| 92   | 532196615 | CABLE ASSY             |        | 1    |     |
| 93   | 532192540 | SCREW                  |        | 1    |     |
| 94   | 532191834 | MODULE REVERSE ROS     |        | 1    |     |



TRACTOR -- MODEL NUMBER MC13538LT (96012010300), PRODUCT NO. 960 12 01-03  
ENGINE



29  
**OPTIONAL EQUIPMENT**  
**Spark Arrester**

engine-stlt\_bs\_16

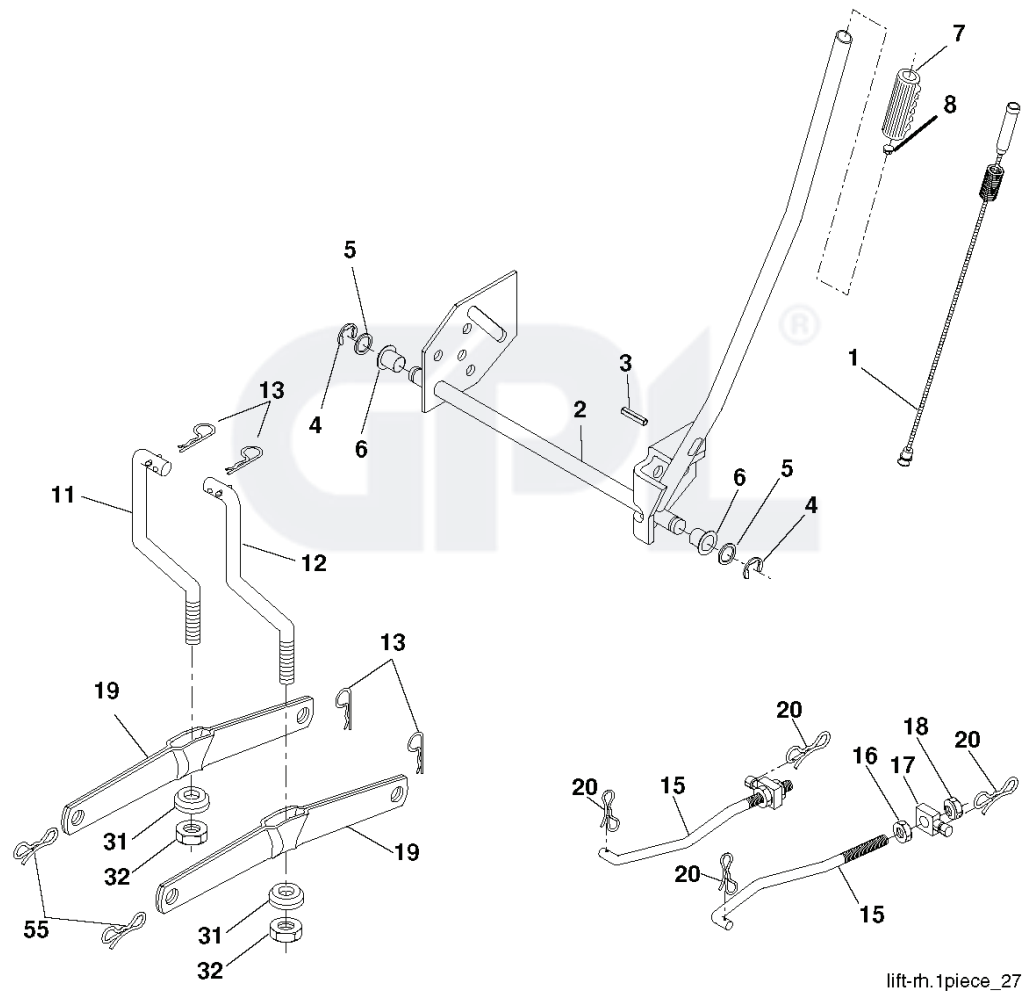
| REF. | PART NO.  | DESCRIPTION        | REMARK   | QTY. | KIT |
|------|-----------|--------------------|--|------|-----|
| 1    | 532170551 | THROTTLE CONTROL   |  | 1    |     |
| 2    | 817720408 | SCREW              |  | 1    |     |
| 3    | 000000000 | W/O DESCRIPTION    | Engine Briggs & Stratton<br>Model 21B807-1169-B1 | 1    |     |
| 4    | 532179758 | MUFFLER            |  | 1    |     |
| 13   | 532165291 | GASKET             |  | 1    |     |
| 23   | 532169837 | HEAT SHIELD        |  | 1    |     |
| 29   | 532137180 | SPARK ARRESTER KIT |  | 1    |     |
| 31   | 532407545 | FUEL TANK          |  | 1    |     |
| 32   | 532430220 | FUEL CAP           |  | 1    |     |
| 33   | 532123487 | HOSE CLAMP         |  | 1    |     |
| 37   | 532401137 | DURITE ESSENCE 20" |  | 1    |     |
| 40   | 532124028 | BUSHING            |  | 1    |     |
| 44   | 817670412 | SCREW              |  | 1    |     |
| 45   | 817000612 | SCREW              |  | 1    |     |
| 46   | 819091416 | WASHER             |  | 1    |     |
| 72   | 532192334 | SCREW              |  | 1    |     |
| 78   | 817060620 | SCREW              |  | 1    |     |
| 81   | 873510400 | NUT                |  | 1    |     |
| 122  | 532421922 | EXTENSION PIPE     |  | 1    |     |





| REF. | PART NO.  | DESCRIPTION                  | REMARK   | QTY. | KIT |
|------|-----------|------------------------------|--|------|-----|
| 1    | 532192556 | DECK SHELL                   |  | 1    |     |
| 2    | 872140506 | BOLT                         |  | 1    |     |
| 3    | 532138017 | BRACKE                       |  | 1    |     |
| 4    | 532192568 | SUPPORT CARTER ARRIERE       |  | 1    |     |
| 5    | 532124670 | RETAINER RING                |  | 1    |     |
| 6    | 532178024 | LEVER                        |  | 1    |     |
| 7    | 873800500 | LOCK NUT                     |  | 1    |     |
| 8    | 532193003 | SCREW                        |  | 1    |     |
| 11   | 532193957 | RIDE ON BLADE                |  | 1    |     |
| 13   | 532192872 | SHAFT ASSY                   |  | 1    |     |
| 14   | 532187281 | BEARING HOUSING              |  | 1    |     |
| 15   | 532110485 | BEARING                      |  | 1    |     |
| 18   | 872140505 | BOLT                         |  | 1    |     |
| 19   | 532132827 | SPEC. BOLT                   |  | 1    |     |
| 20   | 532400095 | BAFFLE                       |  | 1    |     |
| 21   | 873680500 | NUT                          |  | 1    |     |
| 23   | 532192557 | HINGE                        |  | 1    |     |
| 24   | 532105304 | HUB CAP                      |  | 1    |     |
| 25   | 532197026 | TORSION SPRING               |  | 1    |     |
| 26   | 532110452 | NUT                          |  | 1    |     |
| 27   | 532193968 | DEFLECTOR                    |  | 1    |     |
| 29   | 532131491 | SHAFT                        |  | 1    |     |
| 30   | 532173984 | SCREW                        |  | 1    |     |
| 31   | 532187690 | WASHER                       |  | 1    |     |
| 32   | 532153532 | PULLEY                       |  | 1    |     |
| 33   | 532400234 | NUT                          |  | 1    |     |
| 36   | 532131494 | PULLEY                       |  | 1    |     |
| 37   | 532193198 | PULLEY                       |  | 1    |     |
| 40   | 873680600 | NUT                          |  | 1    |     |
| 45   | 532124788 | RETAINER RING                |  | 1    |     |
| 55   | 532133840 | LEVER                        |  | 1    |     |
| 56   | 532165723 | SPACER                       |  | 1    |     |
| 67   | 532106932 | KNOB                         |  | 1    |     |
| 68   | 532193214 | BELT                         |  | 1    |     |
| 72   | 532193216 | RESSORT RETOUR FREIN DE LAME |  | 1    |     |
| 89   | 819131311 | WASHER                       |  | 1    |     |
| 107  | 532133502 | SPACER                       |  | 1    |     |
| 108  | 532133503 | LEVER                        |  | 1    |     |
| 122  | 532410189 | ROD                          | LH   | 1    |     |
| 123  | 532410190 | ROD                          | RH   | 1    |     |
| 144  | 532193414 | BELT GUIDE                   |  | 1    |     |
| 148  | 532169022 | SPRING                       |  | 1    |     |
| 149  | 532165898 | SPRING                       |  | 1    |     |
| 150  | 819091210 | WASHER                       |  | 1    |     |
| 152  | 532193235 | CABLE                        |  | 1    |     |
| 158  | 817720408 | SCREW                        |  | 1    |     |
| 185  | 532188234 | CABLE                        |  | 1    |     |
| 186  | 817490644 | SCREW                        |  | 1    |     |
| 187  | 532193412 | BELT GUIDE                   |  | 1    |     |
| 188  | 532165891 | BOLT                         |  | 1    |     |
| 189  | 532192559 | SUPPORT BRAS DE FREIN        |  | 1    |     |
| 190  | 532192560 | ARM                          |  | 1    |     |
| 191  | 532192561 | SPACER                       |  | 1    |     |
| 193  | 532193413 | BELT GUIDE                   |  | 1    |     |
| 194  | 532194105 | GARDE DE FREIN DE LAME       |  | 1    |     |
| 195  | 819133210 | WASHER                       |  | 1    |     |
| 208  | 817670608 | SCREW                        |  | 1    |     |
| 214  | 532193782 | BOLT                         |  | 1    |     |
|      | 532192558 | FREIN DE LAME CPT.           | "Brake Assembly (Includes Stand, Arm and Guard Components) "   | 1    |     |
|      | 532192870 | SPINDLE                      | "Mandrel Assembly (Includes housing, shaft assembly, and bearing - only - pulley/nut/ washer and blade bolt/ washers not included) " | 1    |     |
|      | 532432648 | CUTTING DECK                 |  | 1    |     |

TRACTOR -- MODEL NUMBER MC13538LT (96012010300), PRODUCT NO. 960 12 01-03  
MOWER LIFT



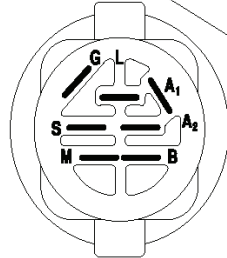
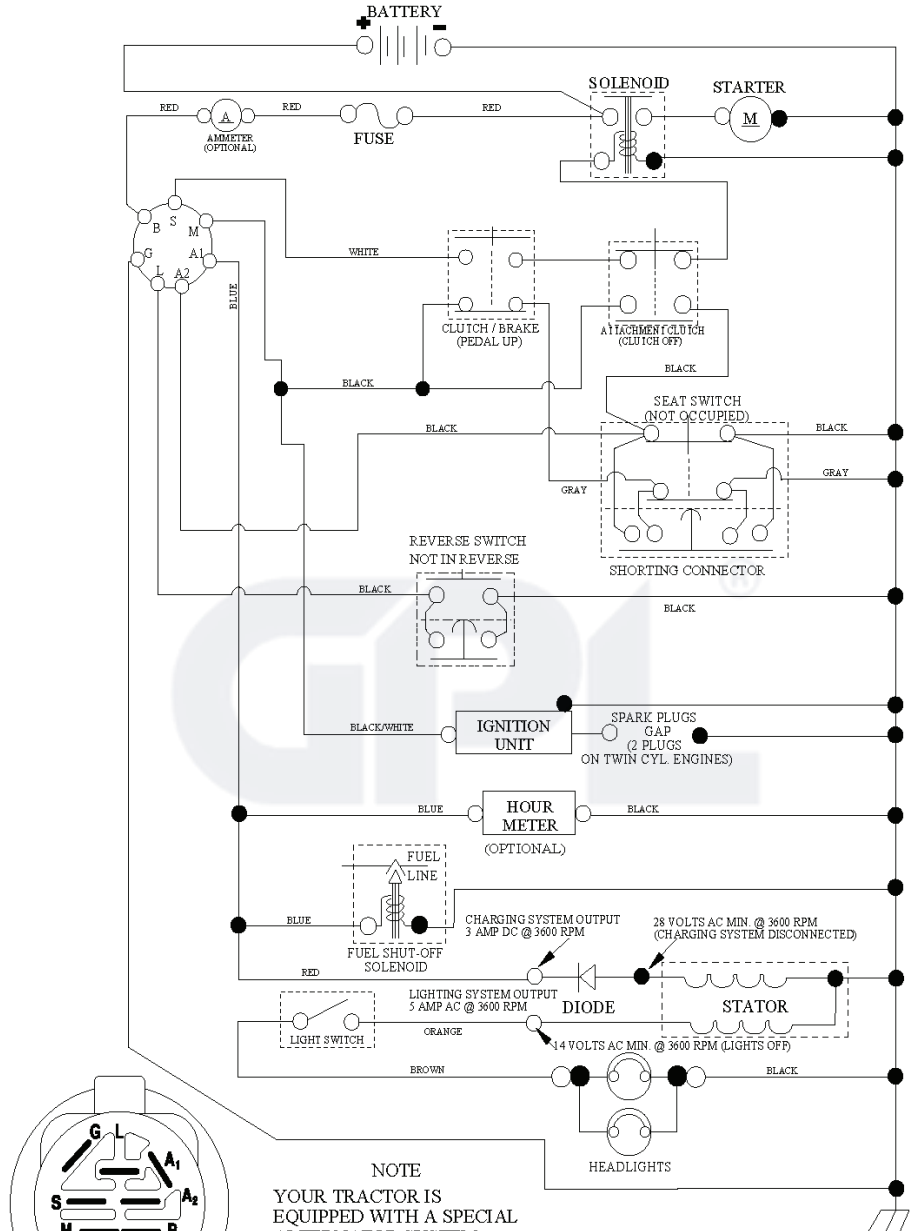
lift-rh.1piece\_27

| REF. | PART NO.  | DESCRIPTION         | REMARK | QTY. | KIT |
|------|-----------|---------------------|--------|------|-----|
| 1    | 532404981 | PLUNGE              |        | 1    |     |
| 2    | 532159471 | LEVER               | RH     | 1    |     |
| 3    | 532105767 | PIN RETAINING SCREW |        | 1    |     |
| 4    | 812000002 | RETAINER RING       |        | 1    |     |
| 5    | 819211621 | WASHER              |        | 1    |     |
| 6    | 532120183 | BEARING             |        | 1    |     |
| 7    | 532125631 | HANDLE              |        | 1    |     |
| 8    | 532124526 | KNOB                |        | 1    |     |
| 11   | 532139865 | LINK                |        | 1    |     |
| 12   | 532139866 | LINK                |        | 1    |     |
| 13   | 532124670 | RETAINER RING       |        | 1    |     |
| 15   | 532173288 | LINK                |        | 1    |     |
| 16   | 873350800 | NUT                 |        | 1    |     |
| 17   | 532175689 | BRACKET             |        | 1    |     |
| 18   | 873800800 | NUT                 |        | 1    |     |
| 19   | 532139868 | LEVER               |        | 1    |     |
| 20   | 532194209 | SPRING              |        | 1    |     |
| 31   | 532169865 | BEARING             |        | 1    |     |
| 32   | 873540600 | NUT                 |        | 1    |     |
| 55   | 532194208 | PIN                 |        | 1    |     |



# TRACTOR -- MODEL NUMBER MC13538LT (96012010300), PRODUCT NO. 960 12 01-03 SCHEMATIC

SCH03



IGNITION SWITCH

| POSITION     | CIRCUIT | "MAKE" |
|--------------|---------|--------|
| OFF          | M+G+A1  |        |
| RUN/OVERRIDE | B+A1    |        |
| RUN          | B+A1    | L+A2   |
| START        | B+S+A1  |        |

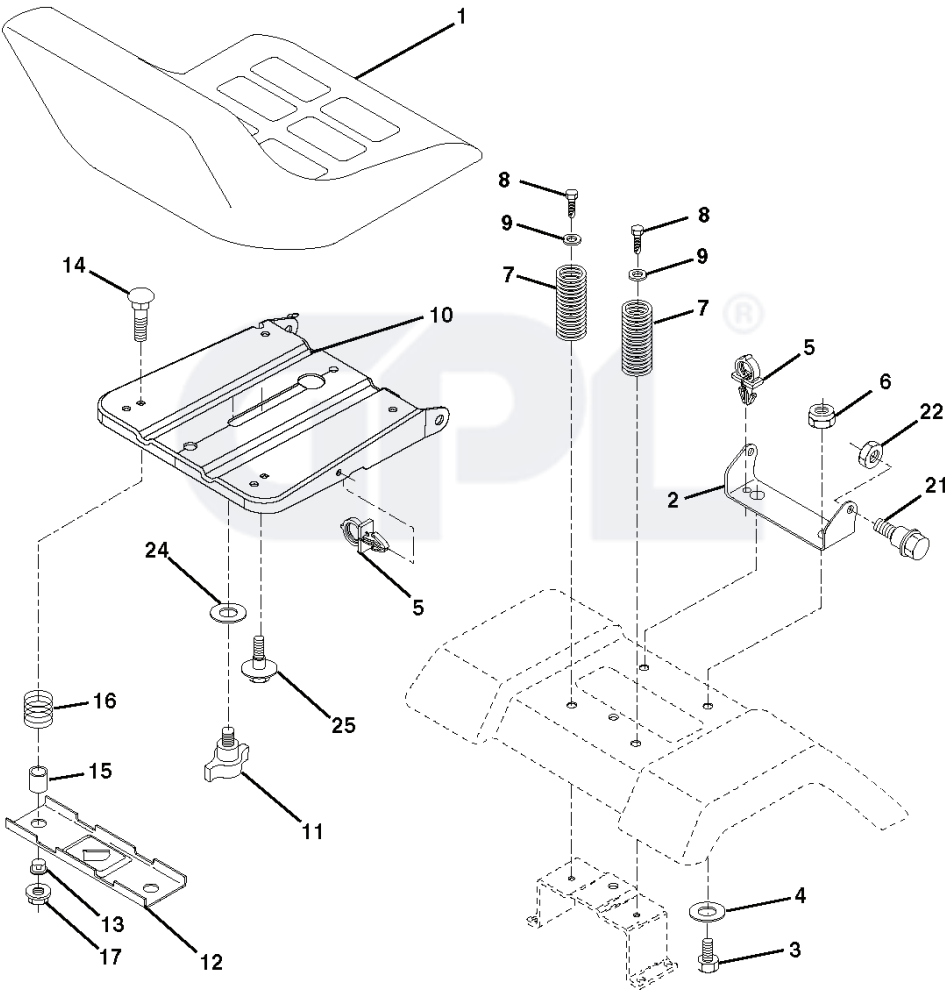
**NOTE**  
YOUR TRACTOR IS EQUIPPED WITH A SPECIAL ALTERNATOR SYSTEM. THE LIGHTS ARE NOT CONNECTED TO THE BATTERY, BUT HAVE THEIR OWN ELECTRICAL SOURCE. BECAUSE OF THIS, THE BRIGHTNESS OF THE LIGHTS WILL CHANGE WITH ENGINE SPEED. AT IDLE THE LIGHTS WILL DIM. AS THE ENGINE IS SPEEDED UP, THE LIGHTS WILL BECOME THEIR BRIGHTEST.

● NON-REMOVABLE CONNECTIONS  
○ REMOVABLE CONNECTIONS

WIRING INSULATED CLIPS  
NOTE: IF WIRING INSULATED CLIPS WERE REMOVED FOR SERVICING OF UNIT, THEY SHOULD BE RE-INSTALLED TO PROPERLY SECURE YOUR WIRING.



TRACTOR - - MODEL NUMBER MC13538LT (96012010300), PRODUCT NO. 960 12 01-03  
SEAT

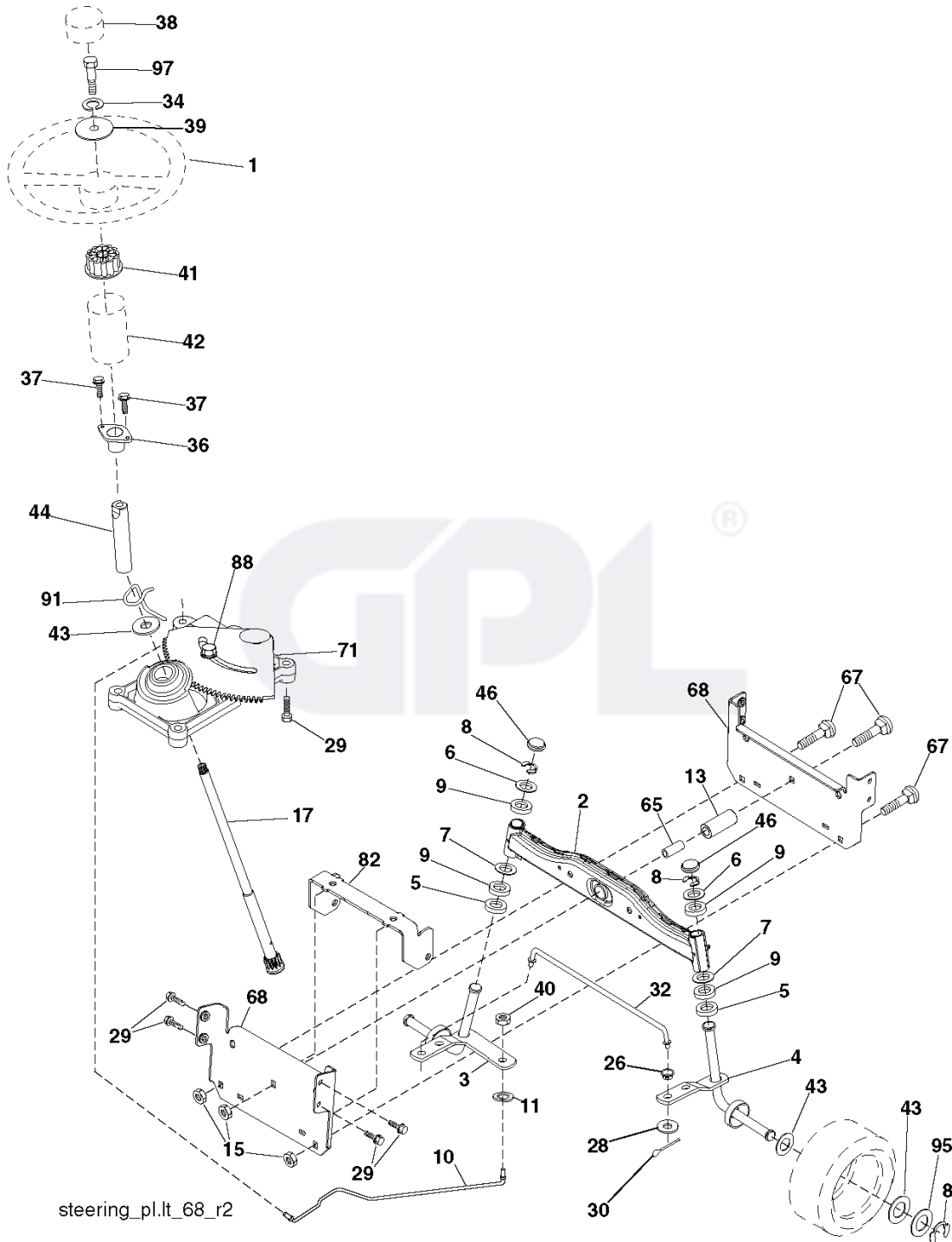


seat-stlt\_knob\_1

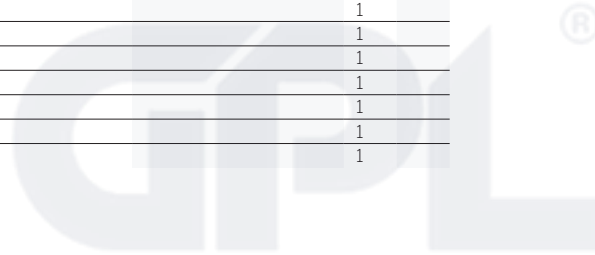
| REF. | PART NO.  | DESCRIPTION                  | REMARK | QTY. | KIT |
|------|-----------|------------------------------|--------|------|-----|
| 1    | 532424035 | SEAT.XG091.BLK.NO/LOGOSUBS/2 |        | 1    |     |
| 2    | 532140551 | BRACKET                      |        | 1    |     |
| 3    | 871110616 | SCREW                        |        | 1    |     |
| 4    | 819131610 | WASHER                       |        | 1    |     |
| 5    | 532145006 | CLIP                         |        | 1    |     |
| 6    | 873800600 | NUT                          |        | 1    |     |
| 7    | 532124181 | SPRING                       |        | 1    |     |
| 8    | 817000616 | SCREW                        |        | 1    |     |
| 9    | 819131614 | WASHER                       |        | 1    |     |
| 10   | 532195530 | BERCEAU DE SIEGE CONDUCTEUR  | BLK    | 1    |     |
| 11   | 532166369 | WING NUT                     |        | 1    |     |
| 12   | 532174648 | BRACKET                      |        | 1    |     |
| 13   | 532121248 | BUSHING                      |        | 1    |     |
| 14   | 872050412 | BOLT                         |        | 1    |     |
| 15   | 532134300 | SPACER                       |        | 1    |     |
| 16   | 532121250 | SPRING                       |        | 1    |     |
| 17   | 532123976 | LOCKNUT                      |        | 1    |     |
| 21   | 532171852 | BOLT                         |        | 1    |     |
| 22   | 873800500 | LOCK NUT                     |        | 1    |     |
| 24   | 819171912 | WASHER                       |        | 1    |     |
| 25   | 532127018 | BOLT                         |        | 1    |     |



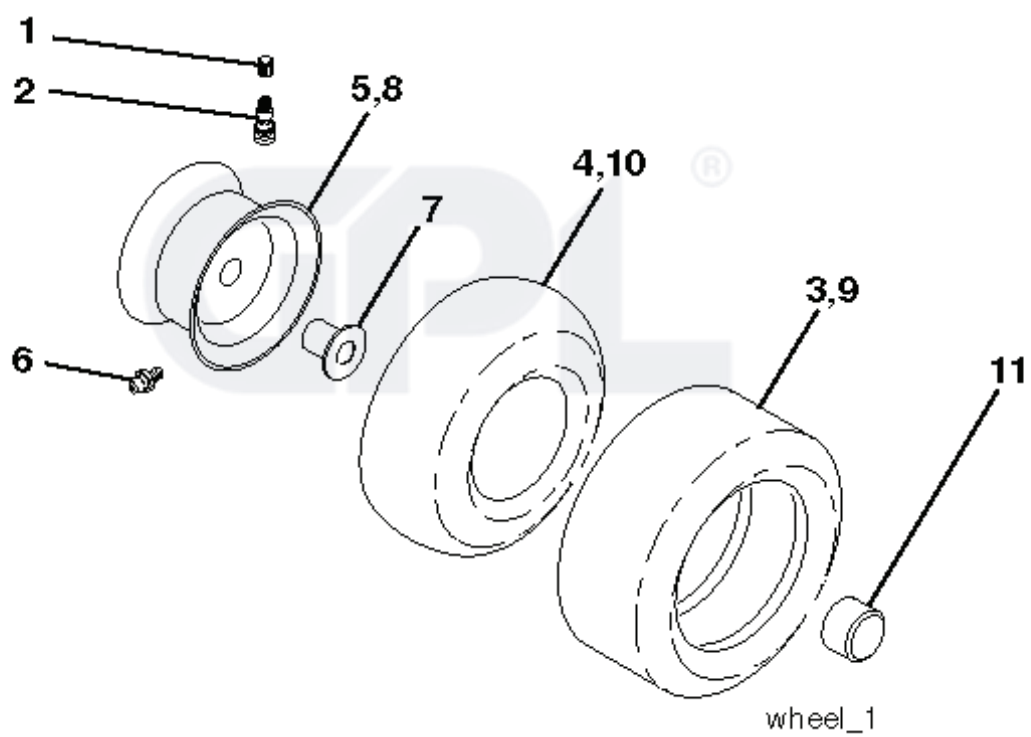
TRACTOR -- MODEL NUMBER MC13538LT (96012010300), PRODUCT NO. 960 12 01-03  
STEERING



| REF. | PART NO.  | DESCRIPTION          | REMARK | QTY. | KIT |
|------|-----------|----------------------|--------|------|-----|
| 1    | 532424543 | STEERING WHEEL       |        | 1    |     |
| 2    | 532418168 | AXLE                 |        | 1    |     |
| 3    | 532169840 | SPINDLE              | LH     | 1    |     |
| 4    | 532169839 | SPINDLE              | RH     | 1    |     |
| 5    | 532124931 | WASHER               |        | 1    |     |
| 6    | 532121748 | WASHER               |        | 1    |     |
| 7    | 819272016 | WASHER               |        | 1    |     |
| 8    | 812000029 | RETAINER RING        |        | 1    |     |
| 9    | 532124937 | BEARING COL. STRG.   |        | 1    |     |
| 10   | 532175121 | ROD                  |        | 1    |     |
| 11   | 810040600 | WASHER               |        | 1    |     |
| 13   | 532136518 | PIPE                 |        | 1    |     |
| 15   | 532145212 | NUT                  |        | 1    |     |
| 17   | 532411386 | SHAFT                |        | 1    |     |
| 26   | 532126847 | BUSHING              |        | 1    |     |
| 28   | 819131416 | WASHER               |        | 1    |     |
| 29   | 817000612 | SCREW                |        | 1    |     |
| 30   | 876020412 | SPLIT PIN            |        | 1    |     |
| 32   | 532192757 | TIGE D'ASSEMBLAGE    |        | 1    |     |
| 34   | 810040500 | WASHER               |        | 1    |     |
| 36   | 532155099 | BUSHING              |        | 1    |     |
| 37   | 532152927 | SCREW                |        | 1    |     |
| 38   | 532424691 | INSERT               |        | 1    |     |
| 39   | 819113812 | WASHER               |        | 1    |     |
| 40   | 873540600 | NUT                  |        | 1    |     |
| 41   | 532186737 | ADAPTER              |        | 1    |     |
| 42   | 532169633 | SLEEVE               |        | 1    |     |
| 43   | 532121749 | WASHER               |        | 1    |     |
| 44   | 532190752 | SHAFT                |        | 1    |     |
| 46   | 532121232 | HUB CAP              |        | 1    |     |
| 65   | 532414736 | SPACER               |        | 1    |     |
| 67   | 872110618 | BOLT                 |        | 1    |     |
| 68   | 532169827 | SHAFT                |        | 1    |     |
| 71   | 532175146 | STEERING GEAR        |        | 1    |     |
| 82   | 532199978 | SUPPORT ESSIEU AVANT |        | 1    |     |
| 88   | 532175118 | BOLT                 |        | 1    |     |
| 91   | 532175553 | SPRING               |        | 1    |     |
| 95   | 532188967 | WASHER               |        | 1    |     |
| 97   | 532428982 | BOLT                 |        | 1    |     |



## WHEELS & TIRES



| REF. | PART NO.  | DESCRIPTION  | REMARK            | QTY. | KIT |
|------|-----------|--------------|-------------------|------|-----|
| 1    | 532059192 | CAP VALVE    |                   | 1    |     |
| 2    | 532065139 | NIPPLE       |                   | 1    |     |
| 3    | 532106222 | TIRE         |                   | 1    |     |
| 4    | 532059904 | HOSE         | Service Item Only | 1    |     |
| 5    | 532125121 | RIM          |                   | 1    |     |
| 6    | 532124957 | FITTING      | Front wheel only  | 1    |     |
| 7    | 532124959 | BEARING      | Front wheel only  | 1    |     |
| 8    | 532125122 | RIM          |                   | 1    |     |
| 9    | 532420531 | TIRE         |                   | 1    |     |
| 10   | 532124926 | HOSE         | Service Item Only | 1    |     |
| 11   | 532193268 | HUB CAP      |                   | 1    |     |
|      | 532144334 | SEALING FOAM | 10 oz. Tube       | 1    |     |
|      | PART NO.  |              | REMARK            |      | KIT |

