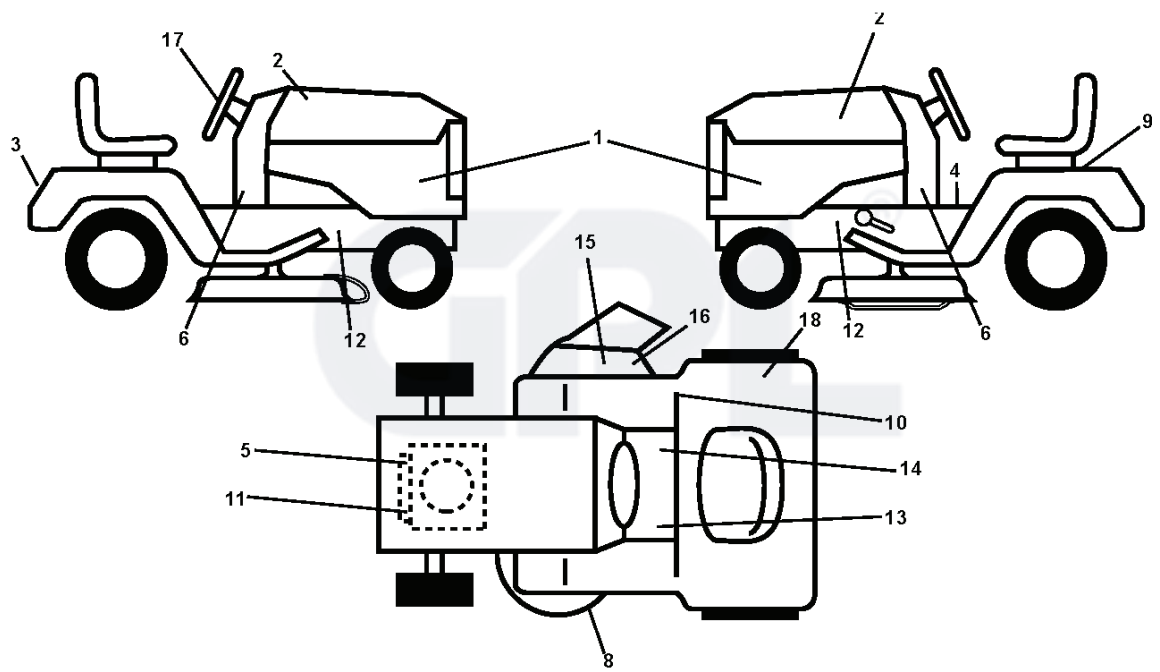


M16538H, 96041011700, 2010-03



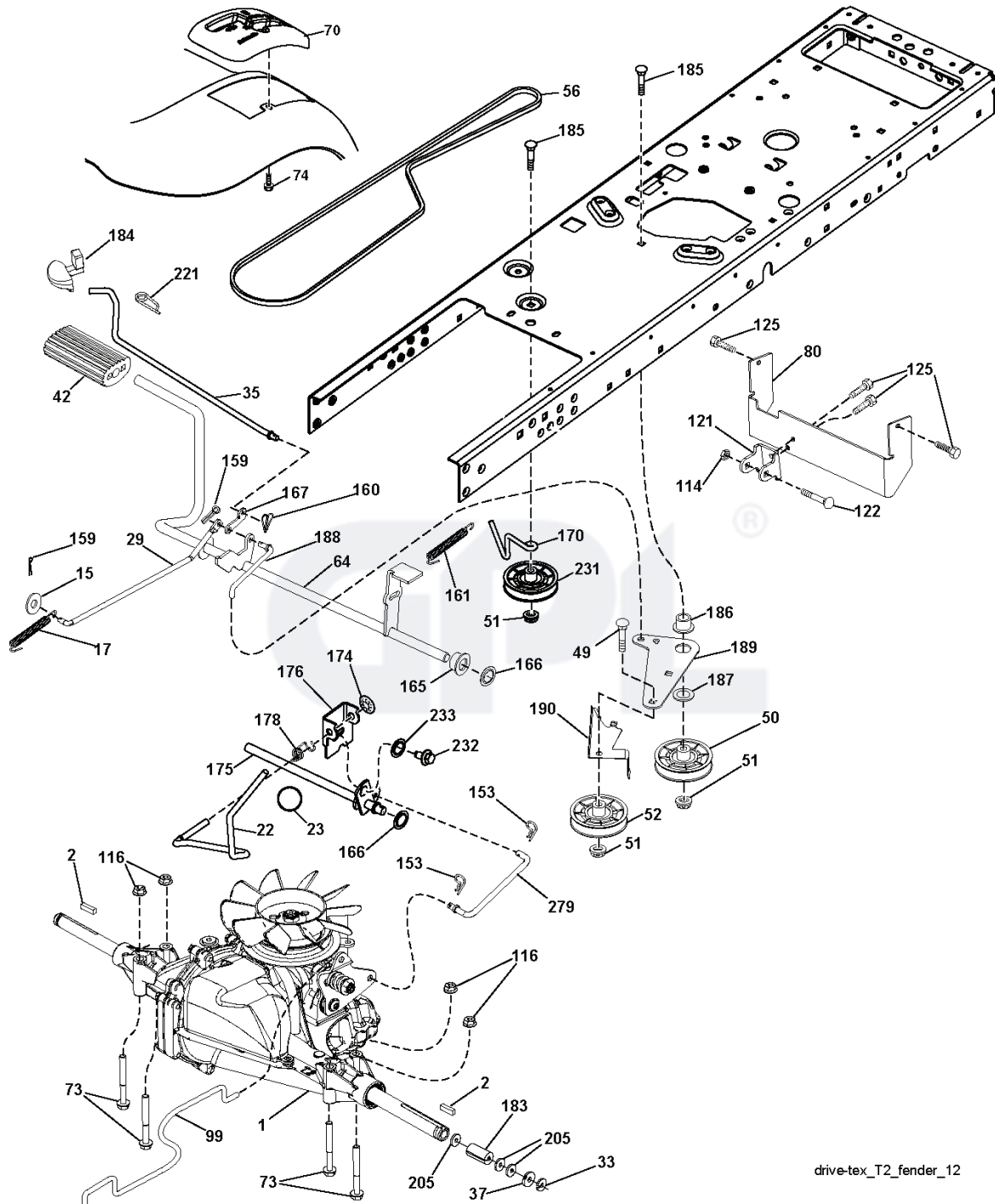
---

**SPARE PARTS LIST**

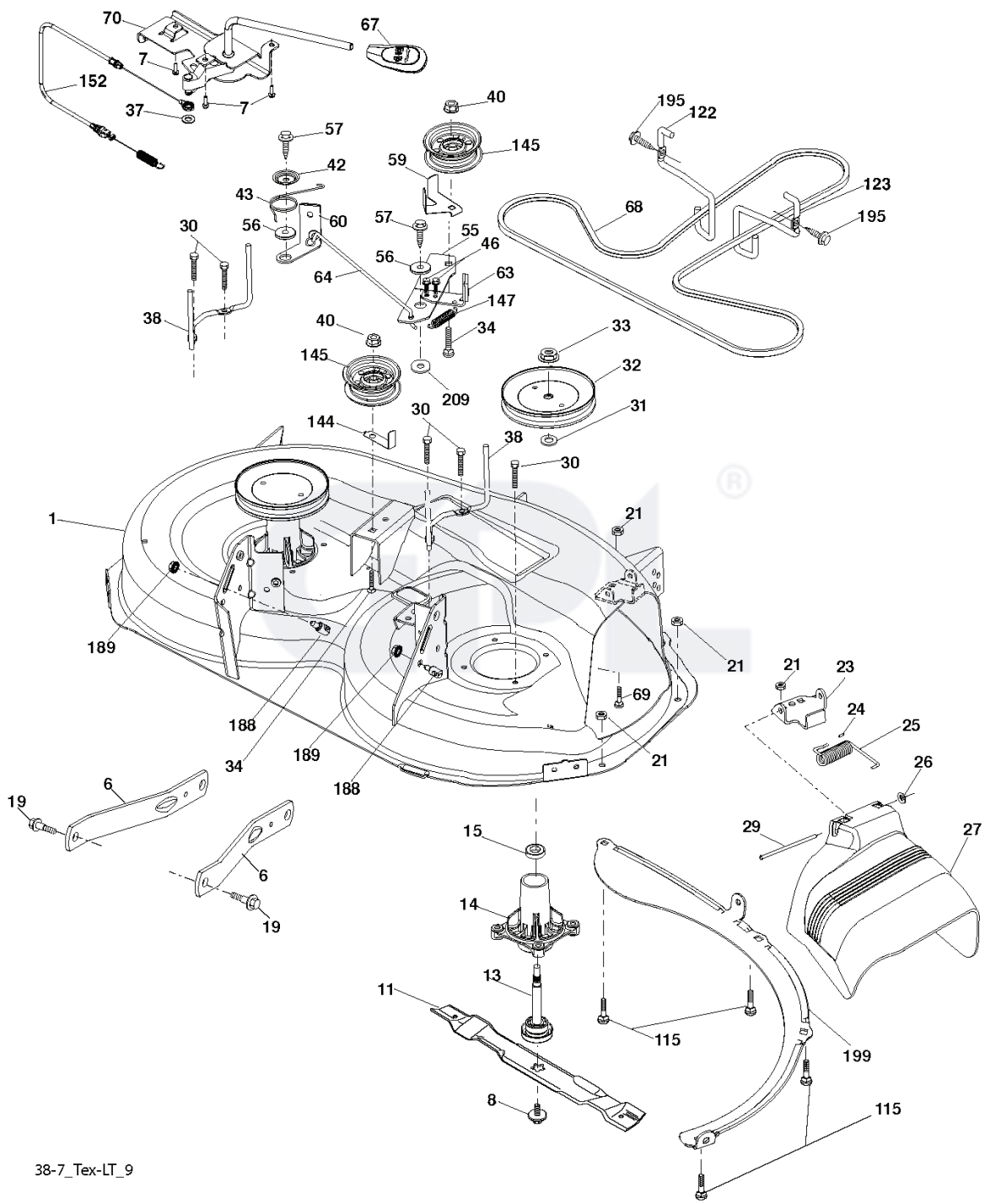


REF.	PART NO.	DESCRIPTION	REMARK	QTY.	KIT
1	532424253	DECAL		1	
2	532431171	DECAL		1	
3	532424254	DECAL		1	
4	532400389	LABEL		1	
5	532408818	DECAL		1	
6	532185651	DECAL		1	
8	532194302	DECALC.SHEMA MONTAGE		1	
9	532145005	DECAL		1	
10	532124433	DECAL		1	
11	532196841	DECAL		1	
12	532159736	DECAL		1	
13	532159737	DECAL		1	
14	532140837	DECAL		1	
15	532182166	DECAL		1	
16	532196357	DECALC."DANGER DEFLECTEUR"		1	
17	532424236	DECAL		1	
18	532168869	DECAL		1	
--	532166960	DECAL		1	
--	532162598	DECAL		1	
--	532409505	PAD		1	
--	532411273	PAD		1	
--				1	



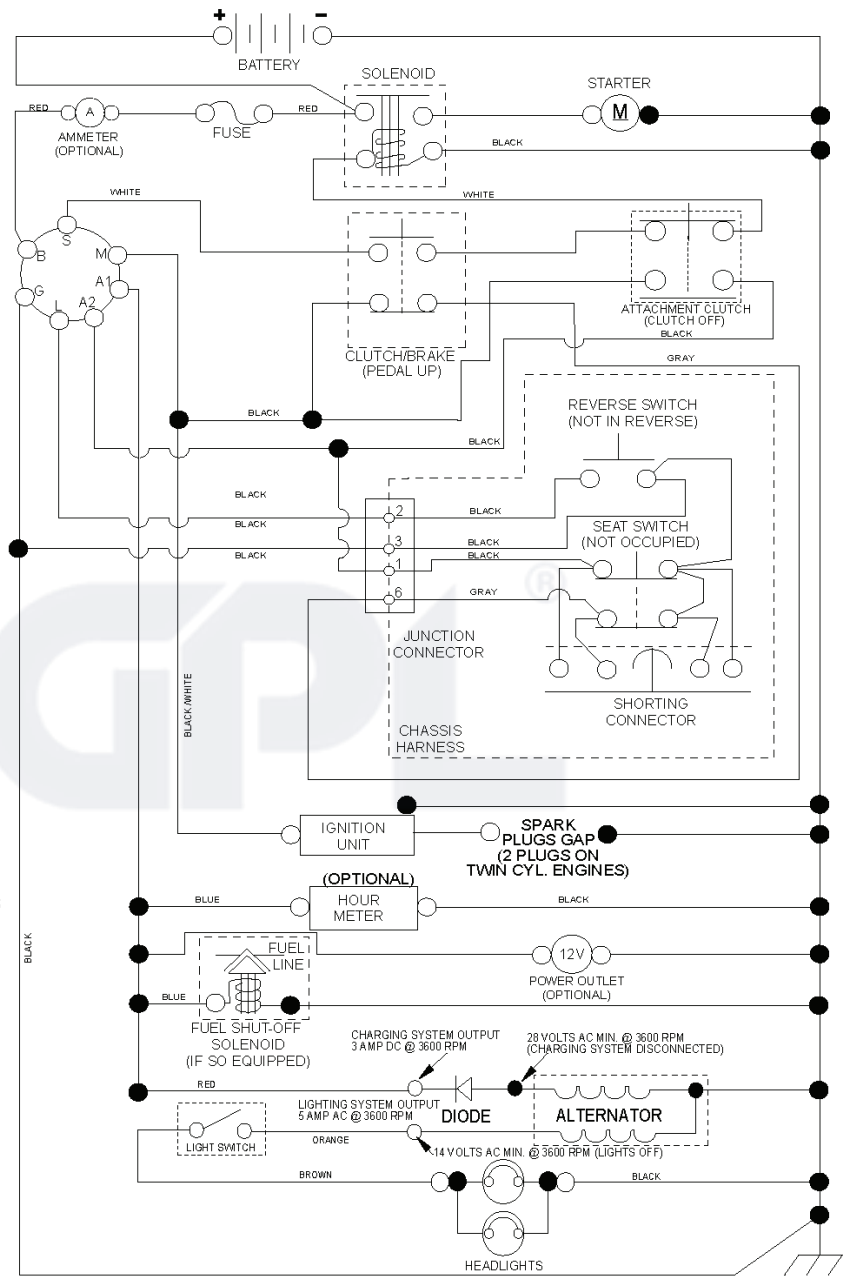


REF.	PART NO.	DESCRIPTION	REMARK	QTY.	KIT
1				1	
2	532123583	KEY		1	
15	819131316	WASHER		1	
17	532197296	SPRING		1	
22	532197660	ROD		1	
23	532171674	KNOB		1	
29	532408391	ROD		1	
33	812000001	RETAINER RING		1	
35	532197722	ROD		1	
37	532121749	WASHER		1	
42	532124872	PEDAL RUBBER		1	
49	872110614	BOLT		1	
50	532194327	PULLEY		1	
51	873900600	NUT		1	
52	532194326	PULLEY		1	
56	532125907	BELT		1	
64	532196200	SHAFT		1	
70	532411329	CONSOLE		1	
73	874490544	SCREW		1	
74	532142432	SCREW		1	
80	532408393	STRAP.TORQUE.FS.T2	*SUBS/2*	1	
99	532408418	ROD		1	
114	873800500	LOCK NUT		1	
116	873900500	NUT		1	
121	532175611	CHAPPE DE FIXATION		1	
122	872010520	BOLT		1	
125	817000512	SCREW		1	
153	532124788	RETAINER RING		1	
159	876020412	SPLIT PIN		1	
160	532169484	PIN		1	
161	532105709	SPRING		1	
165	532196212	BUSHING		1	
166	532197290	NUT		1	
167	532405257	LATCH		1	
170	532413430	BELT GUIDE		1	
174	532197289	NUT		1	
175	532408539	SHAFT		1	
176	532196214	ARM		1	
178	532197456	SPRING		1	
183	532156972	SPACER		1	
184	532411289	KNOB		1	
185	872110622	BOLT		1	
186	532194321	SPACER		1	
187	819133210	WASHER		1	
188	532194323	LINK		1	
189	532194317	PLATE		1	
190	532194318	BELT GUIDE		1	
205	532121748	WASHER		1	
221	532403187	SPRING		1	
231	532407287	PULLEY		1	
232	874780716	BOLT		1	
233	532405296	WASHER		1	
279	532408538	LINK.SHIFT.T2.TEX	*SUBS/2*	1	

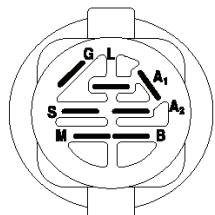


38-7\_Tex-LT\_9

REF.	PART NO.	DESCRIPTION	REMARK	QTY.	KIT
1	532194251	HOUSING		1	
6	532195186	ARM		1	
7	532416358	SCREW		1	
8	532193003	SCREW		1	
11	532138497	BLADE		1	
13	532192872	SHAFT ASSY		1	
14	532187281	BEARING HOUSING		1	
15	532110485	BEARING		1	
19	532196539	BOLT		1	
21	873680500	NUT		1	
23	532192557	HINGE		1	
24	532105304	HUB CAP		1	
25	532197026	TORSION SPRING		1	
26	532110452	NUT		1	
27	532401472	DEFLECTOR		1	
29	532131491	SHAFT		1	
30	532173984	SCREW		1	
31	532187690	WASHER		1	
32	532199789	PULLEY		1	
33	532400234	NUT		1	
34	872110612	BOLT		1	
37	819131316	WASHER		1	
38	532199541	BELT GUIDE		1	
40	873900600	NUT		1	
42	532198410	SPRING		1	
43	532197256	SPRING		1	
46	532137729	SCREW		1	
55	532197249	ARM		1	
56	532199092	SPACER		1	
57	817000616	SCREW		1	
59	532141043	GUARD		1	
60	532199471	ARM		1	
63	532199470	ARM		1	
64	532199790	LINK		1	
67	532409792	HANDLE		1	
68	532408381	BELT		1	
69	872140505	BOLT		1	
70	532198332	CLUTCH		1	
115	872110505	BOLT		1	
122	532197258	BELT GUIDE		1	
123	532197259	BELT GUIDE		1	
144	532193414	BELT GUIDE		1	
145	532193197	PULLEY		1	
147	532401872	SPRING		1	
152	532408714	CABLE		1	
188	532195161	STUD		1	
189	873900500	NUT		1	
195	817000612	SCREW		1	
199	532400095	BAFFLE		1	
209	819133210	WASHER		1	
--	532192870	SPINDLE		1	
--	532422891	CUTTING DECK		1	

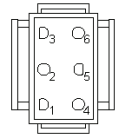


**NOTE**  
 YOUR TRACTOR IS EQUIPPED WITH A SPECIAL ALTERNATOR SYSTEM. THE LIGHTS ARE NOT CONNECTED TO THE BATTERY, BUT HAVE THEIR OWN ELECTRICAL SOURCE. BECAUSE OF THIS, THE BRIGHTNESS OF THE LIGHTS WILL CHANGE WITH ENGINE SPEED. AT IDLE THE LIGHTS WILL DIM. AS THE ENGINE IS SPEEDED UP, THE LIGHTS WILL BECOME THEIR BRIGHTEST.

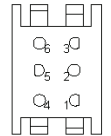


IGNITION SWITCH

POSITION	CIRCUIT	"MAKE"
OFF	M+G+A1	
RUN/OVERRIDE	B+A1	
RUN	B+A1	L+A2
START	B + S + A1	



CHASSIS HARNESS CONNECTOR (MATING SIDE)



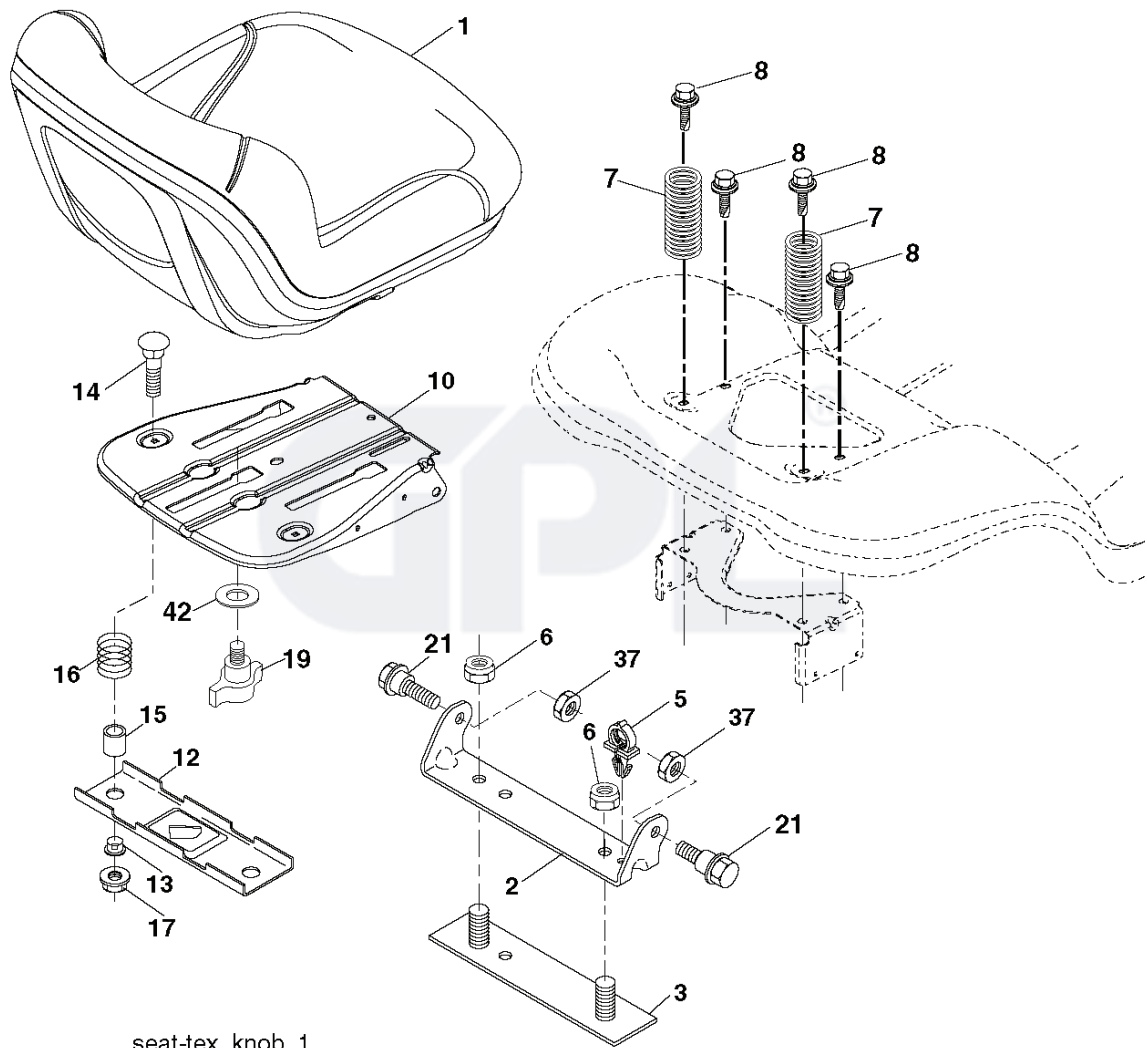
DASH HARNESS CONNECTOR (MATING SIDE)

**WIRING INSULATED CLIPS**  
 NOTE: IF WIRING INSULATED CLIPS WERE REMOVED FOR SERVICING OF UNIT, THEY SHOULD BE RE-INSTALLED TO PROPERLY SECURE YOUR WIRING.

NON-REMOVABLE CONNECTIONS

REMOVABLE CONNECTIONS





seat-tex\_knob\_1

---

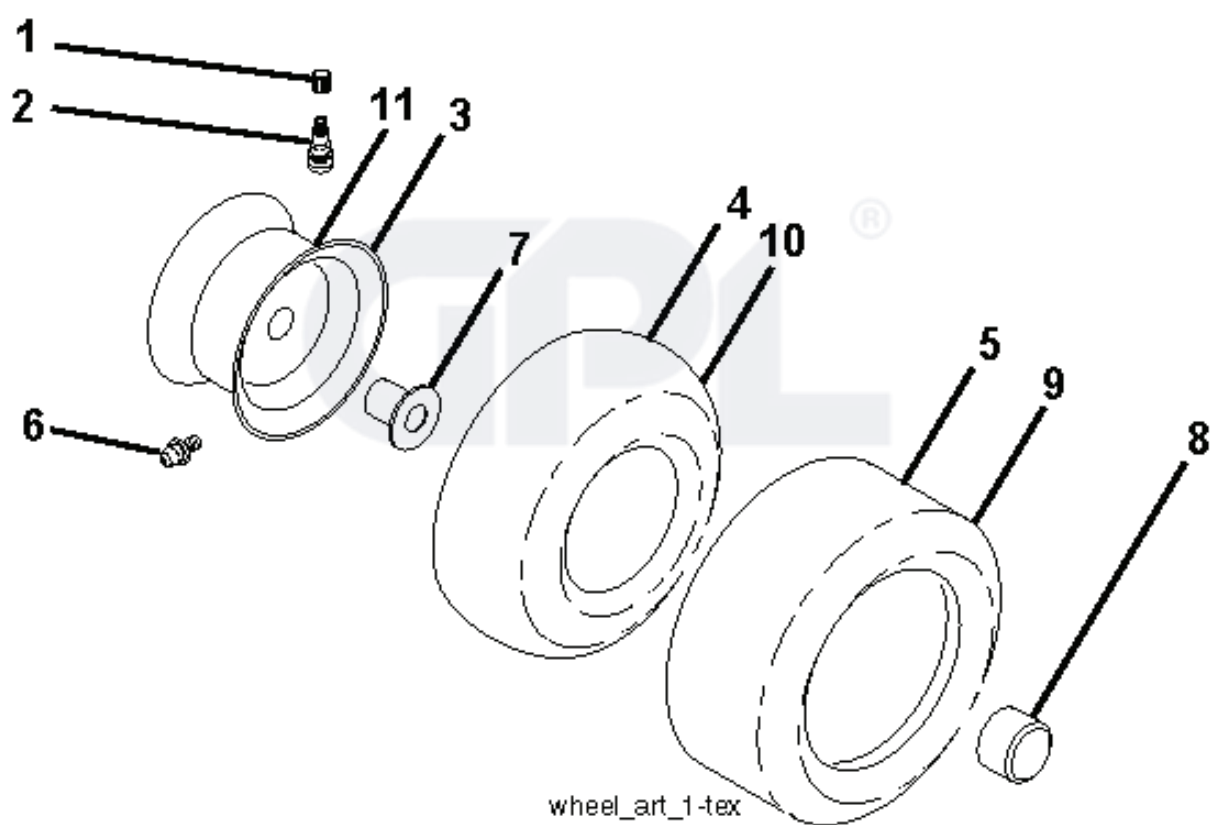
REF.	PART NO.	DESCRIPTION	REMARK	QTY.	KIT
1	532411405	SEAT		1	
2	532180166	BRACKET		1	
3	532140675	STRAP		1	
5	532145006	CLIP		1	
6	873800600	NUT		1	
7	532124181	SPRING		1	
8	532171877	BOLT		1	
10	532199180	PLATE		1	
12	532199370	BRACKET		1	
13	532121248	BUSHING		1	
14	872050412	BOLT		1	
15	532134300	SPACER		1	
16	532123740	SPRING		1	
17	532123976	LOCKNUT		1	
19	532199372	KNOB		1	
21	532171852	BOLT		1	
37	873800500	LOCK NUT		1	
42	532199371	WASHER		1	





REF.	PART NO.	DESCRIPTION	REMARK	QTY.	KIT
1	532424551	STEERING WHEEL		1	
2	532418168	AXLE		1	
4	532403087	SPINDLE		1	
5	532403088	SPINDLE		1	
6	532124931	WASHER		1	
7	532121748	WASHER		1	
8	812000029	RETAINER RING		1	
9	532121232	HUB CAP		1	
13	532121749	WASHER		1	
14	810040600	WASHER		1	
15	873540600	NUT		1	
16	532196074	SHAFT		1	
19	532194729	PLATE		1	
20	532411291	STEERING COLUMN		1	
21	532186737	ADAPTER		1	
22	532194845	BUSHING		1	
26	532424553	INSERT		1	
28	817000612	SCREW		1	
33	810040500	WASHER		1	
35	532194732	PLATE		1	
45	819113812	WASHER		1	
50	873900600	NUT		1	
53	532188967	WASHER		1	
54	874760636	BOLT		1	
55	532414736	SPACER		1	
57	532407465	BRACKET		1	
58	532194747	BOLT		1	
59	532194748	WASHER		1	
60	873971000	NUT		1	
61	532194740	LINK		1	
62	532194741	LINK		1	
63	817000512	SCREW		1	
64	532199849	SPRING RETAINER		1	
65	532194734	BRACKET		1	
66	871020748	BOLT		1	
67	532194737	BUSHING		1	
68	873900700	NUT		1	
69	532199162	WASHER		1	
70	532196197	BRACKET		1	
71	532196075	SHAFT		1	
72	874780572	BOLT		1	
74	532124937	BEARING COL. STRG.		1	
78	532057079	WASHER		1	

## WHEELS AND TIRES



---

REF.	PART NO.	DESCRIPTION	REMARK	QTY.	KIT
1	532059192	CAP VALVE		1	
2	532065139	NIPPLE		1	
3	532125121	RIM	Front 6"	1	
4	532059904	HOSE	Front (Service Item Only)	1	
5	532106222	TIRE	Front 15 x 6.0-6	1	
6	532124957	FITTING	(Front Wheel Only)	1	
7	532124959	BEARING	(Front Wheel Only)	1	
8	532175039	HUB CAP		1	
9	532124635	TIRE	Rear 18 x 8.5-8	1	
10	532124926	HOSE	Rear (Service Item Only)	1	
11	532125122	RIM	Rear 8"	1	
--	532144334	SEALING FOAM		1	

GPL®

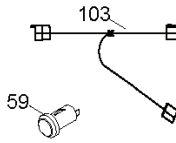


REF.	PART NO.	DESCRIPTION	REMARK	QTY.	KIT
2	532412282	PLATE		1	
5	532411764	DASH		1	
14	532186580	HOOD LT/PL		1	
18	532183826	GRILLE ASM.		1	
36	817060512	SCREW		1	
37	532420986	FENDER		1	
58	532412280	PLATE		1	
68	817490508	SCREW		1	
130	532416358	SCREW		1	
137	532184921	BUMPER		1	
138	532409730	CONSOLE		1	
151	532407807	BRACKET		1	
152	532194329	SHIELD		1	
153	532189837	LENS GRILLE		1	
159	817000612	SCREW		1	
162	532142432	SCREW		1	
175	532193243	PLATE		1	
176	532400776	SCREW		1	
177	532195228	BUSHING		1	
180	532194260	CHASSIS		1	
181	532404796	BUSHING		1	
182	532193057	PANEL		1	
183	874780520	BOLT		1	
189	817000512	SCREW		1	
194	873900500	NUT		1	
196	532414581	CONSOLE		1	
217	532409167	ROD		1	
228	532195161	STUD		1	
235	532406129	SPACER		1	
236	873930500	NUT		1	
287	817600406	SCREW		1	
302	532183823	INSERT LENS REFLECT		1	

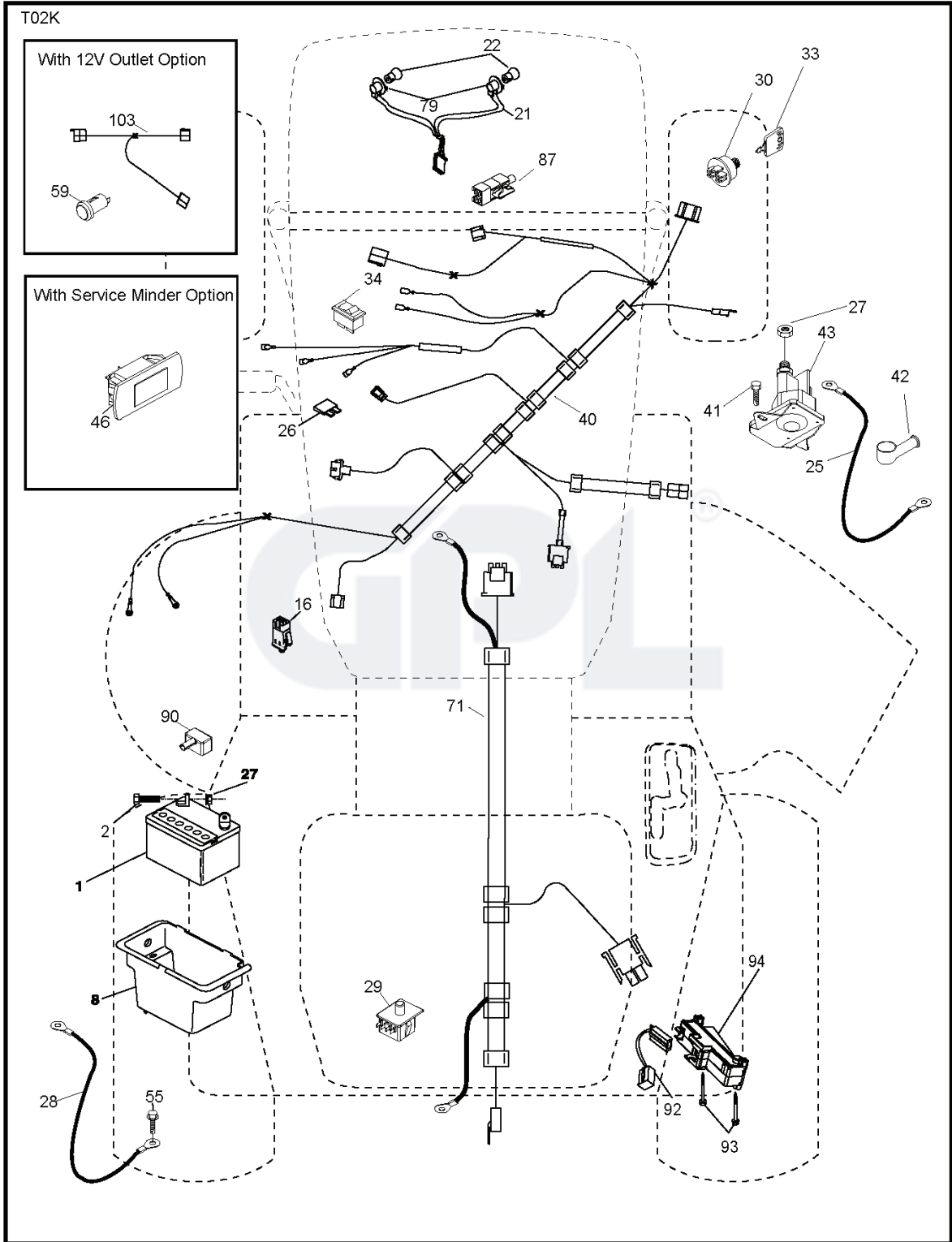
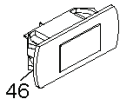


T02K

With 12V Outlet Option

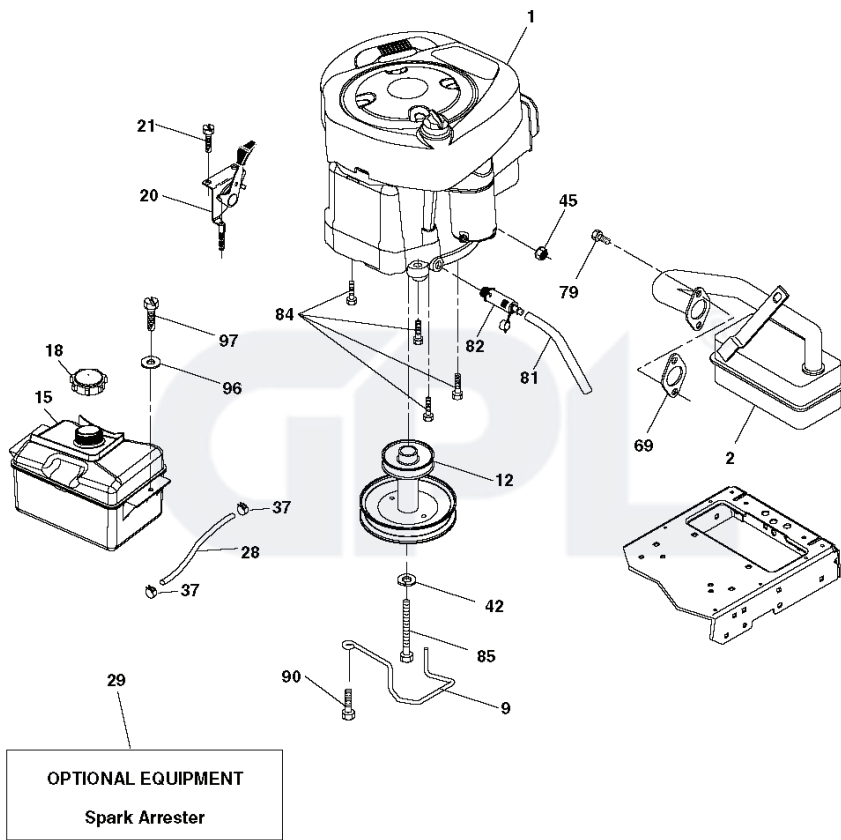


With Service Minder Option



REF.	PART NO.	DESCRIPTION	REMARK	QTY.	KIT
1	532163465	BATTERY		1	
2	874760412	BOLT		1	
8	532193228	BOX		1	
16	532176138	MICRO SWITCH		1	
21	532183759	HARNESS		1	
22	532004152	BULB		1	
25	532412894	CABLE.STARTER.GGA.BL/R*SUBS/2*		1	
26	532175158	FUSE		1	
27	873510400	NUT		1	
28	532198885	CABLE		1	
29	532192749	SWITCH.SEAT.DP W/RAMPS		1	
30	532193350	IGNITION MODULE		1	
33	532411933	KEY		1	
34	532110712	SWITCH		1	
40	532401098	CABLE		1	
41	817720408	SCREW		1	
42	532131563	COVER		1	
43	532192507	SOLENOID		1	
55	817060512	SCREW		1	
71	532400449	CABLE		1	
79	532175242	HOLDER		1	
87	532197802	SWITCH		1	
90	532400725	COVER		1	
92	532196615	CABLE ASSY		1	
93	532192540	SCREW		1	
94	532191834	MODULE.REVERSE.ROS		1	



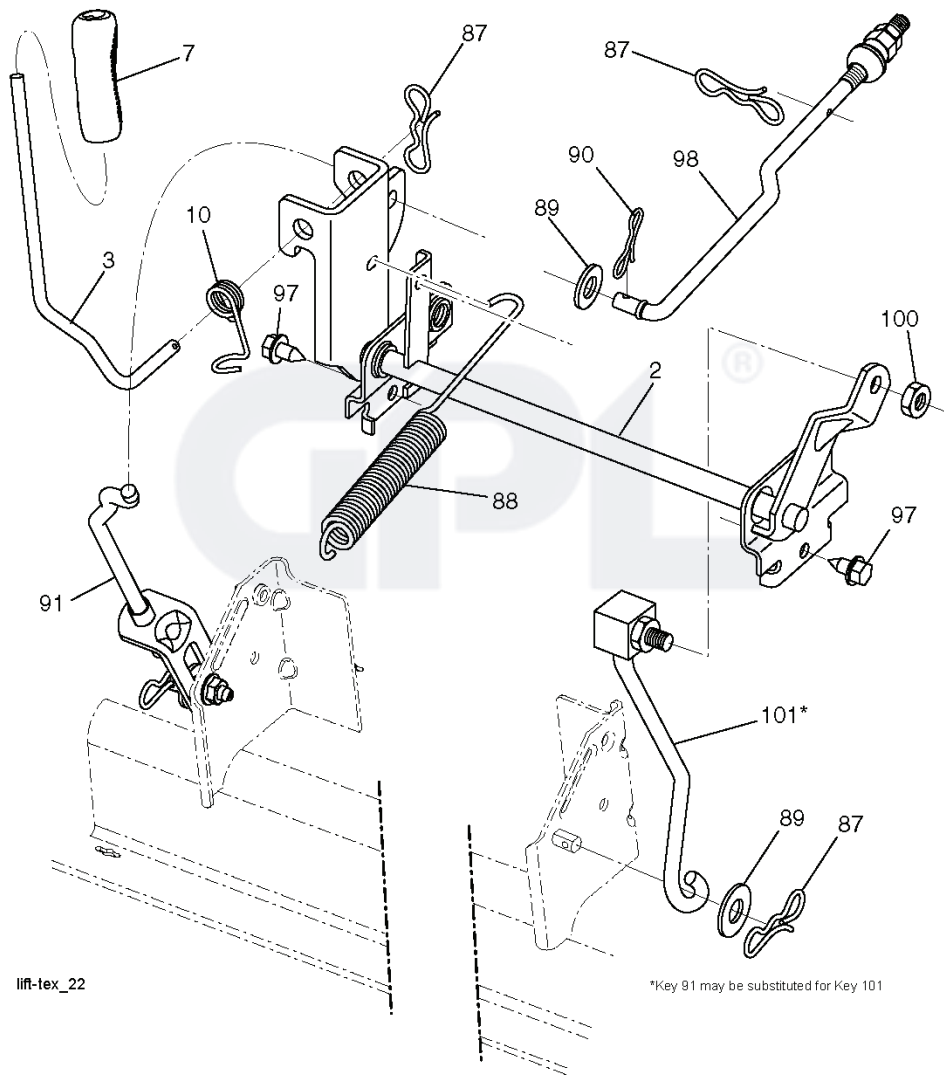


engine-tex\_BS\_12

---

REF.	PART NO.	DESCRIPTION	REMARK	QTY.	KIT
1				1	
2	532137352	MUFFLER		1	
9	532194319	BELT GUIDE		1	
12	532401985	PULLEY		1	
15	532407545	FUEL TANK		1	
18	532197725	PLUG		1	
20	532411724	CONTROL		1	
21	532416358	SCREW		1	
28	532137040	HOSE		1	
29	532137180	SPARK ARRESTER KIT		1	
37	532123487	HOSE CLAMP		1	
42	810040700	WASHER		1	
45	873510400	NUT		1	
69	532165291	GASKET		1	
79	532192334	SCREW		1	
81	532148456	TUBE		1	
82	532181654	PLUG		1	
84	817060620	SCREW		1	
85	532173937	BOLT		1	
90	817000616	SCREW		1	
96	819091416	WASHER		1	
97	817670412	SCREW		1	





lif-tex\_22

\*Key 91 may be substituted for Key 101

REF.	PART NO.	DESCRIPTION	REMARK	QTY.	KIT
2	532422027	SHAFT		1	
3	532195231	LEVER		1	
7	532411742	GRIP		1	
10	532196314	SPRING		1	
87	532194209	SPRING		1	
88	532410710	SPRING		1	
89	819171912	WASHER		1	
90	532194208	PIN		1	
91	532195181	LINK		1	
97	817000612	SCREW		1	
98	532195270	LINK		1	
100	873930600	NUT		1	
101	532407003	LINK		1	
	PART NO.		REMARK		KIT

