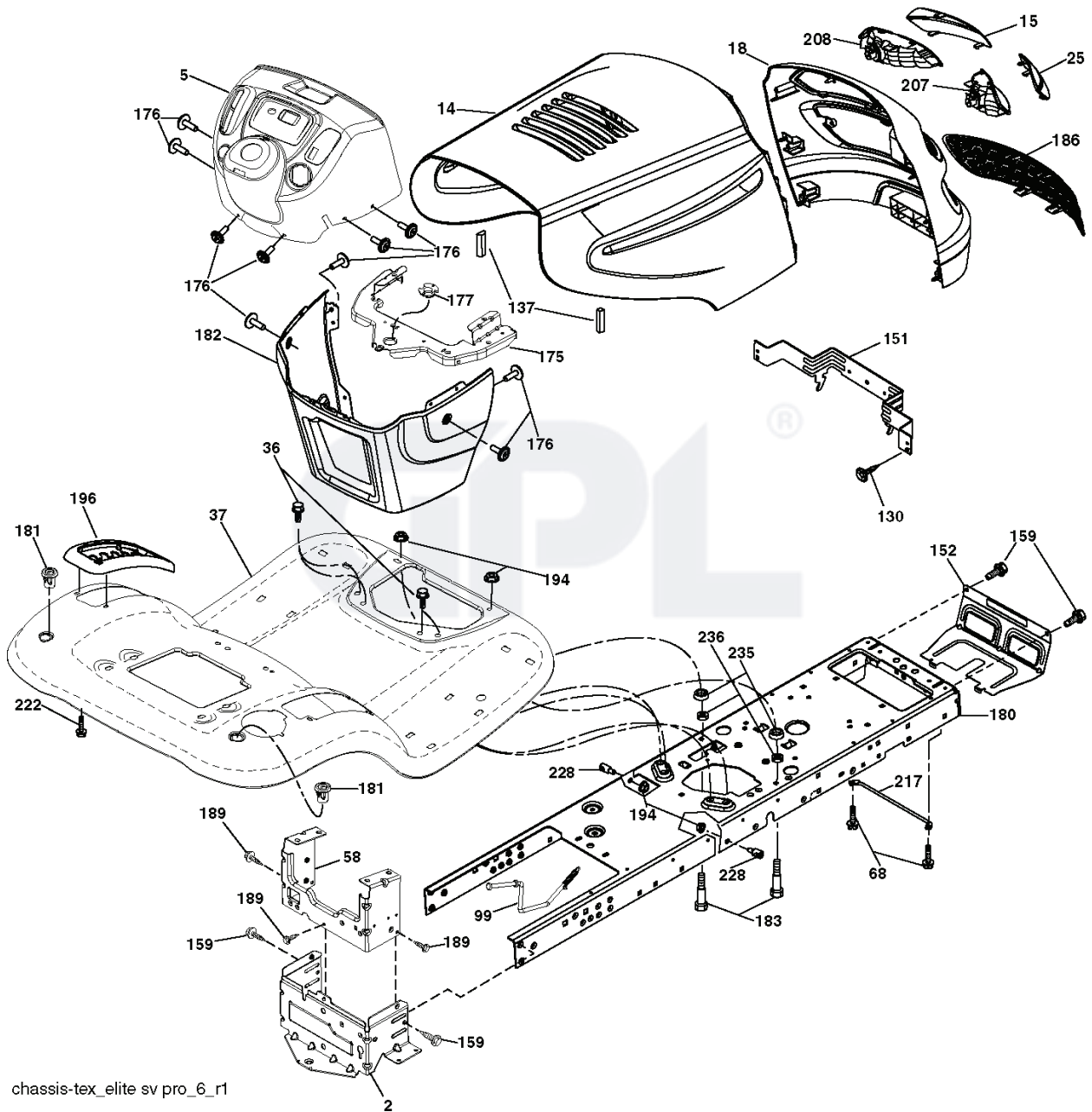


M13597H, 96041000901, 2009-01

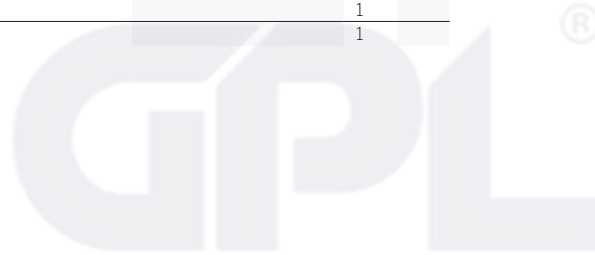


SPARE PARTS LIST



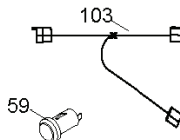
chassis-tex_elite sv pro_6_r1

REF.	PART NO.	DESCRIPTION	REMARK	QTY.	KIT
2	532412282	PLATE		1	
5	532411279	PANEL		1	
14	532186580	HOOD LT/PL		1	
15	532189754	LENS GRILLE LH		1	
18	532408298	LENS		1	
25	532189755	LENS GRILLE RH		1	
36	817060512	SCREW		1	
37	532411709	FENDER		1	
58	532412280	PLATE		1	
68	817490508	SCREW		1	
99	532403376	ROD		1	
130	532191611	SCREW		1	
137	532184921	BUMPER		1	
151	532407807	BRACKET		1	
152	532194329	SHIELD		1	
159	817000612	SCREW		1	
175	532193243	PLATE		1	
176	532400776	SCREW		1	
177	532195228	BUSHING		1	
180	532194260	CHASSIS		1	
181	532404796	BUSHING		1	
182	532193057	PANEL		1	
183	874780520	BOLT		1	
186	532189753	INSERT GRILLE		1	
189	817000512	SCREW		1	
194	873900500	NUT		1	
196	532416897	CONSOLE		1	
207	532183833	SUPPORT DE PHARE DROIT		1	
208	532183832	SUPPORT DE PHARE GAUCHE		1	
217	532409167	ROD		1	
222	532137729	SCREW		1	
228	532195161	STUD		1	
235	532406129	SPACER		1	
236	873930500	NUT		1	

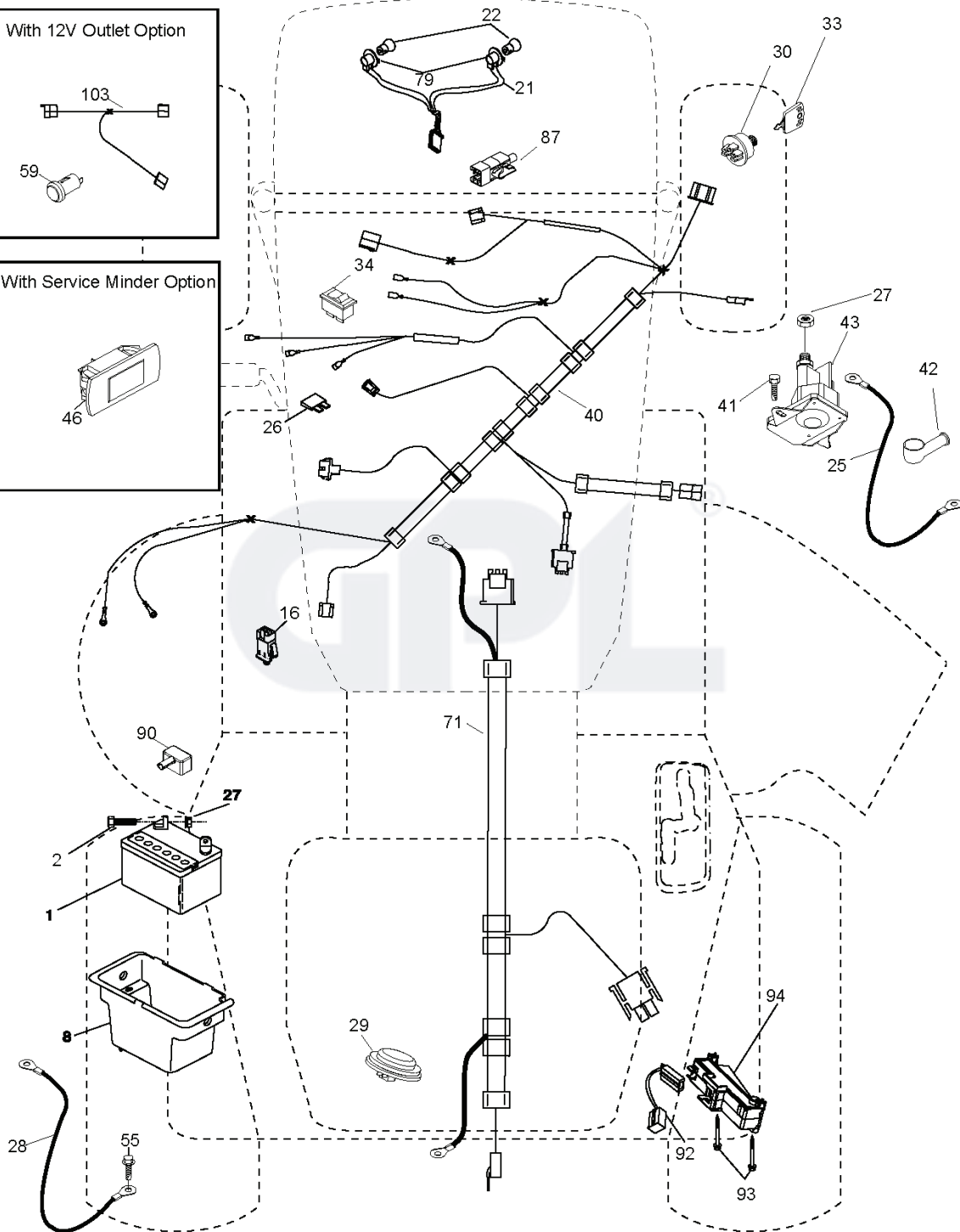
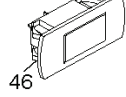


T02S

With 12V Outlet Option

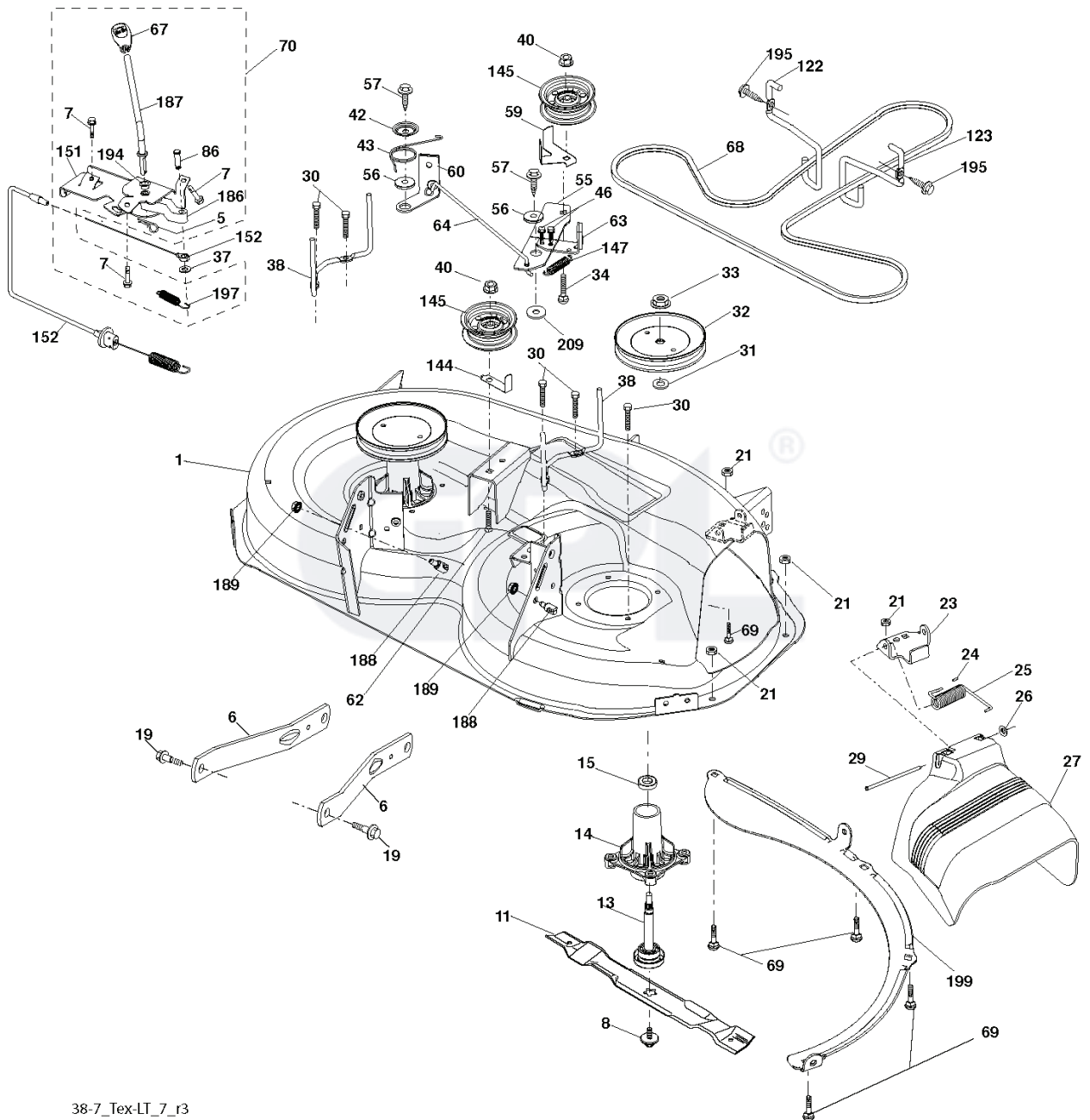


With Service Minder Option



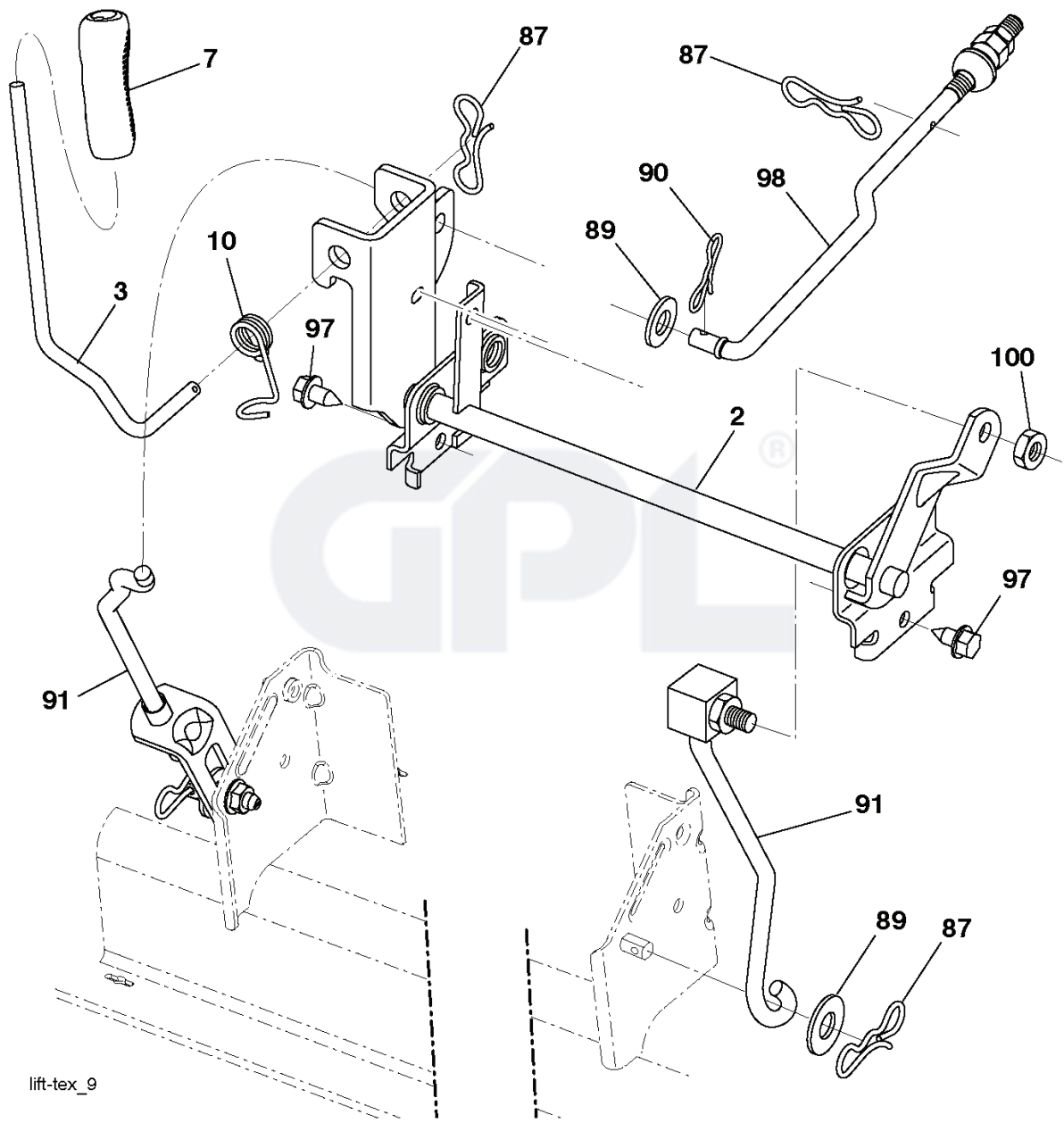
REF.	PART NO.	DESCRIPTION	REMARK	QTY.	KIT
1	532163465	BATTERY		1	
2	874760412	BOLT		1	
8	532193228	BOX		1	
16	532176138	MICRO SWITCH		1	
21	532183759	HARNESS		1	
22	532004152	BULB		1	
25	532401662	CABLE		1	
26	532175158	FUSE		1	
27	873510400	NUT		1	
28	532198885	CABLE		1	
29	532401545	SWITCH		1	
30	532193350	IGNITION MODULE		1	
33	532411935	KEY		1	
34	532110712	SWITCH		1	
40	532401098	CABLE		1	
41	817720408	SCREW		1	
42	532131563	COVER		1	
43	532192507	SOLENOID		1	
55	817060512	SCREW		1	
71	532400449	CABLE		1	
79	532175242	HOLDER		1	
87	532197802	SWITCH		1	
90	532400725	COVER		1	
92	532196615	CABLE ASSY		1	
93	532192540	SCREW		1	
94	532191834	MODULE.REVERSE.ROS		1	





38-7_Tex-LT_7_r3

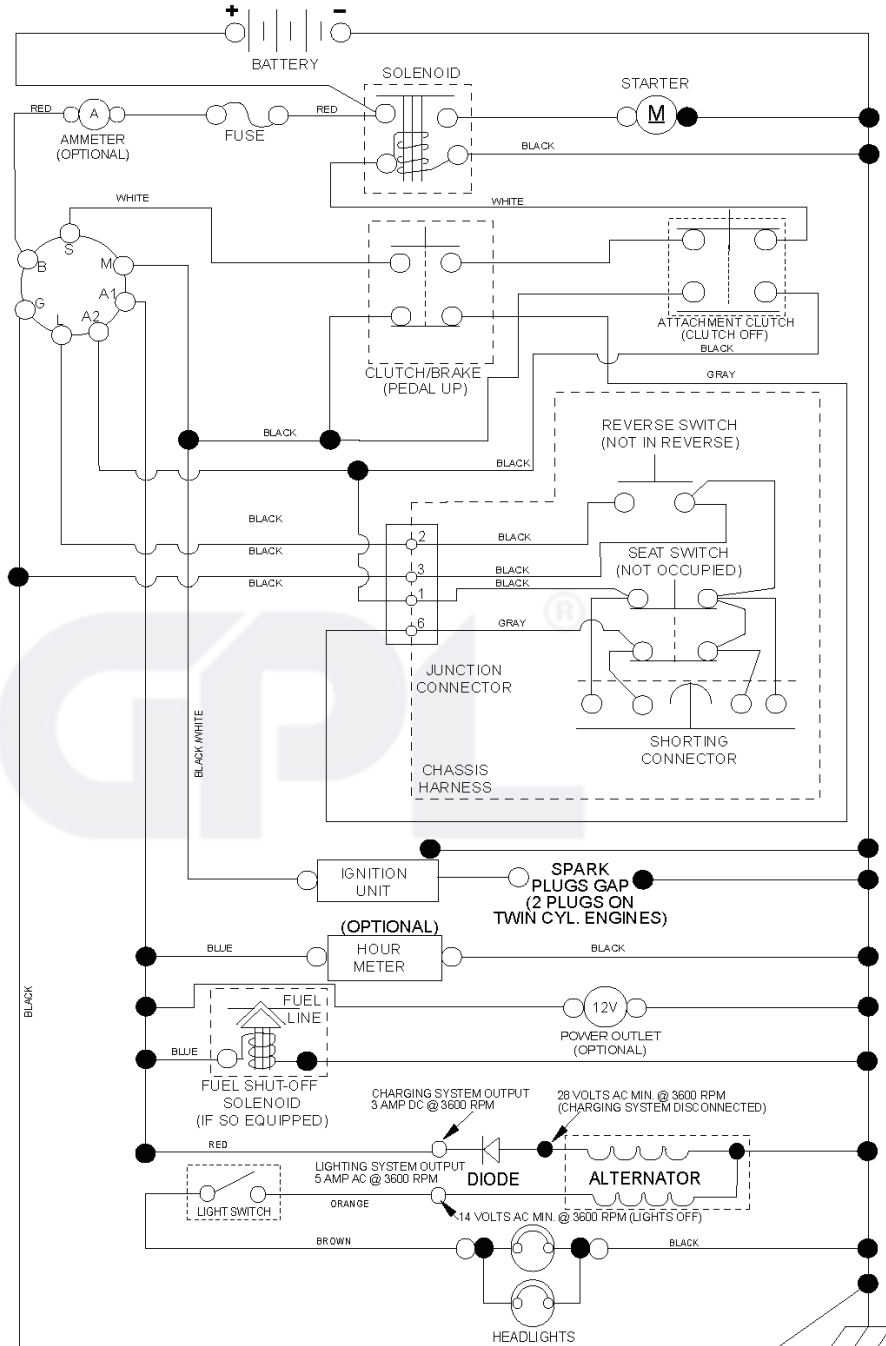
REF.	PART NO.	DESCRIPTION	REMARK	QTY.	KIT
1	532194251	HOUSING		1	
5	532124670	RETAINER RING		1	
6	532195186	ARM		1	
7	532191611	SCREW		1	
8	532193003	SCREW		1	
11	532193957	RIDE ON BLADE		1	
13	532192872	SHAFT ASSY		1	
14	532187281	BEARING HOUSING		1	
15	532110485	BEARING		1	
19	532196539	BOLT		1	
21	873680500	NUT		1	
23	532192557	HINGE		1	
24	532105304	HUB CAP		1	
25	532197026	TORSION SPRING		1	
26	532110452	NUT		1	
27	532401472	DEFLECTOR		1	
29	532131491	SHAFT		1	
30	532173984	SCREW		1	
31	532187690	WASHER		1	
32	532199789	PULLEY		1	
33	532400234	NUT		1	
34	872110612	BOLT		1	
37	819131316	WASHER		1	
38	532199541	BELT GUIDE		1	
40	873900600	NUT		1	
42	532198410	SPRING		1	
43	532197256	SPRING		1	
46	532137729	SCREW		1	
55	532197249	ARM		1	
56	532199092	SPACER		1	
57	817000616	SCREW		1	
59	532141043	GUARD		1	
60	532199471	ARM		1	
62	872110612	BOLT		1	
63	532199470	ARM		1	
64	532199790	LINK		1	
67	532409792	HANDLE		1	
68	532408381	BELT		1	
69	872140505	BOLT		1	
70	532198332	CLUTCH		1	
86	532197798	PEN		1	
122	532197258	BELT GUIDE		1	
123	532197259	BELT GUIDE		1	
144	532193414	BELT GUIDE		1	
145	532193197	PULLEY		1	
147	532401872	SPRING		1	
151	532198331	BRACKET		1	
152	532408714	CABLE		1	
186	532197799	ARM		1	
187	532197800	CONTROL		1	
188	532195161	STUD		1	
189	873900500	NUT		1	
194	532197797	BEARING		1	
195	817000612	SCREW		1	
197	532197801	SPRING		1	
199	532400095	BAFFLE		1	
209	819133210	WASHER		1	
--	532192870	SPINDLE		1	
--	532400422	CUTTING DECK		1	



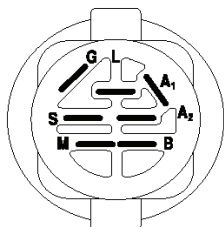
lift-tex_9

REF.	PART NO.	DESCRIPTION	REMARK	QTY.	KIT
2	532195223	SHAFT		1	
3	532195231	LEVER		1	
7	532411742	GRIP		1	
10	532196314	SPRING		1	
87	532194209	SPRING		1	
89	819191912	WASHER		1	
90	532194208	PIN		1	
91	532195181	LINK		1	
97	817000612	SCREW		1	
98	532195270	LINK		1	
100	873930600	NUT		1	



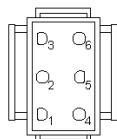


NOTE
 YOUR TRACTOR IS EQUIPPED WITH A SPECIAL ALTERNATOR SYSTEM. THE LIGHTS ARE NOT CONNECTED TO THE BATTERY, BUT HAVE THEIR OWN ELECTRICAL SOURCE. BECAUSE OF THIS, THE BRIGHTNESS OF THE LIGHTS WILL CHANGE WITH ENGINE SPEED. AT IDLE THE LIGHTS WILL DIM. AS THE ENGINE IS SPEEDED UP, THE LIGHTS WILL BECOME THEIR BRIGHTEST.

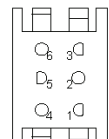


IGNITION SWITCH

POSITION	CIRCUIT	"MAKE"
OFF	M+G+A1	
RUN/OVERRIDE	B+A1	
RUN	B+A1	L+A2
START	B + S + A1	

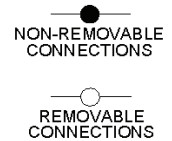


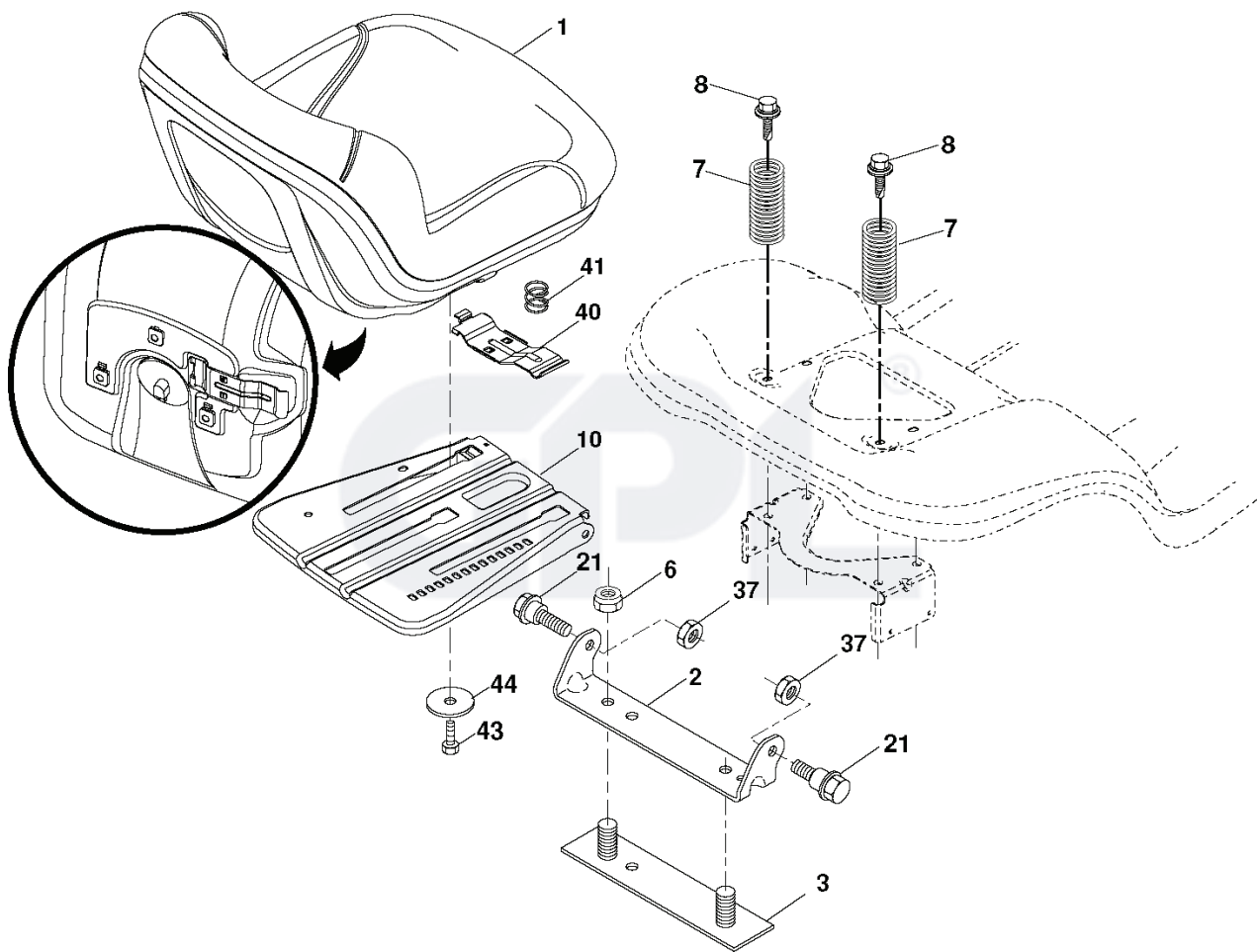
CHASSIS HARNESS CONNECTOR (MATING SIDE)



DASH HARNESS CONNECTOR (MATING SIDE)

WRING INSULATED CLIPS
 NOTE: IF WIRING INSULATED CLIPS WERE REMOVED FOR SERVICING OF UNIT, THEY SHOULD BE RE-INSTALLED TO PROPERLY SECURE YOUR WIRING.





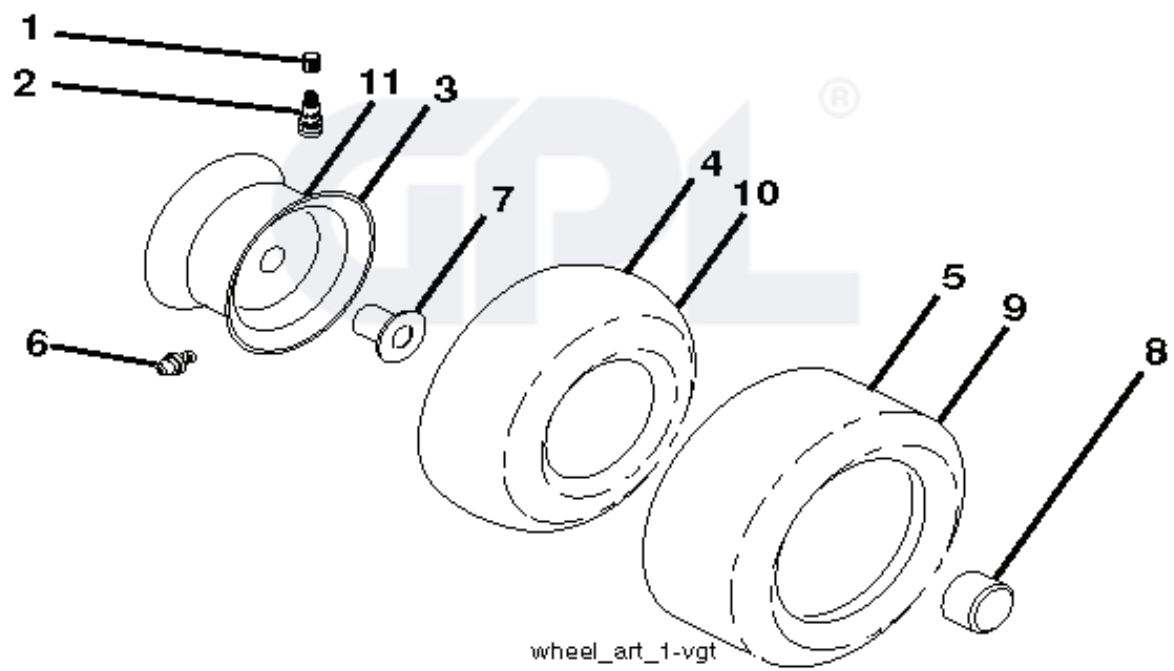
seat-tex_7-vgt

REF.	PART NO.	DESCRIPTION	REMARK	QTY.	KIT
1	532197511	SEAT		1	
2	532180166	BRACKET		1	
3	532140675	STRAP		1	
6	873800600	NUT		1	
7	532124181	SPRING		1	
8	532171877	BOLT		1	
10	532196977	PLATE		1	
21	532171852	BOLT		1	
37	873800500	LOCK NUT		1	
40	532197661	HANDLE		1	
41	532198200	SPRING		1	
43	874760612	BOLT		1	
44	819133812	WASHER		1	



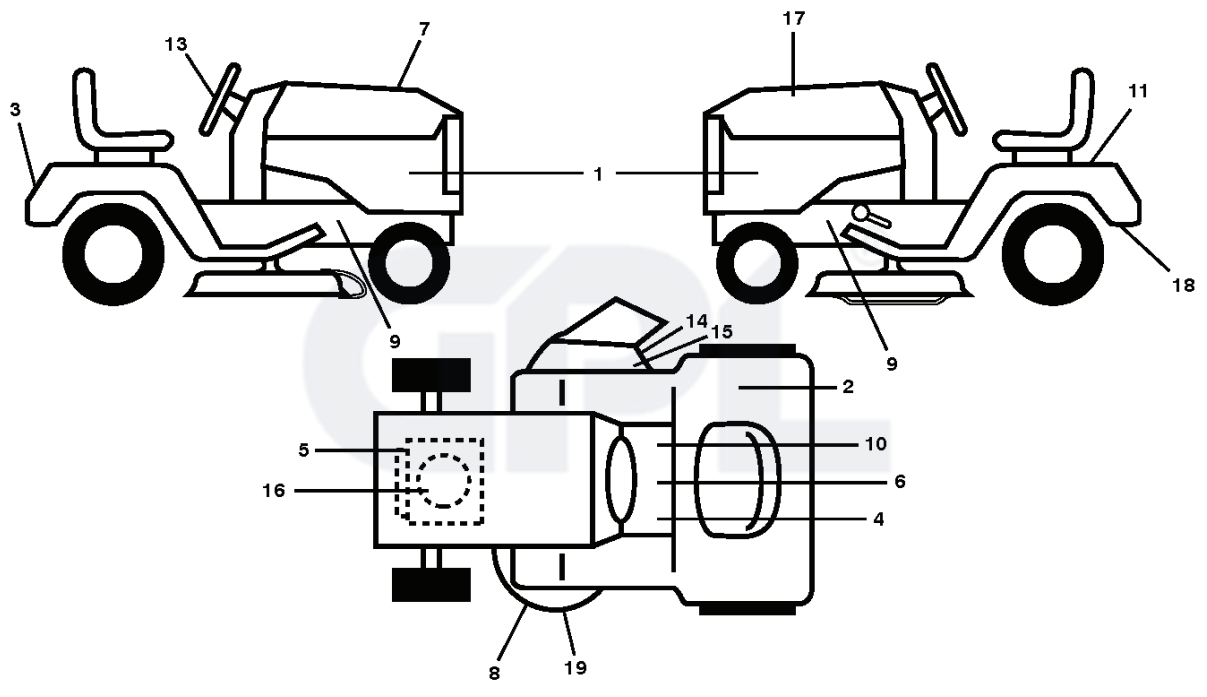
REF.	PART NO.	DESCRIPTION	REMARK	QTY.	KIT
1	532194595	STEERING WHEEL		1	
2	532195673	SHAFT		1	
4	532403087	SPINDLE		1	
5	532403088	SPINDLE		1	
6	532124931	WASHER		1	
7	532121748	WASHER		1	
8	812000029	RETAINER RING		1	
9	532121232	HUB CAP		1	
13	532121749	WASHER		1	
14	810040600	WASHER		1	
15	873540600	NUT		1	
16	532196074	SHAFT		1	
19	532194729	PLATE		1	
20	532411291	STEERING COLUMN		1	
21	532186737	ADAPTER		1	
22	532194845	BUSHING		1	
26	532194603	HUB		1	
28	817000612	SCREW		1	
33	810040500	WASHER		1	
35	532194732	PLATE		1	
45	819113812	WASHER		1	
50	873900600	NUT		1	
53	532188967	WASHER		1	
54	874760636	BOLT		1	
55	532197636	SPACER		1	
57	532407465	BRACKET		1	
58	532194747	BOLT		1	
59	532194748	WASHER		1	
60	873971000	NUT		1	
61	532194740	LINK		1	
62	532194741	LINK		1	
63	817000512	SCREW		1	
64	532199849	SPRING RETAINER		1	
65	532194734	BRACKET		1	
66	871020748	BOLT		1	
67	532194737	BUSHING		1	
68	873900700	NUT		1	
69	532199162	WASHER		1	
70	532196197	BRACKET		1	
71	532196075	SHAFT		1	
72	874780572	BOLT		1	
74	532124937	BEARING COL. STRG.		1	
78	532057079	WASHER		1	

WHEELS & TIRES



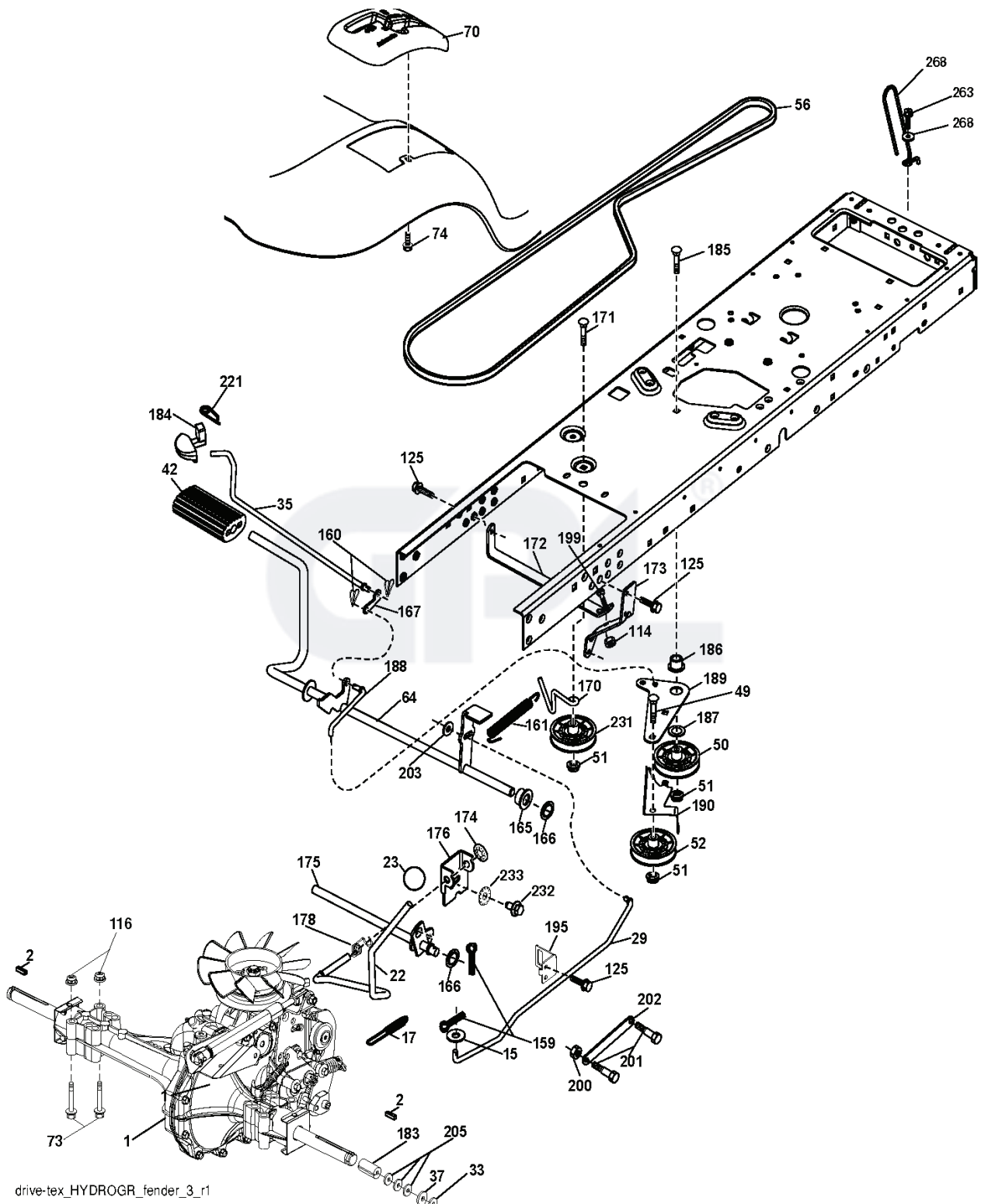
REF.	PART NO.	DESCRIPTION	REMARK	QTY.	KIT
1	532059192	CAP VALVE		1	
2	532065139	NIPPLE		1	
3	532125121	RIM		1	
4	532059904	HOSE		1	
5	532106222	TIRE		1	
6	532124957	FITTING		1	
7	532124959	BEARING		1	
8	532175039	HUB CAP		1	
9	532124635	TIRE		1	
10	532124926	HOSE		1	
11	532125122	RIM		1	
--	532144334	SEALING FOAM		1	





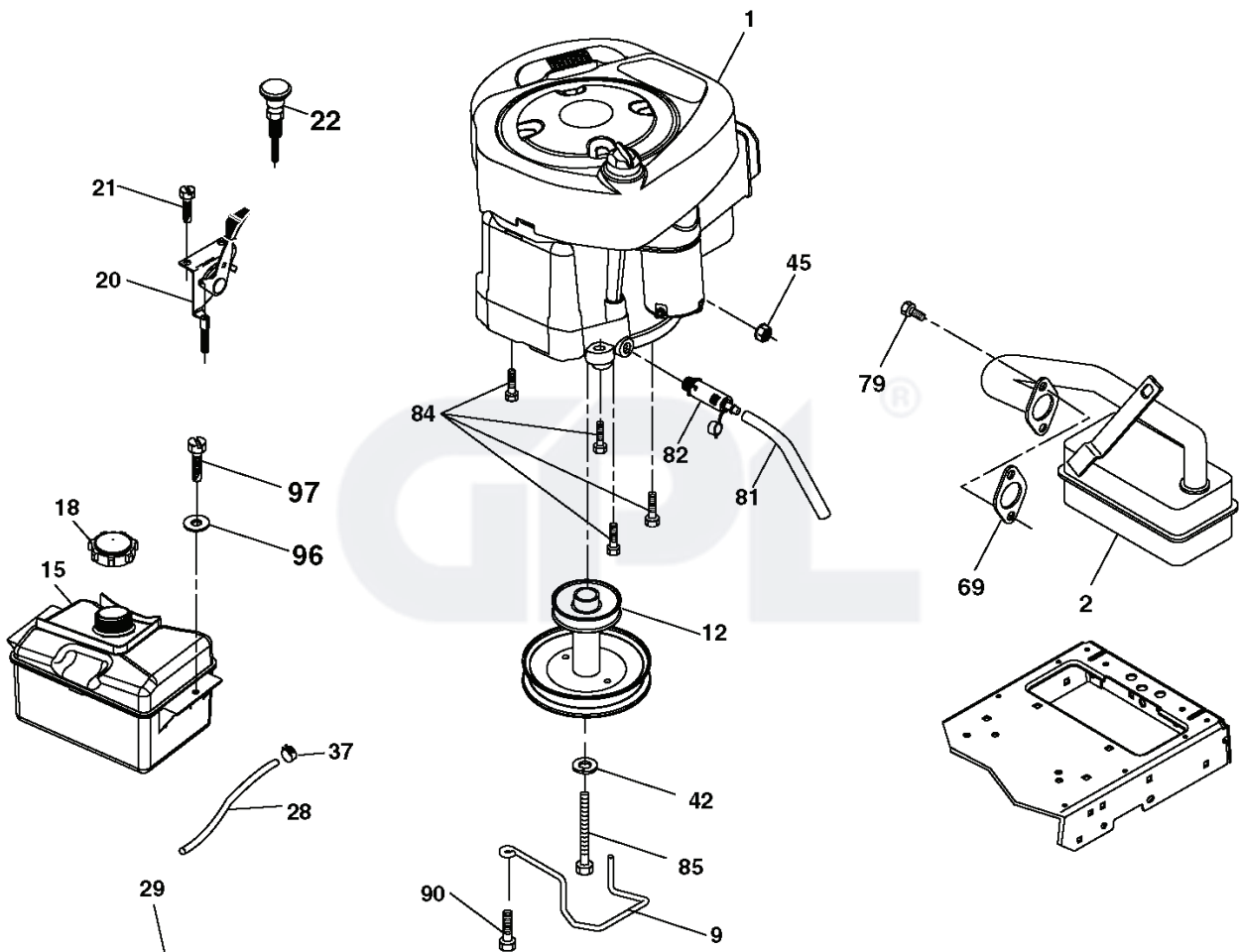
REF.	PART NO.	DESCRIPTION	REMARK	QTY.	KIT
1	532408998	DECAL		1	
2	532180432	DECAL		1	
3	532408999	DECAL		1	
4	532159737	DECAL		1	
5	532408815	LABEL		1	
6	532400389	LABEL		1	
7	532408258	LABEL		1	
8	532194302	DECAL.C.SCHEMA MONTAGE		1	
9	532159736	DECAL		1	
10	532140837	DECAL		1	
11	532145005	DECAL		1	
13	532408202	LABEL		1	
14	532182166	DECAL		1	
15	532196357	DECAL.C."DANGER DEFLECTEUR"		1	
16	532196841	DECAL		1	
17	532408259	LABEL		1	
18	532162598	DECAL		1	
19	532134999	DECAL		1	
--	532408204	DECAL		1	
--	532166960	DECAL		1	
--	532409505	PAD		1	
--	532411273	PAD		1	
--	532408278	OPERATOR'S MANUAL		1	
--	532408279	OPERATOR'S MANUAL		1	
--	532411969	OPERATOR'S MANUAL		1	
--	532411970	OPERATOR'S MANUAL		1	





drive-tex_HYDROGR_fender_3_r1

REF.	PART NO.	DESCRIPTION	REMARK	QTY.	KIT
1				1	
2	532123583	KEY		1	
15	819131316	WASHER		1	
17	532197296	SPRING		1	
22	532197660	ROD		1	
23	532411400	KNOB		1	
29	532197659	ROD		1	
33	812000001	RETAINER RING		1	
35	532197722	ROD		1	
37	532121749	WASHER		1	
42	532124872	PEDAL RUBBER		1	
49	872110614	BOLT		1	
50	532194327	PULLEY		1	
51	873900600	NUT		1	
52	532194326	PULLEY		1	
56	532140218	V-BELT		1	
64	532196200	SHAFT		1	
70	532411329	CONSOLE		1	
73	874490544	SCREW		1	
74	532142432	SCREW		1	
114	873800500	LOCK NUT		1	
116	873900500	NUT		1	
125	817000512	SCREW		1	
159	876020412	SPLIT PIN		1	
160	532169484	PIN		1	
161	532105709	SPRING		1	
165	532196212	BUSHING		1	
166	532197290	NUT		1	
167	532405257	LATCH		1	
170	532194322	KEEPER		1	
171	872110622	BOLT		1	
172	532197656	STRAP		1	
173	532197655	STRAP		1	
174	532197289	NUT		1	
175	532197653	SHAFT		1	
176	532196214	ARM		1	
178	532197456	SPRING		1	
183	532137057	SPACER		1	
184	532411289	KNOB		1	
185	872110620	BOLT		1	
186	532194321	SPACER		1	
187	819133210	WASHER		1	
188	532194323	LINK		1	
189	532194317	PLATE		1	
190	532194318	BELT GUIDE		1	
195	532198012	BRACKET		1	
199	872140508	BOLT		1	
200	873930500	NUT		1	
201	532169612	SCREW		1	
202	532197715	LINK		1	
203	819111116	WASHER		1	
205	532121748	WASHER		1	
221	532403187	SPRING		1	
231	532407287	PULLEY		1	
232	874780716	BOLT		1	
233	532405296	WASHER		1	
263	817000612	SCREW		1	
268	819131614	WASHER		1	
275	532182402	PROTECTOR		1	



OPTIONAL EQUIPMENT
Spark Arrester

REF.	PART NO.	DESCRIPTION	REMARK	QTY.	KIT
1				1	
2	532179758	MUFFLER		1	
9	532194319	BELT GUIDE		1	
12	532401985	PULLEY		1	
15	532407545	FUEL TANK		1	
18	532197725	PLUG		1	
20	532411724	CONTROL		1	
21	532191611	SCREW		1	
22	532411725	CONTROL		1	
28	532137040	HOSE		1	
29	532137180	SPARK ARRESTER KIT		1	
37	532123487	HOSE CLAMP		1	
42	810040700	WASHER		1	
45	873510400	NUT		1	
69	532165291	GASKET		1	
79	532192334	SCREW		1	
81	532148456	TUBE		1	
82	532181654	PLUG		1	
84	817060620	SCREW		1	
85	532173937	BOLT		1	
90	817000616	SCREW		1	
96	819091416	WASHER		1	
97	817670412	SCREW		1	
	PART NO.		REMARK		KIT

