

ILLUSTRATED PARTS LIST

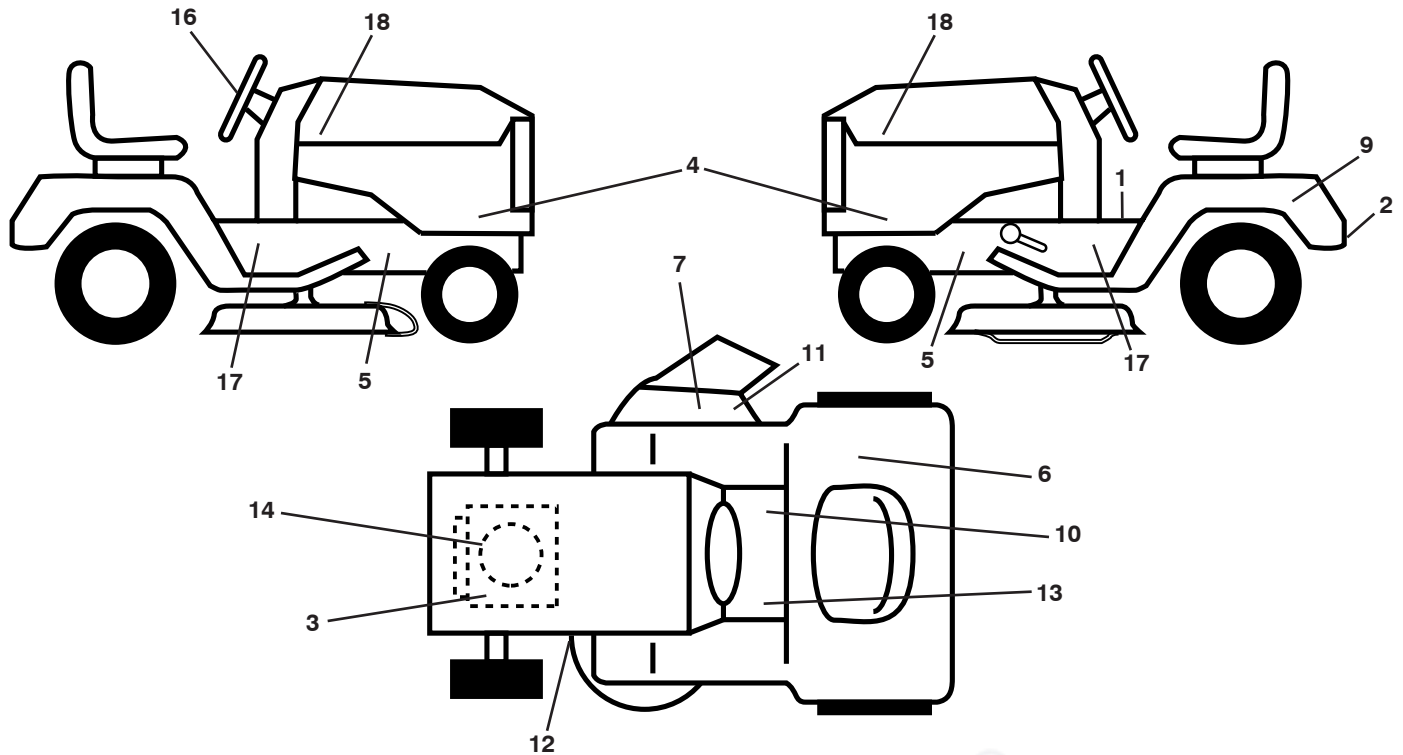
MODEL NO. 96041026600

CUSTOMER CATALOG NO. M11597

PRODUCT NO. 960 41 02-66



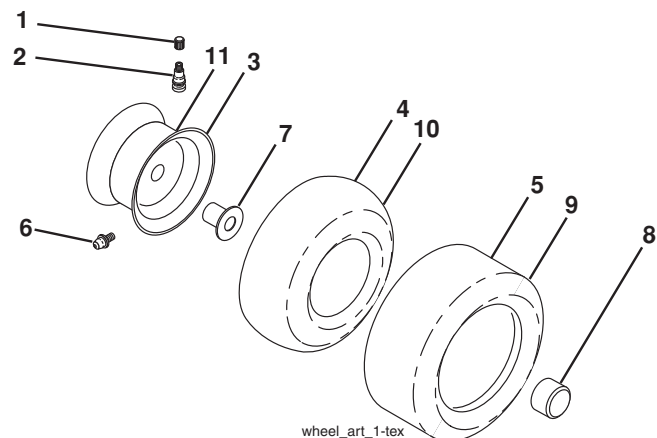
**TRACTOR - - MODEL NO. M11597 (96041026600), PRODUCT NO. 960 41 02-66
DECALS 27**



KEY NO.	PART NO.	DESCRIPTION
1	532 40 03-89	Decal, Operators
2	532 44 44-52	Decal, Fender
3	532 19 68-41	Decal, Warning Eng. Symbols
4	532 44 64-93	Decal, Side Panel
5	532 15 97-36	Decal, Chassis Hot Muffler
6	532 18 04-32	Decal, Fender 100 DB/CE
7	532 18 21-66	Decal, Cutfinger CE
9	532 14 50-05	Decal, Battery Dnge/Poi
10	532 14 08-37	Decal, Saddle Brake Parking
11	532 19 63-57	Decal, Warning
12	532 19 43-02	Decal, Mower V-Belt Schematic
13	532 15 97-37	Decal, Brake/Clutch Symbol

KEY NO.	PART NO.	DESCRIPTION
14	532 43 74-09	Decal, Eng. HP
16	532 43 79-66	Decal, Steering
17	532 18 56-51	Decal, Chassis Turbo
18	532 43 78-25	Decal, Hood RH/LH
--	532 40 95-05	Pad, Footrest, LH
--	532 41 12-73	Pad, Footrest, RH
--	532 16 25-98	Decal, Drawbar Load Limit
--	532 44 65-49	Manual Oper. Euro
--	532 44 65-50	Manual Oper. Scan
--	532 44 65-51	Manual Oper. E-Bloc
--	532 44 65-52	Manual Oper. Baltic

WHEELS AND TIRES

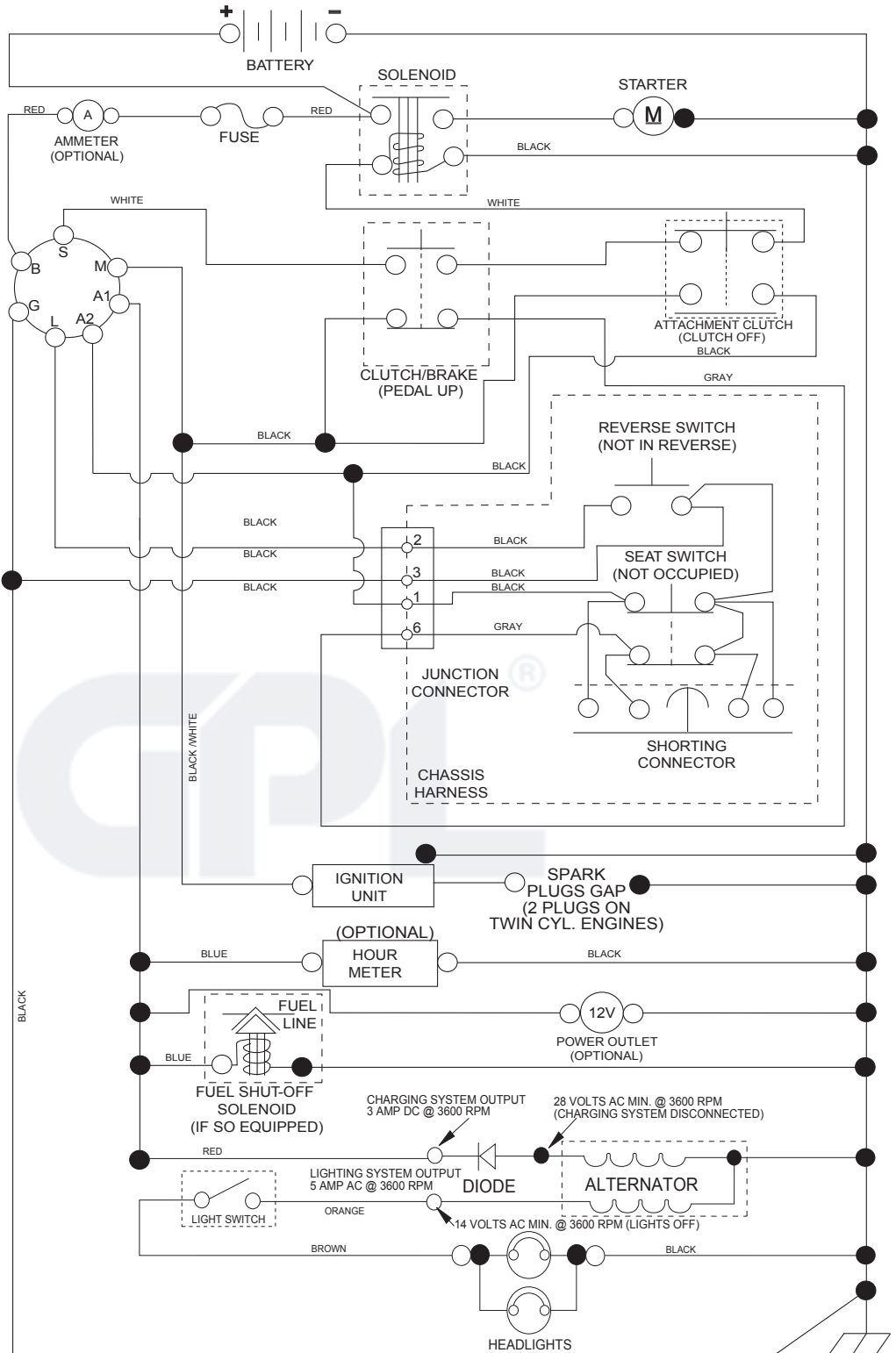


KEY NO.	PART NO.	DESCRIPTION
1	532 05 91-92	Cap Valve Tire
2	532 06 51-39	Stem Valve
3	532 12 51-21	Rim Asm 6" Front
4	532 05 99-04	Tube Front (Service Item Only)
5	532 12 41-57	Tire F T
6	532 12 49-57	Fitting Grease (Front Wheel Only)
7	532 12 49-59	Bearing Flange (Front Wheel Only)
8	532 17 50-39	Cap Axle Blk 1 50 x 1 00
9	532 12 39-69	Tire R
10	532 12 49-26	Tube Rear (Service Item Only)
11	532 12 51-22	Rim Asm 8" Rear
--	532 14 43-34	Sealant, Tire (10 oz. Tube)

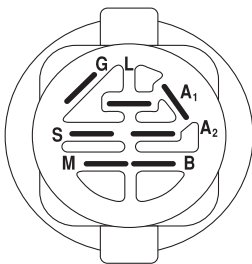
NOTE: All component dimensions given in U.S. inches
1 inch = 25.4 mm

TRACTOR - - MODEL NO. M11597 (96041026600), PRODUCT NO. 960 41 02-66 SCHEMATIC **38**

SCH11

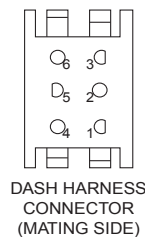
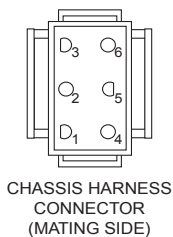


NOTE
YOUR TRACTOR IS EQUIPPED WITH A SPECIAL ALTERNATOR SYSTEM. THE LIGHTS ARE NOT CONNECTED TO THE BATTERY, BUT HAVE THEIR OWN ELECTRICAL SOURCE. BECAUSE OF THIS, THE BRIGHTNESS OF THE LIGHTS WILL CHANGE WITH ENGINE SPEED. AT IDLE THE LIGHTS WILL DIM. AS THE ENGINE IS SPEEDED UP, THE LIGHTS WILL BECOME THEIR BRIGHTEST.



IGNITION SWITCH

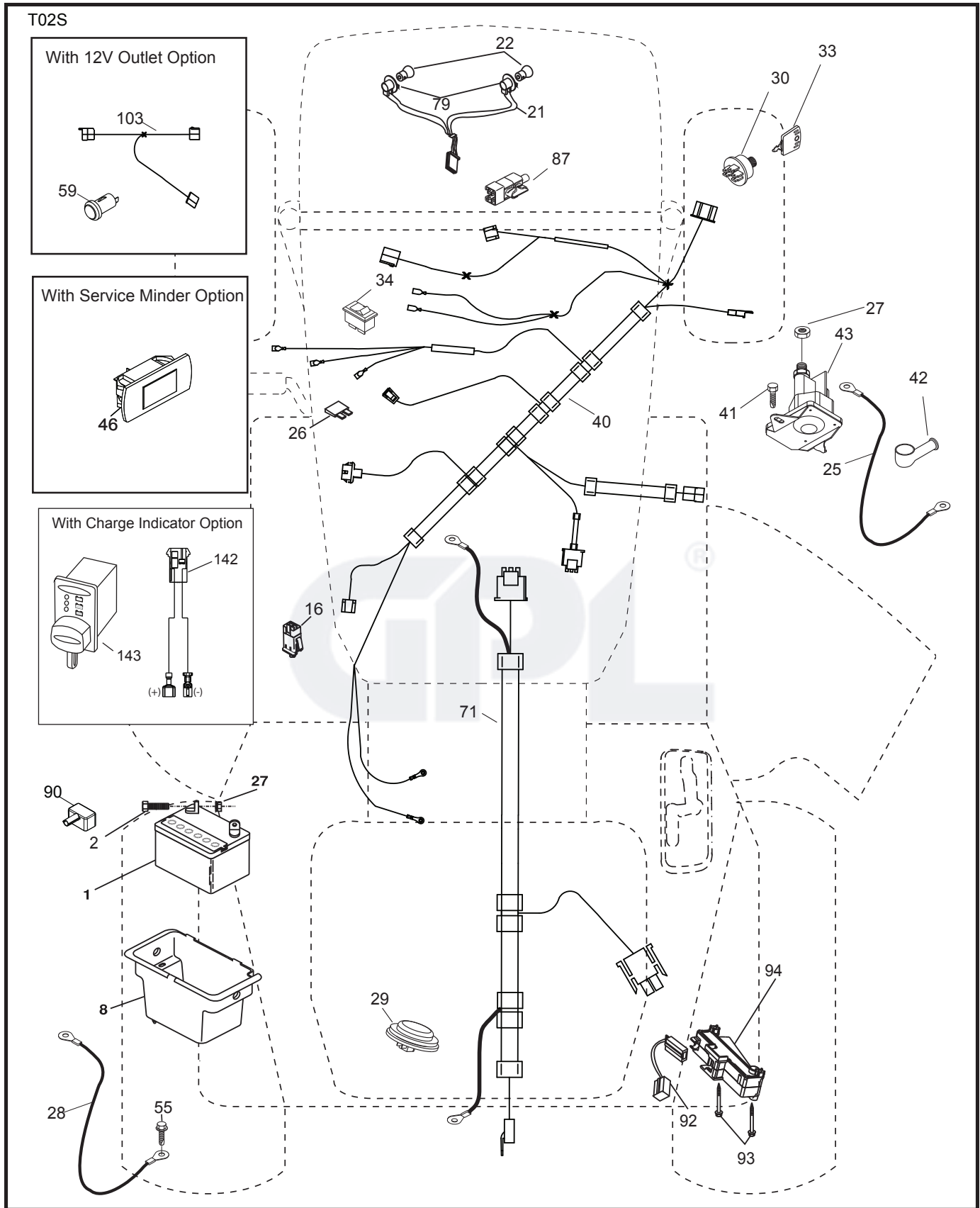
POSITION	CIRCUIT	"MAKE"
OFF	M+G+A1	
RUN/OVERRIDE	B+A1	
RUN	B+A1	L+A2
START	B + S + A1	



WIRING INSULATED CLIPS
NOTE: IF WIRING INSULATED CLIPS WERE REMOVED FOR SERVICING OF UNIT, THEY SHOULD BE RE-INSTALLED TO PROPERLY SECURE YOUR WIRING.

NON-REMOVABLE CONNECTIONS
REMOVABLE CONNECTIONS

TRACTOR - - MODEL NO. M11597 (96041026600), PRODUCT NO. 960 41 02-66
ELECTRICAL 32

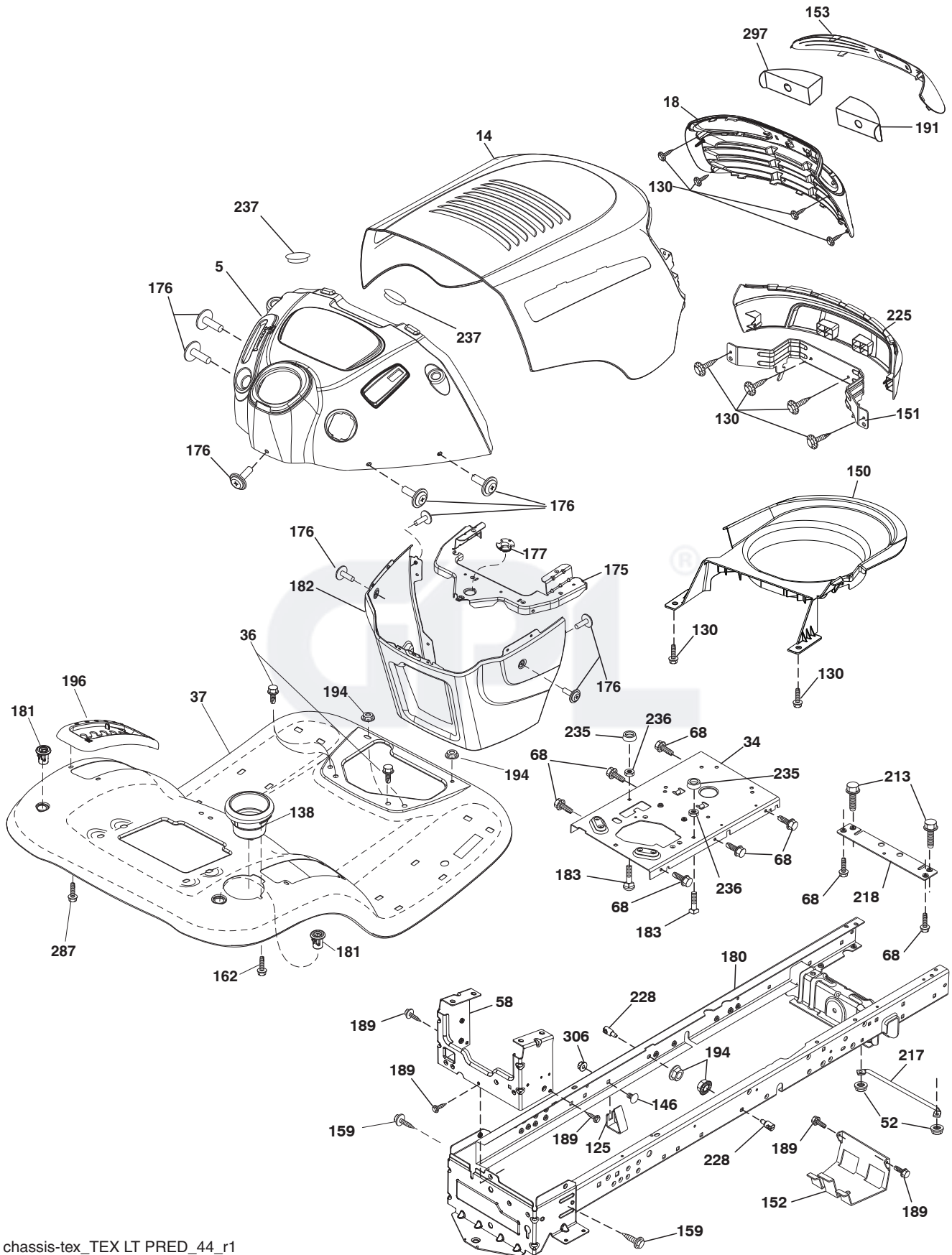


**TRACTOR - - MODEL NO. M11597 (96041026600), PRODUCT NO. 960 41 02-66
ELECTRICAL 32**

KEY NO.	PART NO.	DESCRIPTION
1	532 16 34-65	Battery
2	874 76 04-12	Bolt Hex Head 1/4-20 x 3/4
8	532 19 32-28	Box Battery
16	532 17 61-38	Switch Interlock Push-In
21	532 40 02-52	Harness Socket Light
22	532 00 41-52	Bulb Light
25	532 41 28-94	Cable Starter
26	532 17 51-58	Fuse
27	873 51 04-00	Nut Keps Hex 1/4-20 unc
28	532 19 88-85	Cable, Ground
29	532 40 15-45	Switch, Seat
30	532 19 33-50	Switch, Ign
33	532 41 19-35	Key/Chain
34	532 11 07-12	Switch Light/Reset
40	532 40 10-98	Harness Ign. Dash
41	817 72 04-08	Screw Thd Cut 1/4-20 x 1/2
42	532 13 15-63	Cover, Terminal
43	532 19 25-07	Solenoid
55	817 06 05-12	Screw Thdrol 5/16-18 x 3/4 TYTT
71	532 44 15-44	Harness Ign. Chassis
79	532 17 52-42	Socket Asm Bulb
87	532 19 78-02	Switch Interlock Clutch Cable
90	532 43 53-95	Cover Terminal
92	532 19 66-15	Harness Pigtail Reverse Switch
93	532 19 25-40	Screw Plastite 10-14 x 2.0
94	532 19 18-34	Module Reverse ROS

NOTE: All component dimensions given in U.S. inches
1 inch = 25.4 mm

TRACTOR - - MODEL NO. M11597 (96041026600), PRODUCT NO. 960 41 02-66
CHASSIS AND ENCLOSURES **39**



chassis-tex_TEX LT PRED_44_r1

**TRACTOR - - MODEL NO. M11597 (96041026600), PRODUCT NO. 960 41 02-66
CHASSIS AND ENCLOSURES 39**

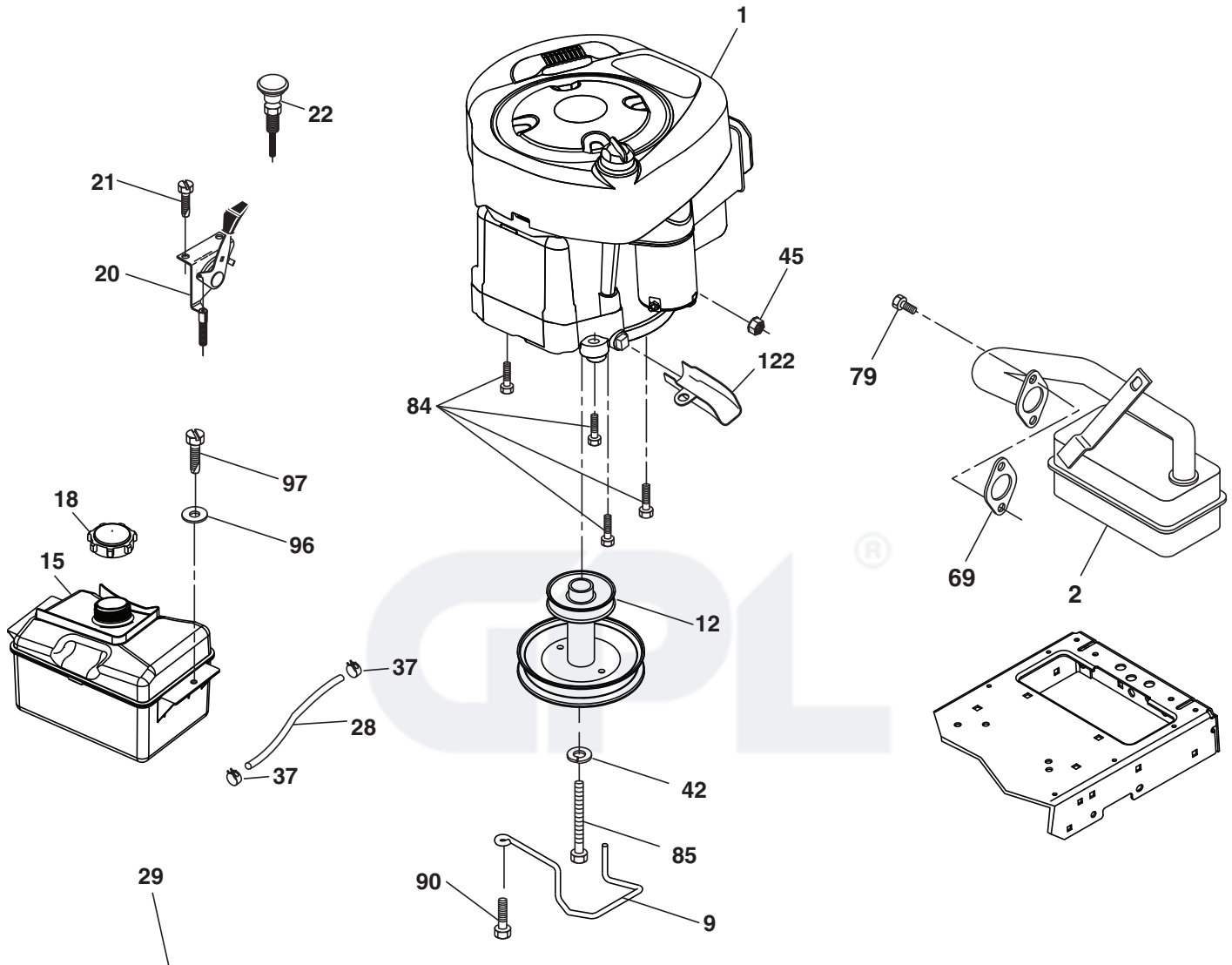
KEY NO.	PART NO.	DESCRIPTION
5	532 40 95-97	Dash
14	532 40 95-98	Hood
18	532 42 65-11	Grille
34	532 44 72-53	Plate Engine
36	817 06 05-12	Screw 5/16-18 x 3/4
37	532 42 09-86	Fender
52	873 68 05-00	Nut Lock 5/16-18
58	532 41 22-80	Drawbar Upper
68	817 49 05-08	Screw Thdrol 5/16-18 x 1/2
125	581 68 48-01	Clip Fuel Line
130	532 41 63-58	Screw #10 x 0.750 BOS THREAD
138	532 40 97-30	Cup Holder
146	581 85 79-01	Bolt
150	532 40 89-56	Duct Heat Hood
151	532 18 75-68	Bracket Pivot
152	532 19 95-35	Shield Browning
153	532 44 42-64	Lens Bar
159	817 00 06-12	Screw Hexwsh Thdrol 3/8-16 x 3/4
162	532 14 24-32	Screw 1/4 x 1/2
175	532 19 94-72	Crossmember
176	532 40 07-76	Screw 10-24 x 5/8 Wshd Qdrx
177	532 19 52-28	Bushing Steering
180	532 41 50-63	Chassis
181	532 40 47-96	Bushing Mtg. Fender Crgo.
182	532 40 71-76	Dash Lower
183	874 52 05-20	Bolt 5/16-18 x 1-1/4
189	817 00 05-12	Screw 5/16-18 x 3/4
191	532 41 65-02	Reflector RH
194	873 90 05-00	Nut Lock Hex Flange 5/16-18
196	532 41 45-81	Console Asm. Deck Lift
213	874 76 05-12	Bolt 5/16-18 unc x 3/4
217	532 40 91-67	Rod Pivot Hood
218	532 19 63-95	X-Piece Hood Stop
225	532 44 58-75	Bumper
228	532 19 51-61	Stud Fastener
235	532 40 61-29	Spacer Fender
236	873 93 05-00	Nut Center Lock 5/16-18
237	532 40 37-04	Plug Mount Cargo
287	817 60 04-06	Screw Hex Wash 1/4-20 x 3/8
297	532 40 18-27	Reflector Insert LH
306	873 90 06-00	Nut Lock

NOTE: All component dimensions given in U.S. inches
1 inch = 25.4 mm

**TRACTOR - - MODEL NO. M11597 (96041026600), PRODUCT NO. 960 41 02-66
DRIVE 40**

KEY NO.	PART NO.	DESCRIPTION	KEY NO.	PART NO.	DESCRIPTION
1	---	Transaxle, Peerless 206-565 (197941) (Order parts from trans- axle manufacturer.)	160	532 16 94-84	Retainer Clip
2	532 12 35-83	Key Square	161	532 10 57-09	Spring, Return, Clutch
15	819 13 13-16	Washer 13/32 x 13/16 x 16 Ga.	165	532 19 62-12	Bushing Shaft Brake Hand Control
17	532 19 72-97	Spring, Brake	166	532 42 91-64	Nut Push .625
22	532 19 76-60	Rod Shift	167	532 40 52-57	Latch Brake Parking
23	532 10 69-33	Knob	172	532 19 76-57	Strap Torque LH
26	532 19 74-55	Spring Brake Return	174	532 19 72-89	Nut Push
29	532 19 72-67	Rod, Brake	175	532 19 78-58	Shaft Asm. Shift
33	812 00 00-01	Ring E	176	532 19 62-14	Arm Clevis Rod Shift
35	532 40 10-31	Rod, Brake, Park	178	532 19 74-56	Spring Shift
37	532 12 17-49	Washer 25/32 x 1-1/4 x 16 Ga.	183	532 13 70-57	Spacer Axle
42	532 12 48-72	Cover, Foot Pedal	184	532 44 14-07	Handle Parking
49	872 11 06-14	Bolt	185	872 11 06-22	Bolt
50	532 19 43-27	Pulley Idler Flat	186	532 19 43-21	Spacer Retainer
51	873 90 06-00	Lock Nut 3/8-16	187	819 13 32-10	Washer
52	532 19 43-26	Idler V-Groove	188	532 19 43-23	Link Clutch Ground Drive
56	532 19 43-46	V-Belt, Drive	189	532 19 43-17	Bellcrank Ground Drive
61	532 12 36-66	Pulley Transaxle	190	532 19 43-18	Keeper Bellcrank Ground Drive
64	532 19 62-00	Shaft Asm. Pedal Brake Control	192	532 15 03-60	Nut Lock Center 1/4-28 Fnthd
70	532 41 12-90	Console	193	817 06 05-12	Screw 5/16-18 x 3/4
73	874 49 05-40	Bolt 5/16-18 x 2-1/2 Gr. 5	195	532 19 73-32	Bracket Brake Rod
74	532 14 24-32	Screw 1/4 x 1/2	202	532 19 78-59	Link Transaxle
116	873 90 05-00	Nut Lock Hex Flange 5/16-18	203	819 11 11-16	Washer 11/32 x 11/16 x 16 Ga.
125	817 00 05-12	Screw 5/16-18 x 3/4	205	532 12 17-48	Washer 25/32 x 1-5/8 16 Ga.
134	532 19 78-57	Asm Shift	221	532 40 31-87	Retainer Spring Clip Handle
139	874 55 04-12	Bolt 1/4-28 unF Gr. 8 w/Patch	232	874 78 07-16	Bolt Fin Hex 7/16-14 x 1 Gr. 5
140	810 04 04-00	Washer Lock Hvy Helical 1/4	233	532 40 52-96	Washer Serrated
141	819 09 12-10	Washer 9/32 x 3/4 x 10 Ga.	263	817 00 06-12	Screw 3/8-16 x 3/4
155	812 00 00-28	Ring Retainer	268	532 18 24-02	Guard Muffler
157	532 10 57-01	Washer Plate Shift	275	819 13 16-14	Washer 13/32 x 1 x 14 Ga.
158	532 19 43-52	Belt Keeper			
159	876 02 04-12	Pin Cotter 1/8 x 3/4			

NOTE: All component dimensions given in U.S. inches
1 inch = 25.4 mm



OPTIONAL EQUIPMENT
Spark Arrester

engine-tex_BS_35

**TRACTOR - - MODEL NO. M11597 (96041026600), PRODUCT NO. 960 41 02-66
ENGINE 24**

KEY NO.	PART NO.	DESCRIPTION
1	- - - - -	Engine Briggs Model No. 217807-2391-B1 (431071) (Order parts from engine manufacturer.)
2	532 17 97-58	Muffler
9	532 19 43-19	Keeper Belt Engine
12	532 40 19-85	Pulley Engine
15	532 40 75-45	Tank Fuel
18	532 43 02-20	Cap Fuel
20	532 18 38-97	Control Throttle
21	532 41 63-58	Screw #10 x 0.75 BOS Thread
22	532 41 17-25	Control Choke
28	532 13 70-40	Fuel Line
29	532 13 71-80	Spark Arrester Kit
37	532 12 34-87	Clamp Hose
42	810 04 07-00	Bolt 5/16-18 unc x 3/4 w/Sems
45	873 51 04-00	Nut Keps Hex 1/4-20 unc
69	532 16 52-91	Gasket
79	532 19 23-34	Screw 5/16-18 x .75
84	817 06 06-20	Screw 3/8-16 x 1-1/4
85	532 17 39-37	Bolt Hex 7/16-20 x 4 Gr. 5
90	817 00 06-16	Screw 3/8-16 x 1
96	819 09 14-16	Washer 9/32 x 7/8 x 16 Ga.
97	817 67 04-12	Screw 1/4 - 20 x 3/4
122	532 42 19-22	Extension Drain Oil

NOTE: All component dimensions given in U.S. inches
1 inch = 25.4 mm

Engine Power Rating Information

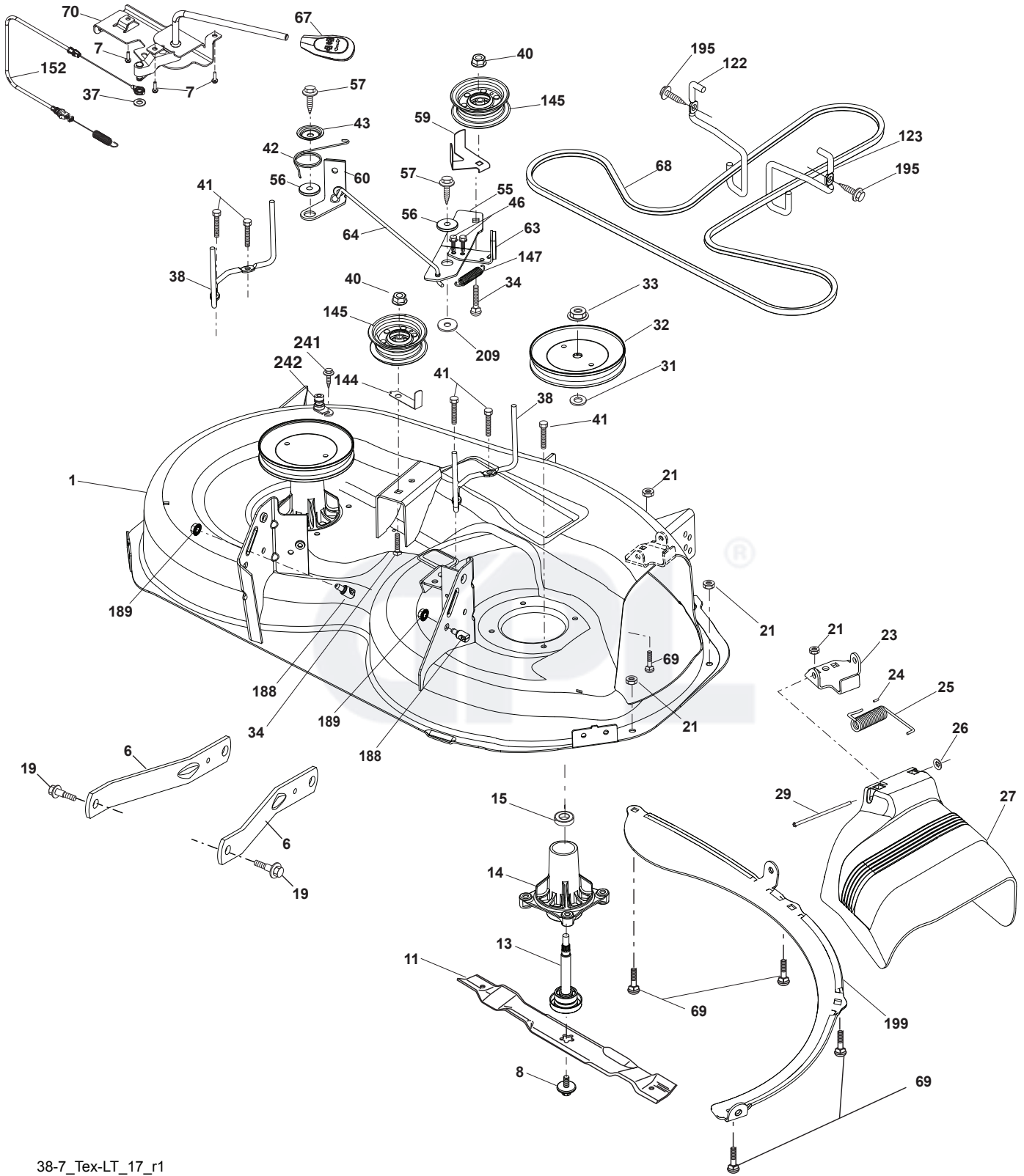
The gross power rating for individual gas engine models is labeled in accordance with SAE (Society of Automotive Engineers) code J1940 (Small Engine Power & Torque Rating Procedure), and rating performance has been obtained and corrected in accordance with SAE J1995 (Revision 2002-05). Torque values are derived at 3060 RPM; horsepower values are derived at 3600 RPM. Actual gross engine power will be lower and is affected by, among other things, ambient operating conditions and engine-to-engine variability. Given both the wide array of products on which engines are placed and the variety of environmental issues applicable to operating the equipment, the gas engine will not develop the rated gross power when used in a given piece of power equipment (actual "on-site" or net power). This difference is due to a variety of factors including, but not limited to, accessories (air cleaner, exhaust, charging, cooling, carburetor, fuel pump, etc.), application limitations, ambient operating conditions (temperature, humidity, altitude), and engine-to-engine variability. Due to manufacturing and capacity limitations, Briggs & Stratton may substitute an engine of higher rated power for this Series engine.

**TRACTOR - - MODEL NO. M11597 (96041026600), PRODUCT NO. 960 41 02-66
STEERING ASSEMBLY 41**

KEY NO.	PART NO.	DESCRIPTION
1	532 42 45-43	Wheel, Steering
2	532 41 81-68	Axle Asm., Front
4	532 40 30-87	Spindle Asm., LH
5	532 40 30-88	Spindle Asm., RH
6	532 12 49-31	Bearing, Race Thrust Harden
7	532 12 17-48	Washer 25/32 x 1-5/8 x 16 Ga.
8	812 00 00-29	Ring, Klip #T5304-75
9	532 12 12-32	Cap, Spindle
13	532 12 17-49	Washer 25/32 x 1-1/4 x 16 Ga.
14	810 04 06-00	Washer, Lock Hvy Hlcl Spr 3/8
15	873 54 06-00	Nut, Crown Lock 3/8-24 unf
16	532 42 93-73	Shaft Steering
19	532 19 47-29	Plate Steering
20	532 40 97-63	Boot, Steering
21	532 18 67-37	Adapter, Wheel Steering
22	532 42 05-37	Steering Support Lower
26	532 42 41-47	Wheel Steering Cap
28	817 00 06-12	Screw 3/8-16 x 3/4
33	810 04 05-00	Washer Lock 5/16
35	532 19 47-32	Gear, Sector Plate
45	819 11 38-12	Washer 11/32 x 3/8 x 12 Ga.
53	532 18 89-67	Washer Hardened .793 x 1.637 x .060
57	532 40 74-65	Bracket Upstop
58	532 19 47-47	Bolt Shoulder Sector Pivot CFM
59	532 19 47-48	Washer Thrust Sector Steering
60	873 97 10-00	Nut Flange Lock 5/8-11
61	532 19 47-40	Draglink, LH
62	532 19 47-41	Draglink, RH
63	817 00 05-12	Screw 5/16-18 x 3/4
64	532 19 98-49	Retainer Clip Spring Steering
66	871 02 07-48	Bolt Hex Fghd 7/16-14 x 3 Serr
67	532 19 47-37	Bushing PM Front Axle
68	873 90 07-00	Nut Lock Flange 7/16-14 Gr. 5
69	532 19 91-62	Washer 1.5 x .505 x .118
70	532 19 61-97	Bracket Deck Susp. Front
71	532 19 07-52	Shaft Extension Steering
72	532 42 89-82	Bolt Fin Hex 5/16-18 x 4 w/Patch
74	532 12 49-37	Bearing Steering
122	532 44 49-62	Cap Gear Sector

NOTE: All component dimensions given in U.S. inches
1 inch = 25.4 mm

TRACTOR - - MODEL NO. M11597 (96041026600), PRODUCT NO. 960 41 02-66
MOWER DECK **44**



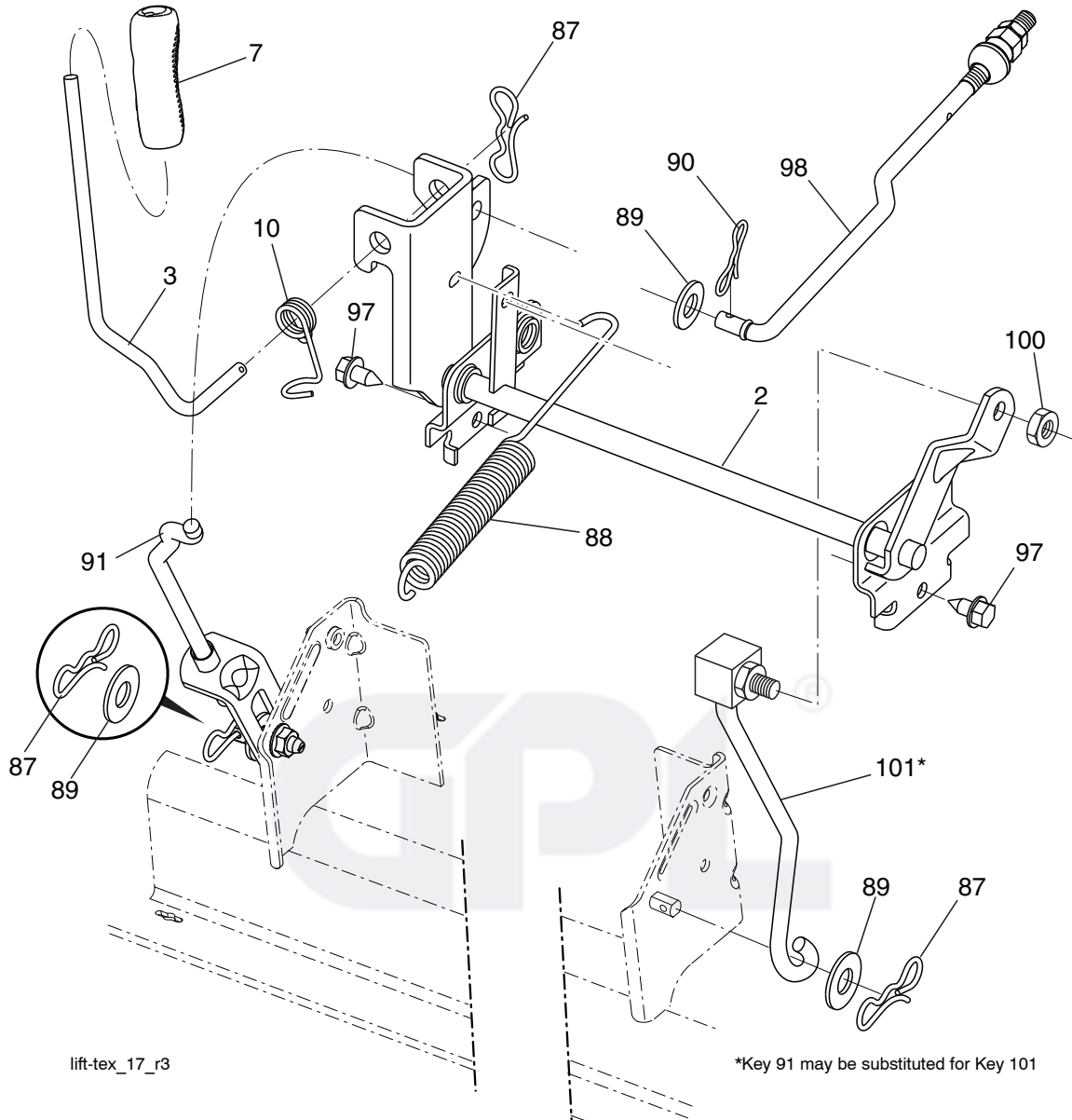
38-7_Tex-LT_17_r1

**TRACTOR - - MODEL NO. M11597 (96041026600), PRODUCT NO. 960 41 02-66
MOWER DECK 44**

KEY NO.	PART NO.	DESCRIPTION	KEY NO.	PART NO.	DESCRIPTION
1	532 19 42-51	Mower Housing	60	532 19 94-71	Arm Brake Mower
6	532 19 51-86	Arm Suspension	63	532 19 94-70	Arm Brake Mower
7	532 41 63-58	Screw #10 x 0.750 BOS Thread	64	532 19 97-90	Link Brake
8	532 19 30-03	Bolt/Washer Asm 7/16-20 unf	67	532 40 97-92	Handle Clutch Cable
11	532 19 39-57	Blade	68	532 40 83-81	V-Belt
13	532 19 28-72	Shaft Assembly, Mandrel	69	872 14 05-05	Bolt
14	532 18 72-81	Housing, Mandrel	70	532 40 12-46	Clutch Asm Manual
15	532 11 04-85	Bearing, Ball, Mandrel	122	532 19 72-58	Keeper Belt Engine LH
19	532 19 65-39	Bolt, Shoulder	123	532 19 72-59	Keeper Belt Engine RH
21	873 68 05-00	Nut, Crownlock 5/16-18 unc	144	532 19 34-14	Keeper Belt
23	532 19 25-57	Bracket, Deflector	145	532 19 31-97	Pulley, Idler, Flat
24	532 10 53-04	Cap, Sleeve	147	532 40 18-72	Spring Return
25	532 19 70-26	Spring, Torsion, Deflector	152	532 43 51-11	Manual Clutch Cable
26	532 11 04-52	Nut, Push	188	532 19 51-61	Stud Fastener
27	532 40 14-72	Shield, Deflector	189	873 90 05-00	Nut Lock Hex Flange
29	532 13 14-91	Rod, Hinge	195	817 00 06-12	Screw 3/8-16 x 3/4
31	532 18 76-90	Washer, Spacer	199	532 40 00-95	Baffle Vortex
32	532 19 97-89	Pulley, Mandrel	209	819 13 32-10	Washer 13/32 x 2 x 10
33	532 40 02-34	Nut, Toplock, Flanged	241	532 15 29-27	Screw
34	872 11 06-12	Bolt Carr Sh. 3/8-16 x 1-1/2 Gr. 5	242	532 41 55-98	Port Washout
37	819 13 13-16	Washer	--	532 19 28-70	Mandrel Assembly (Includes housing, shaft assembly, and bearing only - pulley/nut/washer and blade bolt/washers not included)
38	532 19 95-41	Keeper Belt LH Mandrel	--	532 43 15-60	Replacement Mower, Complete
40	873 90 06-00	Nut, Lock Flg. 3/8-16 unc			
41	584 95 39-01	Bolt Hex Wshr			
42	532 19 84-10	Spring Torsion Brake			
43	532 19 72-56	Spring Torsion Retainer			
46	532 13 77-29	Screw 1/4-20 x 5/8			
55	532 19 72-49	Arm, Idler			
56	532 19 90-92	Spacer, Retainer			
57	817 00 06-16	Screw 3/8-16 x 1			
59	532 14 10-43	Guard, Tuv Idler			

NOTE: All component dimensions given in U.S. inches
1 inch = 25.4 mm

TRACTOR - - MODEL NO. M11597 (96041026600), PRODUCT NO. 960 41 02-66
MOWER LIFT 45

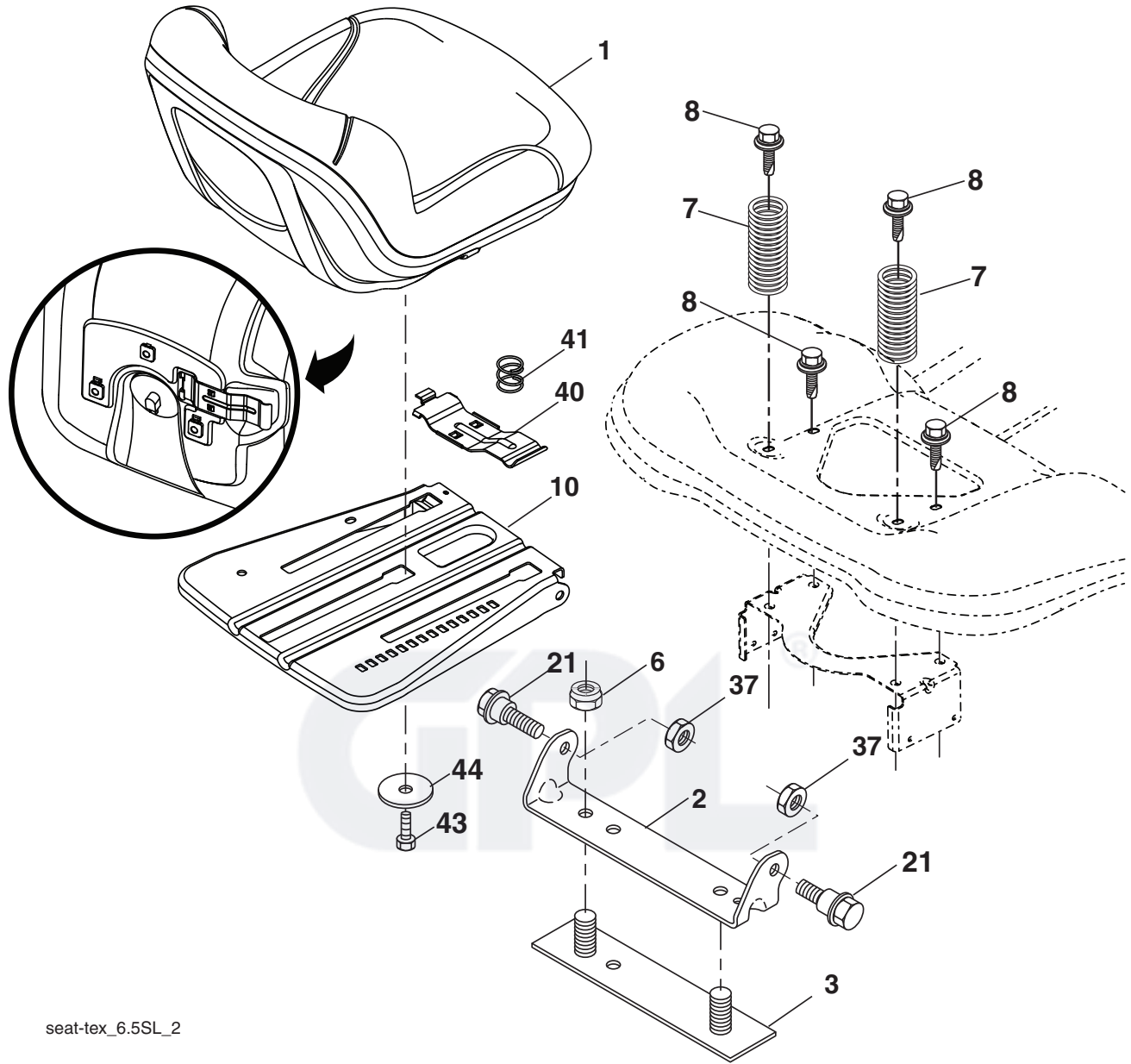


KEY NO.	PART NO.	DESCRIPTION
2	532 42 20-27	Shaft Asm., Cross Lift
3	532 19 52-31	Lever Asm., Lift RH
7	580 96 23-01	Grip, Lever
10	532 19 63-14	Spring Torsion
87	532 19 42-09	Pin Cotter 7/16 Bow Tie Lock
88	532 41-07-10	Spring Lift Assist
89	819 19 19-12	Washer Clear Zinc
90	532 19 42-08	Pin Cotter 5/16 Bow Tie Lock

KEY NO.	PART NO.	DESCRIPTION
91	532 19 51-81	Link Lift Susp Mower Rear
97	817 00 06-12	Screw 3/8-16 x .75 Smgml Tap/R.Z
98	532 19 52-70	Link Lift Susp. Front Mower
100	873 93 06-00	Nut Centerlock 3/8-16
101	532 40-70-03	Link Asm. Lift FXD

NOTE: All component dimensions given in U.S. inches
 1 inch = 25.4 mm

**TRACTOR - - MODEL NO. M11597 (96041026600), PRODUCT NO. 960 41 02-66
SEAT ASSEMBLY 42**



seat-tex_6.5SL_2

KEY NO.	PART NO.	DESCRIPTION
1	532 41 14-05	Seat
2	532 18 01-66	Bracket Pivot Fender
3	532 14 06-75	Strap, Asm Fender
6	873 80 06-00	Nut, Lock w/Ins. 3/8-16 unc
7	532 12 41-81	Spring, Seat Cprsn
8	532 17 18-77	Bolt 5/16-18 unc x 3/4 w/Sems
10	532 19 69-77	Pan, Seat
21	532 17 18-52	Bolt, Shoulder 5/16-18

KEY NO.	PART NO.	DESCRIPTION
37	873 80 05-00	Nut, Lock 5/16-18 unc
40	532 19 76-61	Handle Slide Seat
41	532 19 82-00	Spring Latch Seat
43	874 76 06-12	Bolt Hex 3/8-16 x 3/4
44	819 13 38-12	Washer 13/32 x 2-3/8 x 12 Ga.

NOTE: All component dimensions given in U.S. inches
1 inch = 25.4 mm

